

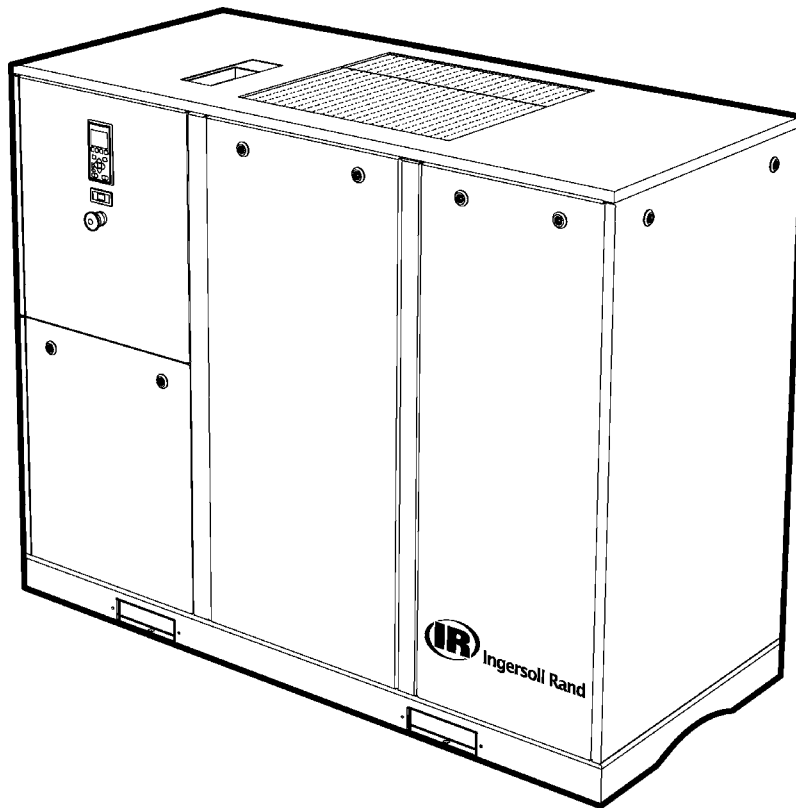


Ingersoll Rand

IRN 15 – 18.5 kW (20 – 25 HP)

IRN 22 – 30 kW (30 – 40 HP)

OPERATION AND MAINTENANCE MANUAL



Ensure that the operator reads and *understands* the decals and consults the manuals before maintenance or operation.

Ensure that the Operation and Maintenance manual is not removed permanently from the machine.

Ensure that maintenance personnel are adequately trained, competent and have read the Maintenance Manuals.

C.C.N. : 80445364

REV. : A

DATE : OCTOBER 2008

AIR COMPRESSOR GROUP BONDED WARRANTY & REGISTERED START UP

Warranty

The Company warrants that the equipment manufactured by it and delivered hereunder will be free of defects in material and workmanship for a period of twelve months from the date of placing the Equipment in operation or eighteen months from the date of shipment from the factory, whichever shall first occur. The Purchaser shall be obligated to promptly report any failure to conform to this warranty, in writing to the Company in said period, whereupon the Company shall, at its option, correct such nonconformity, by suitable repair to such equipment or, furnish a replacement part F.O.B. point of shipment, provided the Purchaser has stored, installed, maintained and operated such Equipment in accordance with good industry practices and has complied with specific recommendations of the Company. Accessories or equipment furnished by the Company, but manufactured by others, shall carry whatever warranty the manufacturers have conveyed to the Company and which can be passed on to the Purchaser. The Company shall not be liable for any repairs, replacements, or adjustments to the Equipment or any costs of labor performed by the Purchaser or others without Company's prior written approval.

The effects of corrosion, erosion and normal wear and tear are specifically excluded. Performance warranties are limited to those specifically stated within the Company's proposal. Unless responsibility for meeting such performance warranties are limited to specified tests, the Company's obligation shall be to correct in the manner and for the period of time provided above.

THE COMPANY MAKES NO OTHER WARRANTY OR REPRESENTATION OF ANY KIND WHATSOEVER, EXPRESSED OR IMPLIED, EXCEPT THAT OF TITLE, AND ALL IMPLIED WARRANTIES OF MERCHANTABILITY AND FITNESS FOR A PARTICULAR PURPOSE, ARE HEREBY DISCLAIMED.

Correction by the Company of nonconformities whether patent or latent, in the manner and for the period of time provided above, shall constitute fulfillment of all liabilities of the Company for such nonconformities whether based on contract, warranty negligence, indemnity, strict liability or otherwise with respect to or arising out of such Equipment.

The purchaser shall not operate Equipment which is considered to be defective, without first notifying the Company in writing of its intention to do so. Any such use of Equipment will be at Purchaser's sole risk and liability.

Note that this is Ingersoll Rand standard warranty. Any warranty in force at the time of purchase of the compressor or negotiated as part of the purchase order may take precedence over this warranty.

Register on-line at <http://air.ingersollrand.com>

Ingersoll Rand
Industrial Air Solutions
Swan Lane
Hindley Green
Wigan WN2 4EZ

Ingersoll Rand Asia Pacific
C/O Ingersoll Rand South East Asia (Pte) Ltd.
42 Benoi Road
Singapore 629903

Ingersoll Rand
Industrial Air Solutions
P.O. Box 1840
800-D Beaty Street
Davidson, NC 28036



CONTENTS

1	CONTENTS
2	FOREWORD
3	DECALS
8	SAFETY
10	GENERAL INFORMATION
16	INSTALLATION / HANDLING
28	OPERATING INSTRUCTIONS
33	MAINTENANCE
37	TROUBLE SHOOTING

ABBREVIATIONS & SYMBOLS

####	Contact Ingersoll Rand for serial number
->####	Up to Serial No.
####->	From Serial No.
*	Not illustrated
†	Option
NR	Not required
AR	As required
SM	Sitemaster/Sitepack
HA	High ambient machine
WC	Watercooled machine
AC	Aircooled machine
ERS	Energy recovery system
T.E.F.C.	Totally enclosed fan cooled motor (IP54)
O.D.P.	Open drip proof (motor)
ppm	parts per million

2 FOREWORD

The contents of this manual are considered to be proprietary and confidential to Ingersoll Rand and should not be reproduced without the prior written permission of Ingersoll Rand.

Nothing contained in this document is intended to extend any promise, warranty or representation, expressed or implied, regarding the Ingersoll Rand products described herein. Any such warranties or other terms and conditions of sale of products shall be in accordance with the standard terms and conditions of sale for such products, which are available upon request.

This manual contains instructions and technical data to cover routine operation and scheduled maintenance tasks by operation and maintenance staff. Major overhauls are outside the scope of this manual and should be referred to an authorised Ingersoll Rand service department.

The design specification of this machine has been certified as complying with E.C. directives. Any modification to any part is absolutely prohibited and would result in the CE certification and marking being rendered invalid.

All components, accessories, pipes and connectors added to the compressed air system should be:

- of good quality, procured from a reputable manufacturer and, wherever possible, be of a type approved by Ingersoll Rand.
- clearly rated for a pressure at least equal to the machine maximum allowable working pressure.
- compatible with the compressor lubricant/coolant.
- accompanied with instructions for safe installation, operation and maintenance.

Details of approved equipment are available from Ingersoll Rand Service departments.

The use of non-genuine spare repair parts other than those included within the Ingersoll Rand approved parts list may create hazardous conditions over which Ingersoll Rand has no control. Therefore Ingersoll Rand does not accept any liability for losses caused by equipment in which non-approved repair parts are installed. Standard warranty conditions may be affected.

Ingersoll Rand reserves the right to make changes and improvements to products without notice and without incurring any obligation to make such changes or add such improvements to products sold previously.

The intended uses of this machine are outlined below and examples of unapproved usage are also given, however Ingersoll Rand cannot anticipate every application or work situation that may arise.

IF IN DOUBT CONSULT SUPERVISION.

This machine has been designed and supplied for use only in the following specified conditions and applications:

- Compression of normal ambient air containing no known or detectable additional gases, vapours, or particles
- Operation within the ambient temperature range specified in the *GENERAL INFORMATION* section of this manual.

The use of the machine in any of the situation types listed in table 1:-

- a) Is not approved by Ingersoll Rand,**
- b) May impair the safety of users and other persons, and**
- c) May prejudice any claims made against Ingersoll Rand.**

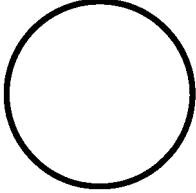
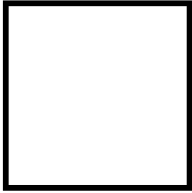


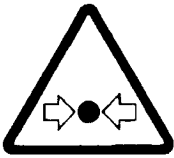

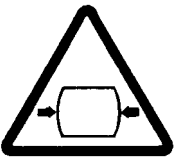



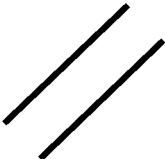








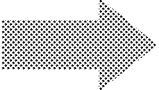
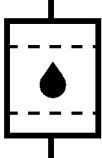
TABLE 1

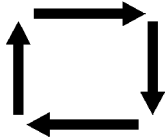
Use of the machine to produce compressed air for: a) direct human consumption b) indirect human consumption, without suitable filtration and purity checks.
Use of the machine outside the ambient temperature range specified in the <i>GENERAL INFORMATION SECTION</i> of this manual.
Use of the machine where there is any actual or foreseeable risk of hazardous levels of flammable gases or vapours. THIS MACHINE IS NOT INTENDED AND MUST NOT BE USED IN POTENTIALLY EXPLOSIVE ATMOSPHERES, INCLUDING SITUATIONS WHERE FLAMMABLE GASES OR VAPOURS MAY BE PRESENT.
Use of the machine fitted with <i>non Ingersoll Rand approved components</i> .
Use of the machine with safety or control components missing or disabled.

The company accepts no responsibility for errors in translation of this manual from the original English version.

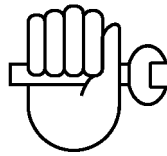
© COPYRIGHT 2008
INGERSOLL RAND COMPANY LIMITED

ISO SYMBOLS**GRAPHIC FORM AND MEANING OF ISO SYMBOLS**

 Prohibition / Mandatory	 Information / Instructions	 Warning
 WARNING: Electrical shock risk.	 WARNING - Pressurised vessel.	 WARNING - Hot surface.
 WARNING - Pressurised component or system.	 WARNING - Air/gas flow or Air discharge.	 Do not breathe the compressed air from this machine.
 Use fork lift truck from this side only.	 RESET	 Do not use fork lift truck from this side.
 Emergency stop.	 On (power).	 Off (power).
 Read the Operation and Maintenance manual before operation or maintenance of this machine is undertaken.	 Do not operate the machine without the guard being fitted.	 Lifting point.
 ROTATION	 AIR DISCHARGE	 COOLANT FILTER



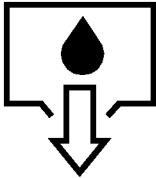
AUTOMATIC RESTART



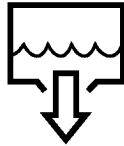
MAINTENANCE



MAINTENANCE PROHIBITED



COOLANT DRAIN



CONDENSATE DRAIN



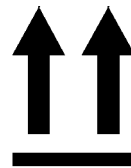
FILTER



FRAGILE



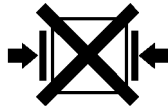
KEEP DRY



THIS WAY UP



USE NO HOOKS



NO SIDE CLAMPS



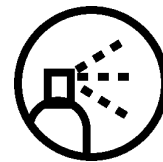
HOURS



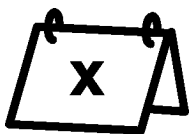
POWER



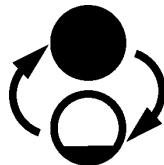
INSPECT



CLEAN



Every X months, if sooner than required by operating hours



CHANGE / REPLACE



Pinch point hazard.
Keep hands clear.



POWER INLET (AC)

ANSI SYMBOLS**GRAPHIC FORM AND MEANING OF ANSI SYMBOLS****DANGER**

INTAKE AIR. Can contain carbon monoxide or other contaminants. Will cause serious injury or death. Ingersoll Rand air compressors are not designed, intended or approved for breathing air. Compressed air should not be used for breathing air applications unless treated in accordance with all applicable codes and regulations.

**WARNING**

HAZARDOUS VOLTAGE. Can cause serious injury or death. Disconnect power and bleed pressure from tank before servicing. Lockout/Tagout machine. Compressor must be connected to properly grounded circuit. See Grounding Instructions in manual. Do not operate compressor in wet conditions. Store indoors.



RISK OF FIRE OR EXPLOSION. Electrical arcing from compressor components can ignite flammable liquids and vapors which can result in serious injury. Never operate the compressor near flammable liquids or vapors. If used to spray flammable materials, keep compressor at least 20ft (6m) away from the spray area.



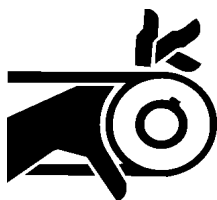
HIGH PRESSURE AIR. Rusted tanks can cause explosion and severe injury or death. Receiver under pressure. Operator should relieve tank pressure before performing maintenance. In addition to automatic drain, operate manual drain valve weekly. Manual drain valve located at bottom of the tank.



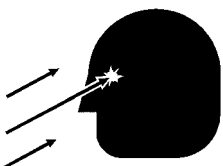
MOVING PARTS. Can cause serious injury. Do not operate with guards removed. Machine may start automatically. Disconnect power before servicing. Lockout/Tagout machine.



HOT SURFACES. Can cause serious injury. Do not touch. Allow to cool before servicing. Do not touch hot compressor or tubing.



EXPOSED MOVING BELTS AND SHEAVES.
Can cause severe injury or death.
Do not operate without guard in place. Disconnect power before servicing.
Lockout/Tagout machine.

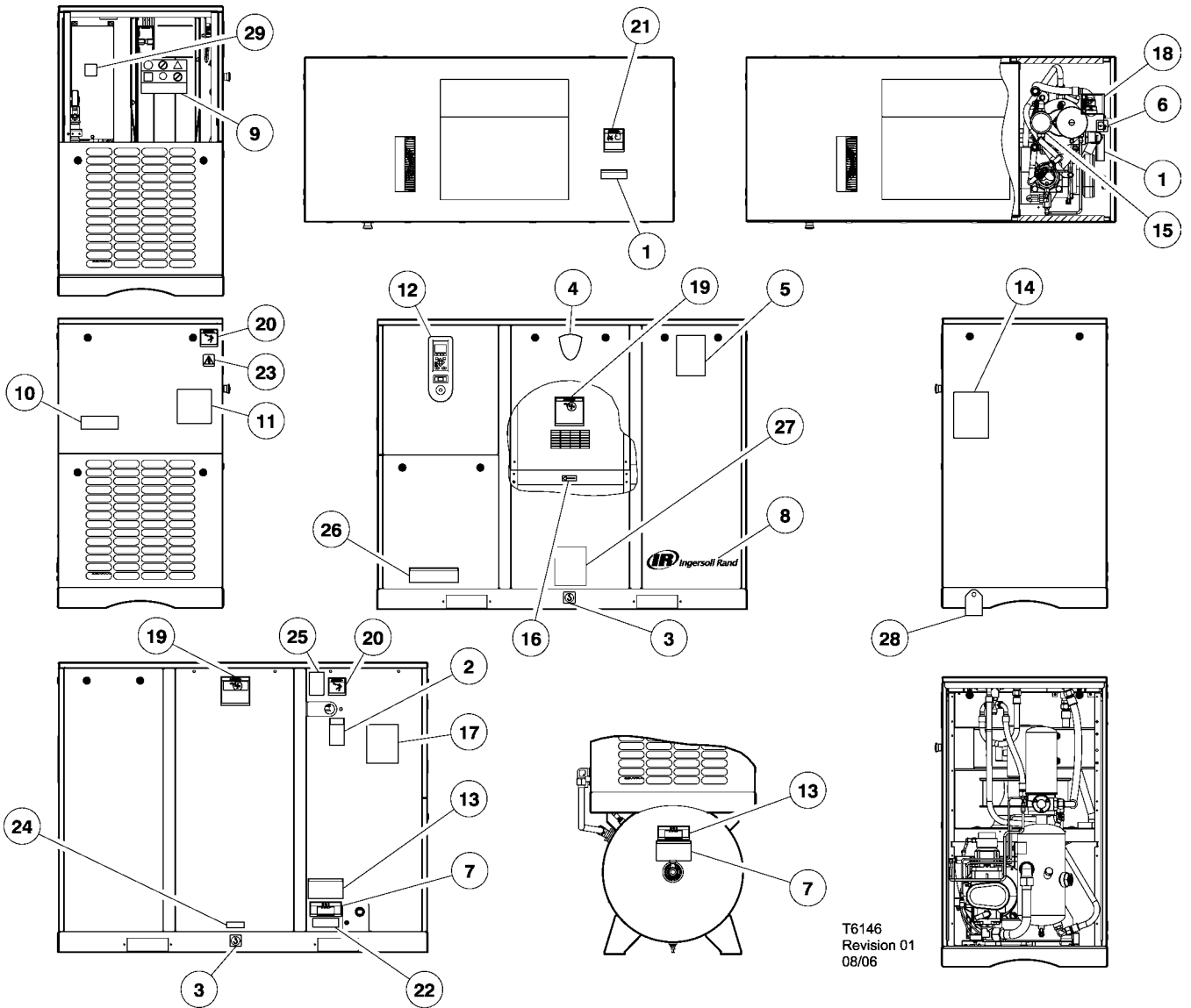


Air flow exhaust may contain flying debris.
Safety protection should be worn at all times.

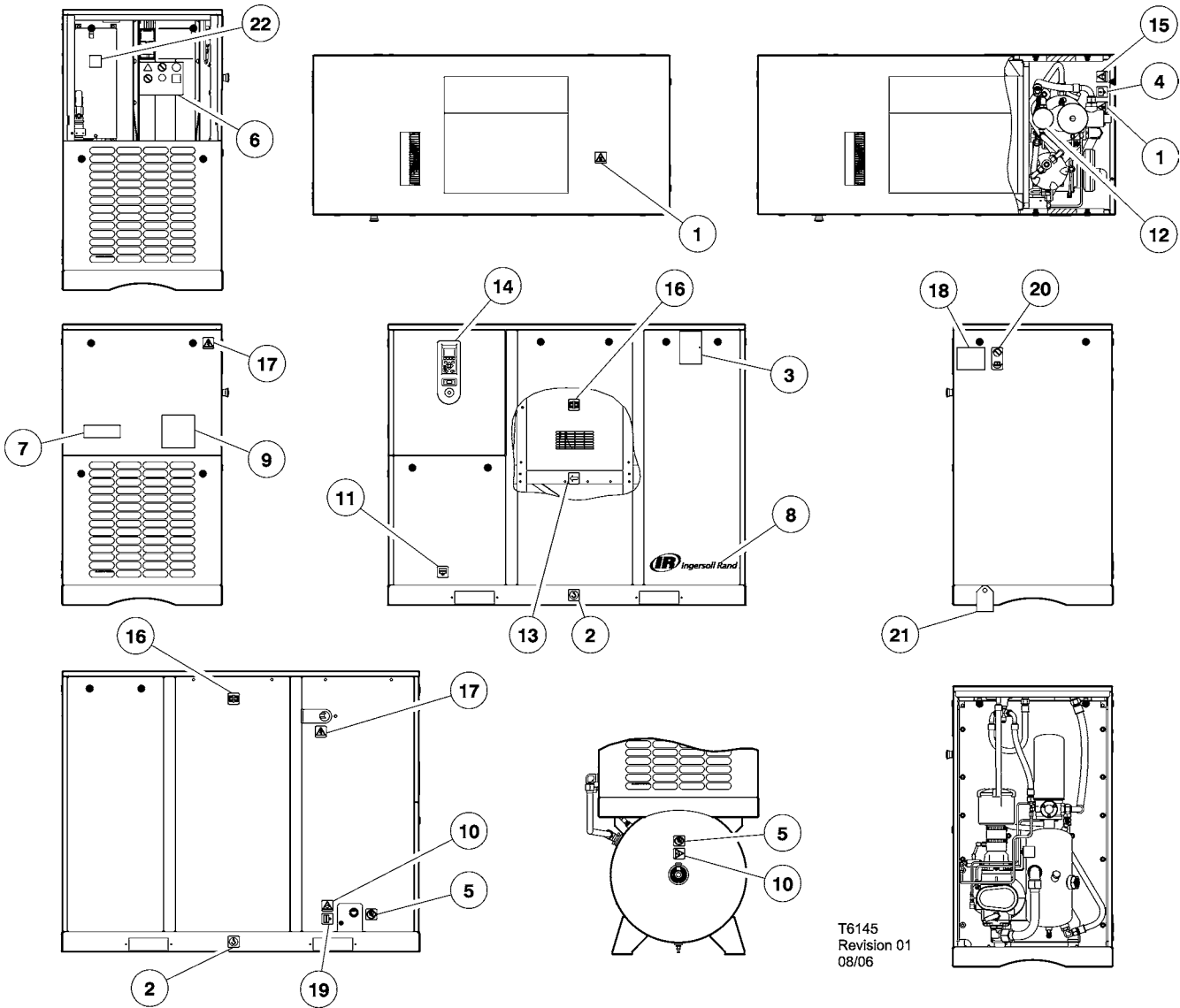


Pinch point hazard.
Keep hands clear.

6 DECALS (A.N.S.I.)



Item	ccn	Qty.	Description	Item	ccn	Qty.	Description
1	32343584	2	Decal, warning hot surface	16	30286686	1	Decal, rotation arrow notice
2	32343907	1	Decal, lock and tag out	17	22794739	1	Decal, electric schematic
3	93171262	2	Decal, lift here	18	32343527	1	Decal, warning high pressure
4	81295990	1	Decal, air shield USA	19	32343550	2	Decal, warning exposed fan
5	22064562	1	Decal, aircare	20	32343568	2	Decal, warning hazardous voltage
6	93166460	1	Decal, coolant drain	21	32343899	1	Decal, warning flying debris
7	32343519	2	Decal, danger contaminated air	22	22181663	1	Decal, drain
8	22806897	1	Decal, Ingersoll Rand logo	23	92930593	1	Decal, electric shock
9	22066302	1	Decal, fifteen minutes before service	24	32276321	1	Decal, california safety order decal
10	22814545	1	Decal, dryer bypass valve	25	22394381	1	Decal, power inlet
11	-	1	Decal, model number	26	32343576	1	Decal, auto drain (Tank mount only)
12	22806871	1	Decal, facia	27	22547145	1	Decal, total air system (Dryer models only)
13	32343543	2	Decal, notice air discharge	28	22923015	1	Tag, shipping
14	23353238	1	Decal, maintenance schedule	29	-	1	Decal, voltage
15	93166502	1	Decal, replacement filter element				



T6145
Revision 01
08/06

Item	ccn	Qty.	Description	Item	ccn	Qty.	Description
1	92867530	2	Decal, hot surface	11	93166478	1	Decal, auto drain
2	93171262	2	Decal, lift here (Base mount only)	12	93166502	1	Decal, replacement filter element
3	22062319	1	Tag, air care do you know	13	93165983	1	Decal, rotation arrow notice
4	93166460	1	Decal, coolant drain	14	22806871	1	Decal, fascia
5	92867407	2	Decal, do not inhale	15	92930585	1	Decal, warning pressurized vessel
6	22066302	1	Decal, fifteen minutes before service	16	93165959	2	Decal, use guards when running
7	22814545	1	Decal, dryer bypass valve	17	92930593	2	Decal, electric shock
	22539431	1	Decal, control panel Non-dryer packages	18	22816797	1	Decal, maintenance schedule
8	16543464	1	Decal, Ingersoll Rand logo	19	93166478	1	Decal, condensate drain
9	-	1	Decal, model number	20	92930668	1	Decal, no maintenance before referring manual
10	92867498	2	Decal, air discharge	21	22923015	1	Tag, shipping
				22	-	1	Decal, voltage

DANGER!

Hazard that **WILL** cause **DEATH, SEVERE INJURY** or substantial property damage if ignored. Instructions must be followed precisely to avoid injury or death.

WARNING!

Hazard that **CAN** cause **DEATH, SEVERE INJURY** or substantial property damage if ignored. Instructions which must be followed precisely to avoid injury or death.

CAUTIONS!

Cautions call attention to instructions which must be followed precisely to avoid damaging the product, process or its surroundings.

NOTES

Notes are used for supplementary information.

BREATHING AIR PRECAUTION

Ingersoll Rand air compressors are not designed, intended or approved for breathing air. Compressed air should not be used for breathing air applications unless treated in accordance with all applicable codes and regulations.

General Information

Ensure that the operator reads and *understands* the decals and consults the manuals before maintenance or operation.

Ensure that the Operation and Maintenance manual is not removed permanently from the machine.

Ensure that maintenance personnel are adequately trained, competent and have read the Maintenance Manuals.

Do not point air nozzles or sprayers toward anyone.

Compressed air and electricity can be dangerous. Before undertaking any work on the compressor, ensure that the electrical supply has been isolated and the compressor has been relieved of all pressure.

Wear eye protection when operating or servicing compressor.

All persons positioned near to operating machinery should be equipped with hearing protection and given instructions on its use in accordance with workplace safety legislation.

Make sure that all protective covers are in place and that the canopy/doors are closed during operation.

The specification of this machine is such that the machine is not suitable for use in flammable gas risk areas.

Installation of this compressor must be in accordance with recognised electrical codes and any local Health and Safety Codes.

The use of plastic bowls on line filters can be hazardous. Their safety can be affected by either synthetic lubricants, or the additives used in mineral oils. Ingersoll Rand recommends that only filters with metal bowls should be used on a pressurised system.

Compressed air

Compressed air can be dangerous if incorrectly handled. Before doing any work on the unit, ensure that all pressure is vented from the system and that the machine cannot be started accidentally.

WARNING

Imposing a normal or emergency stop on the compressor will only relieve pressure upstream of the minimum pressure valve on top of the separator tank. If maintenance work is required downstream of this valve, ensure that all pressure is relieved at the process vent point external to the compressor

Ensure that the machine is operating at the rated pressure and that the rated pressure is known to all relevant personnel.

All air pressure equipment installed in or connected to the machine must have safe working pressure ratings of at least the machine rated pressure.

en

If more than one compressor is connected to one common downstream plant, effective isolation valves must be fitted and controlled by work procedures, so that one machine cannot accidentally be pressurised / over pressurised by another.

Compressed air must not be used for a direct feed to any form of breathing apparatus or mask.

The discharged air contains a very small percentage of compressor lubricant and care should be taken to ensure that downstream equipment is compatible.

If the discharged air is to be ultimately released into a confined space, adequate ventilation must be provided.

When using compressed air always use appropriate personal protective equipment.

All pressure containing parts, especially flexible hoses and their couplings, must be regularly inspected, be free from defects and be replaced according to the Manual instructions.

Compressed air can be dangerous if incorrectly handled. Before doing any work on the unit, ensure that all pressure is vented from the system and that the machine cannot be started accidentally.

Avoid bodily contact with compressed air.

All safety valves located in the separator tank must be checked periodically for correct operation.

Do not over-pressurize the receiver tank or similar vessels beyond design limits.

Do not use a receiver tank or similar vessels that fail to meet the design requirements of the compressor. Contact your distributor for assistance.

Do not drill into, weld or otherwise alter the receiver tank or similar vessels.

Before servicing the unit, vent pressure before removing the power to ensure that the gauge reads zero pressure.

Materials

The following substances are used in the manufacture of this machine and *may* be hazardous to health if used incorrectly:

- . preservative grease
- . rust preventative
- . compressor coolant
- . refrigerant

AVOID INGESTION, SKIN CONTACT AND INHALATION OF FUMES**Transport**

When loading or transporting machines ensure that the specified lifting and tie down points are used.

Lifting equipment must be properly rated for the weight of the compressor.

Do not work on or walk under the compressor while it is suspended.

Electrical

Keep all parts of the body and any hand-held tools or other conductive objects, away from exposed live parts of the electrical system. Maintain dry footing, stand on insulating surfaces and do not contact any other portion of the compressor when making adjustments or repairs to exposed live parts of the electrical system.

WARNING

Any electrical connections or adjustments should only be made by a suitably qualified electrician

Close and lock all access doors when the compressor is left unattended.

Do not use extinguishers intended for Class A or Class B fires on electrical fires. Use only extinguishers suitable for class *BC* or class *ABC* fires.

Attempt repairs only in clean, dry, well lighted and ventilated areas.

Connect the compressor only to electrical systems that are compatible with its electrical characteristics and that are within its rated capacity.

Condensate disposal

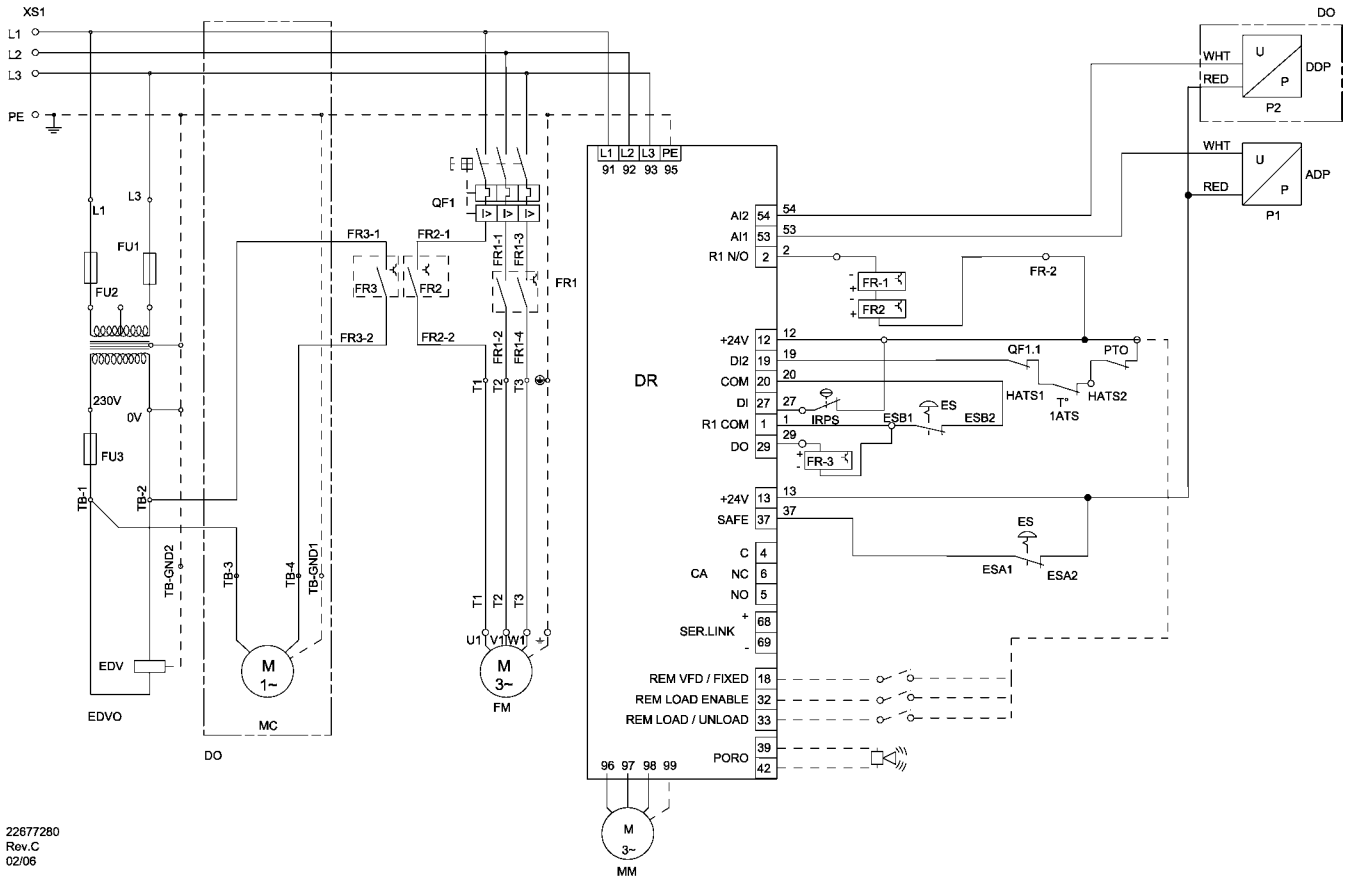
As waste water regulations vary by country and region it is the responsibility of the user to establish the limitations and regulations in their particular area. Ingersoll Rand and its associated distributors are happy to advise and assist in these matters.

For further information, consult Material Data Sheets CPN 88303979 for ULTRA Coolant.

The above information contains data supplied in support of United Kingdom *Control of Substances Hazardous to Health* (C.O.S.H.H.) regulations.

10 GENERAL INFORMATION

TN, TT, IT 3+PE. 380–460V, 50Hz/60Hz.



22677280
Rev.C
02/06

KEY

XS1	Main terminals	WHT	White
QF1	Fan motor starter	RED	Red
QF1.1	Auxiliary contact	DDP	Dryer discharge pressure (Dryer option)
FU3	Transformer secondary fuse	ADP	Aftercooler discharge pressure
FU1, 2	Transformer primary fuses		
FR1	Solid state relay		
FR2	Solid state relay		
FR3	Solid state relay		
EDV	Electric drain valve		
DR	Variable speed drive		
MM	Main motor		
FM	Blower motor		
MC	Dryer motor		
ES	Emergency stop		
1ATS	High air temperature switch		
1RPS	Dryer refrigeration pressure switch		
PTO	Thermistor, motor winding temp.		
P1, P2	Pressure transducer		
EDVO	Electronic drain valve option		
DO	Dryer option		
CA	Common alarm		

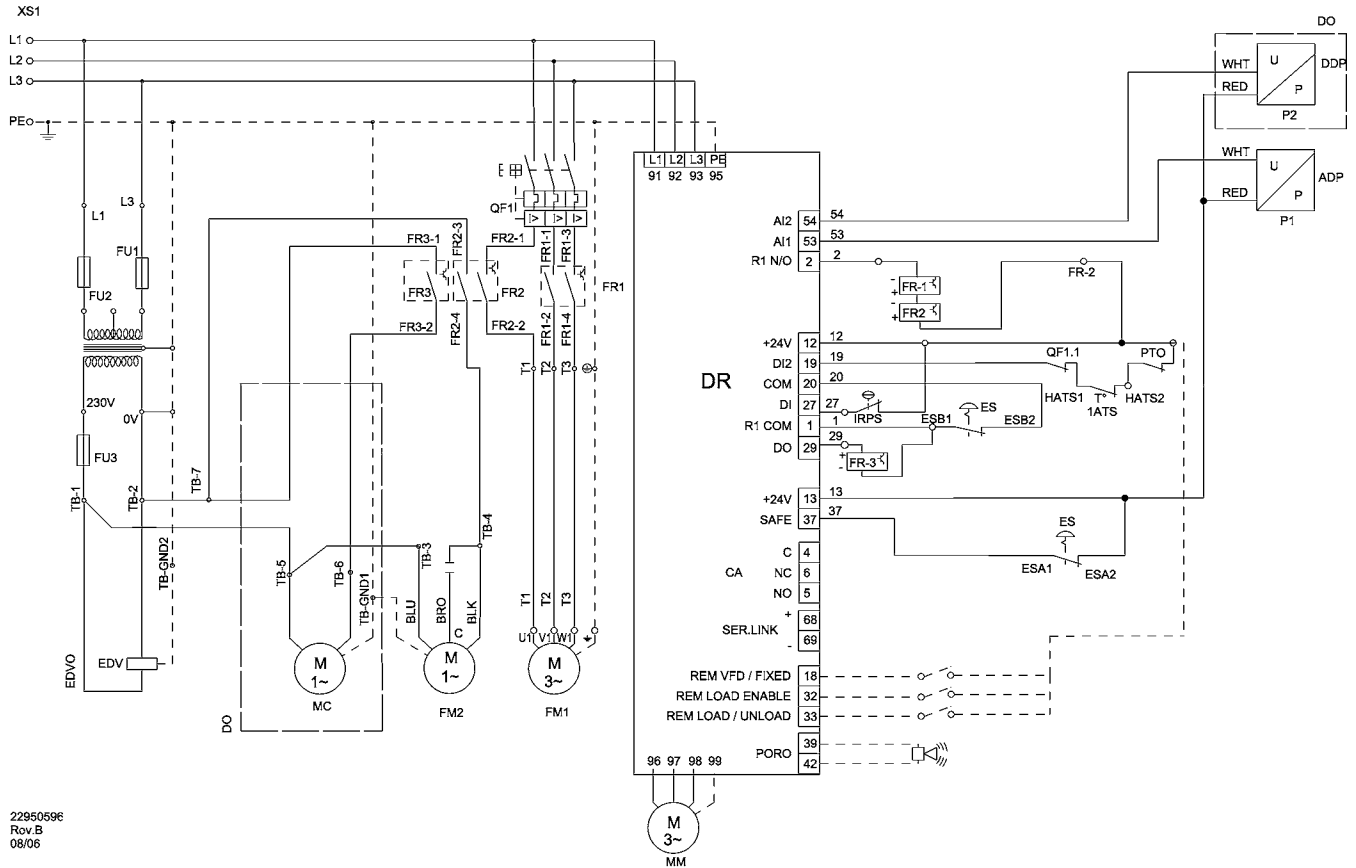
WIRES

POWER – Black
DC CONTROL – Blue
NEUTRAL – Light blue
PROTECTIVE EARTH – Green / Yellow

NOTES

1. THE CORRECT TYPE AND RATING OF LINE INPUT FUSE **MUST BE FITTED ONTO THE CUSTOMER'S ISOLATOR OR BREAKER CLOSE TO THE COMPRESSOR.**
2. SIZING OF ELECTRICAL COMPONENTS NOT SUPPLIED BY INGERSOLL RAND IS THE RESPONSIBILITY OF THE CUSTOMER AND SHOULD BE DONE IN ACCORDANCE WITH THE INFORMATION ON THE COMPRESSOR DATA PLATE, N.E.C., AND LOCAL ELECTRICAL CODES.
3. DECAL MUST CONFORM TO THE LATEST REVISION OF IR SPECIFICATION 92–8.95.

TN, TT, IT 3+PE. 200–230V, 60Hz. 380–460V, 50Hz/60Hz.



22950596
Rev.B
08/06

KEY

- XS1** Main terminals
- QF1** Fan motor starter
- QF1.1** Auxiliary contact
- FU3** Transformer secondary fuse
- FU1, 2** Transformer primary fuses
- FR1** Solid state relay
- FR2** Solid state relay
- FR3** Solid state relay
- EDV** Electric drain valve
- DR** Variable speed drive
- MM** Main motor
- FM1** Blower motor
- FM2** Main blower motor fan
- MC** Dryer motor
- ES** Emergency stop
- 1ATS** High air temperature switch
- 1RPS** Dryer refrigeration pressure switch
- PTO** Thermistor, motor winding temp.
- P1, P2** Pressure transducer
- C** Capacitor
- DO** Dryer option
- DDP** Dryer discharge pressure (Dryer option)
- ADP** Aftercooler discharge pressure
- EDVO** Electronic drain valve option
- CA** Common alarm

- BLK** Black
- BLU** Blue
- BRO** Brown
- WHT** White
- RED** Red

WIRES

- POWER – Black
- DC CONTROL – Blue
- NEUTRAL – Light blue
- PROTECTIVE EARTH – Green / Yellow

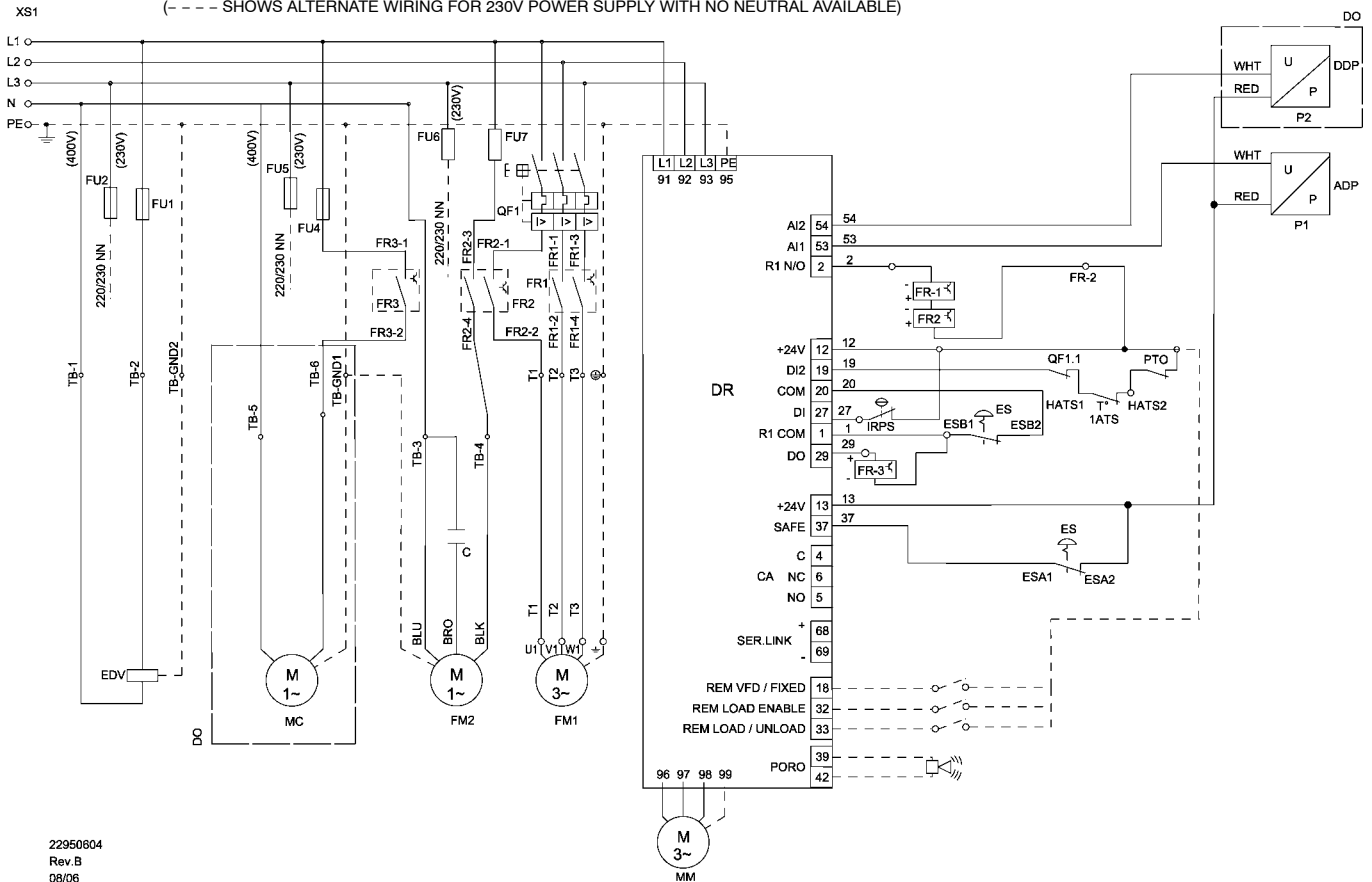
NOTES

1. THE CORRECT TYPE AND RATING OF LINE INPUT FUSE **MUST BE FITTED ONTO THE CUSTOMER'S ISOLATOR OR BREAKER CLOSE TO THE COMPRESSOR.**
- FAST ACTING CLASS-J, T OR SEMICONDUCTOR TYPE, CURRENT LIMITING, INTERRUPT RATING – 200,000 AMPS RMS SECTION
2. SIZING OF ELECTRICAL COMPONENTS NOT SUPPLIED BY INGERSOLL RAND IS THE RESPONSIBILITY OF THE CUSTOMER AND SHOULD BE DONE IN ACCORDANCE WITH THE INFORMATION ON THE COMPRESSOR DATA PLATE, N.E.C., AND LOCAL ELECTRICAL CODES.
3. DECAL MUST CONFORM TO THE LATEST REVISION OF IR SPECIFICATION 92–8.95.

12 GENERAL INFORMATION

TN, TT, IT 3+(N)+PE. 200–230V, 380–415V, 50Hz.

WIRING FOR 3 PHASE, NEUTRAL AND PROTECTIVE EARTH POWER SUPPLY
 (--- SHOWS ALTERNATE WIRING FOR 230V POWER SUPPLY WITH NO NEUTRAL AVAILABLE)



22950804
 Rev.B
 08/06

KEY

- | | | | |
|---------------|---|------------|------------|
| XS1 | Main terminals | NN | No neutral |
| QF1 | Fan motor starter | BLK | Black |
| QF1.1 | Auxiliary contact | BLU | Blue |
| FU3 | Transformer secondary fuse | BRO | Brown |
| FU1, 2 | Transformer primary fuses | WHT | White |
| FR1 | Solid state relay | RED | Red |
| FR2 | Solid state relay | | |
| FR3 | Solid state relay | | |
| EDV | Electric drain valve | | |
| DR | Variable speed drive | | |
| MM | Main motor | | |
| FM1 | Blower motor | | |
| FM2 | Main blower motor fan | | |
| MC | Dryer motor | | |
| ES | Emergency stop | | |
| 1ATS | High air temperature switch | | |
| 1RPS | Dryer refrigeration pressure switch | | |
| PTO | Thermistor, motor winding temp. | | |
| P1, P2 | Pressure transducer | | |
| C | Capacitor | | |
| DO | Dryer option | | |
| DDP | Dryer discharge pressure (Dryer option) | | |
| ADP | Aftercooler discharge pressure | | |
| EDVO | Electronic drain valve option | | |
| CA | Common alarm | | |

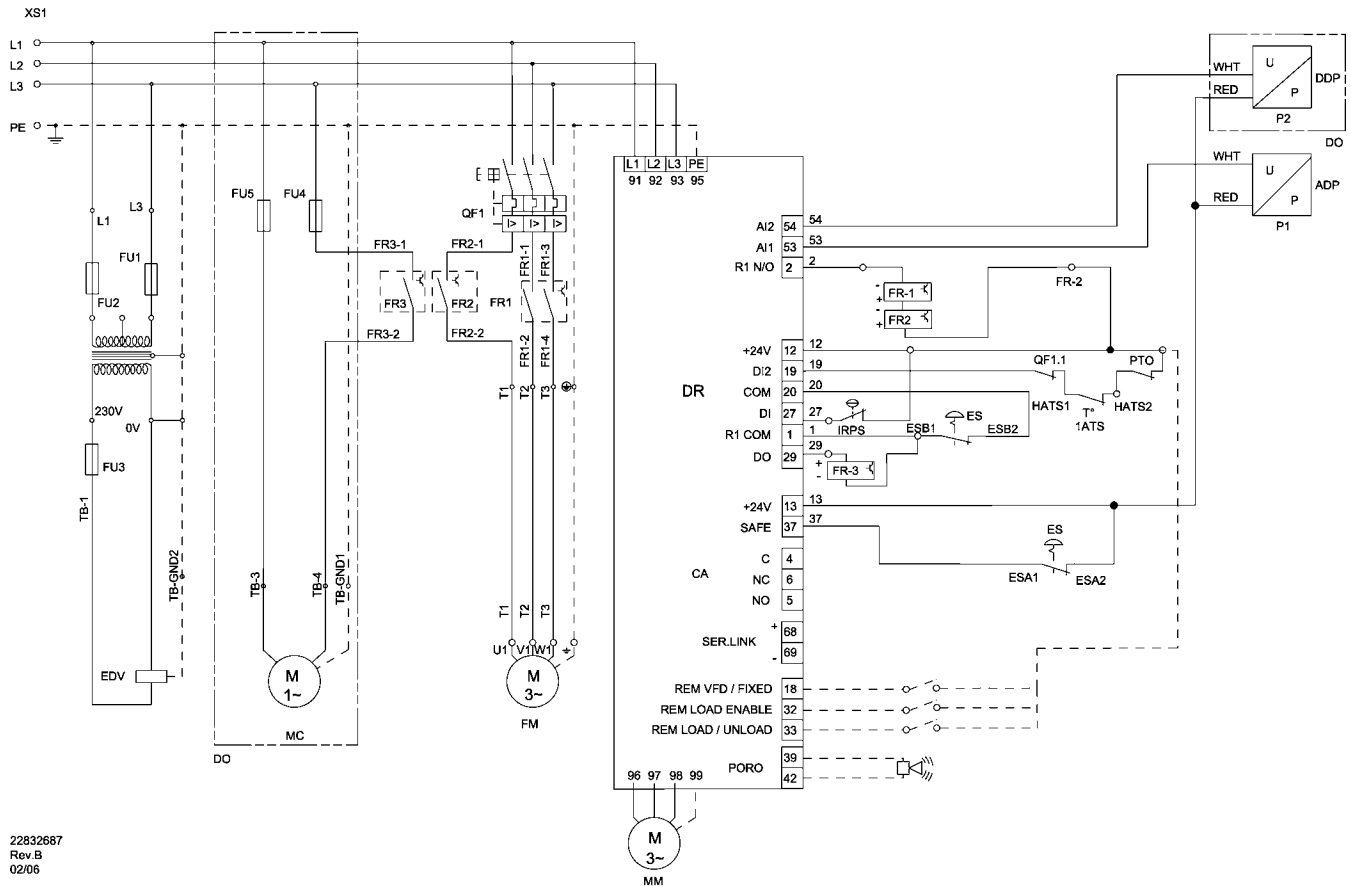
WIRES

- POWER – Black
- DC CONTROL – Blue
- NEUTRAL – Light blue
- PROTECTIVE EARTH – Green / Yellow

NOTES

1. THE CORRECT TYPE AND RATING OF LINE INPUT FUSE **MUST BE FITTED** ONTO THE CUSTOMER'S ISOLATOR OR BREAKER CLOSE TO THE COMPRESSOR.
- FAST ACTING CLASS-J, T OR SEMICONDUCTOR TYPE, CURRENT LIMITING, INTERRUPT RATING – 200,000 AMPS RMS SECTION
2. SIZING OF ELECTRICAL COMPONENTS NOT SUPPLIED BY INGERSOLL RAND IS THE RESPONSIBILITY OF THE CUSTOMER AND SHOULD BE DONE IN ACCORDANCE WITH THE INFORMATION ON THE COMPRESSOR DATA PLATE, N.E.C., AND LOCAL ELECTRICAL CODES.
3. DECAL MUST CONFORM TO THE LATEST REVISION OF IR SPECIFICATION 92–8.95.

TN, TT, IT 3+PE. 200V, 60Hz.



22832687
Rev B
02/06

KEY

- XS1** Main terminals
- QF1** Fan motor starter
- QF1.1** Auxiliary contact
- FU3** Transformer secondary fuse
- FU1, 2** Transformer primary fuses
- FU4, 5** Dryer fuses
- FR1** Solid state relay
- FR2** Solid state relay
- FR3** Solid state relay
- EDV** Electric drain valve
- DR** Variable speed drive
- MM** Main motor
- FM** Blower motor
- MC** Dryer motor
- ES** Emergency stop
- 1ATS** High air temperature switch
- 1RPS** Dryer refrigeration pressure switch
- PTO** Thermistor, motor winding temp.
- P1, P2** Pressure transducer
- DO** Dryer option
- CA** Common alarm
- WHT** White

- RED** Red
- DDP** Dryer discharge pressure (Dryer option)
- ADP** Aftercooler discharge pressure

WIRES

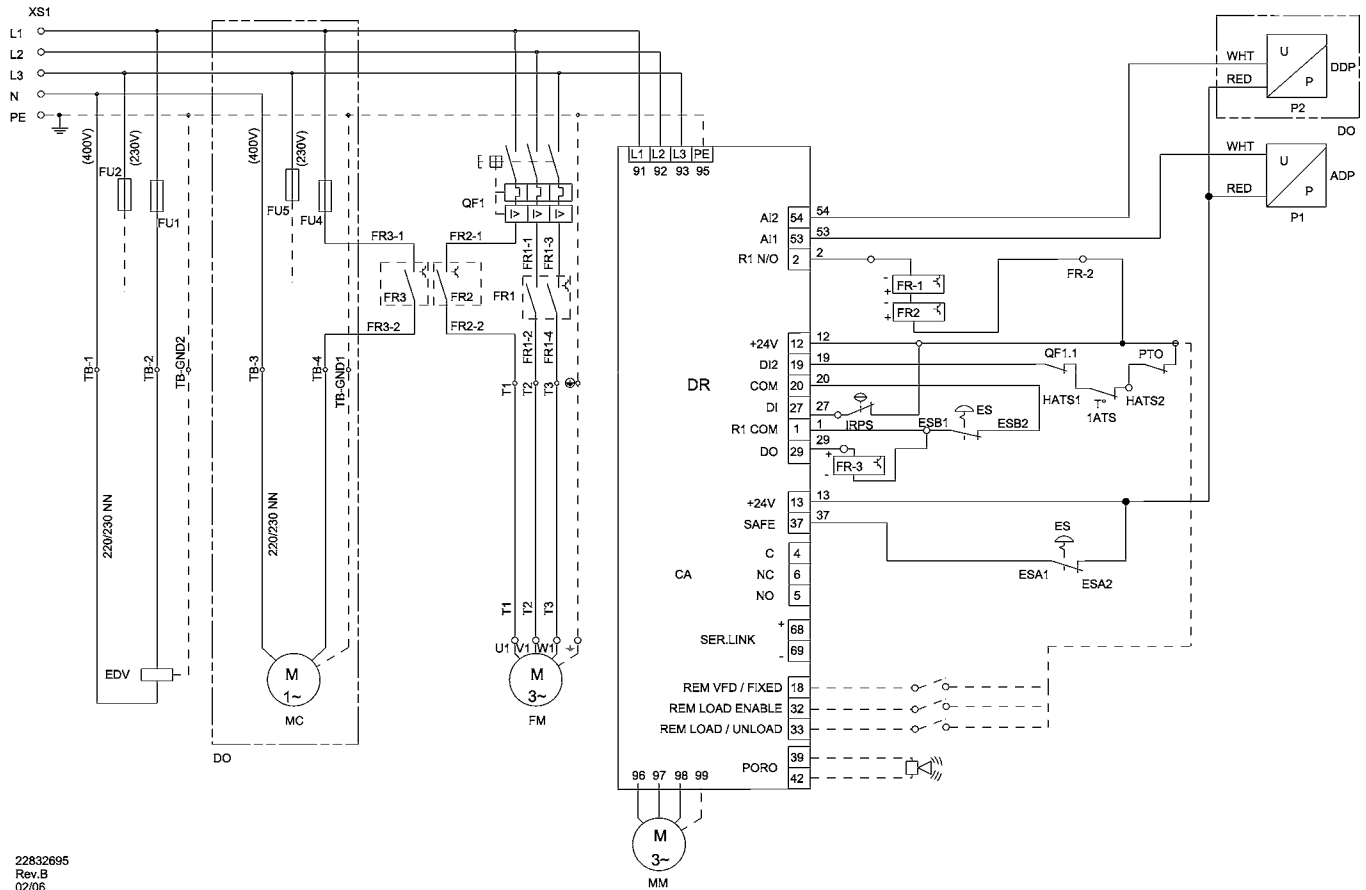
- POWER – Black
- DC CONTROL – Blue
- NEUTRAL – Light blue
- PROTECTIVE EARTH – Green / Yellow

NOTES

1. THE CORRECT TYPE AND RATING OF LINE INPUT FUSE MUST BE FITTED ONTO THE CUSTOMERS ISOLATOR OR BREAKER CLOSE TO THE COMPRESSOR.
- FAST ACTING CLASS-J, T OR SEMICONDUCTOR TYPE, CURRENT LIMITING, INTERRUPT RATING – 200,000 AMPS RMS SECTION
2. SIZING OF ELECTRICAL COMPONENTS NOT SUPPLIED BY INGERSOLL RAND IS THE RESPONSIBILITY OF THE CUSTOMER AND SHOULD BE DONE IN ACCORDANCE WITH THE INFORMATION ON THE COMPRESSOR DATA PLATE, N.E.C., AND LOCAL ELECTRICAL CODES.
3. DECAL MUST CONFORM TO THE LATEST REVISION OF IR SPECIFICATION 92–8.95.

14 GENERAL INFORMATION

TN, TT, IT 3+PE. 220–230V, 60Hz. 380–460V, 50Hz.



22832695
Rev.B
02/06

KEY

Alternative wiring for 3 phase, neutral and protective earth power supply.

XS1	Main terminals
QF1	Fan motor starter
QF1.1	Auxiliary contact
FU4, 5	Dryer fuses
FU1, 2	EDV fuses
FR1	Solid state relay
FR2	Solid state relay
FR3	Solid state relay
EDV	Electric drain valve
DR	Variable speed drive
MM	Main motor
FM	Blower motor
MC	Dryer motor
ES	Emergency stop
1ATS	High air temperature switch
1RPS	Dryer refrigeration pressure switch
PTO	Thermistor, motor winding temp.
P1, P2	Pressure transducer
DO	Dryer option
CA	Common alarm
WHT	White

RED	Red
DDP	Dryer discharge pressure (Dryer option)
ADP	Aftercooler discharge pressure

220/230 NN Alternate wiring for 230v power supply with no neutral available.

WIRES

POWER	– Black
DC CONTROL	– Blue
NEUTRAL	– Light blue
PROTECTIVE EARTH	– Green / Yellow

NOTES

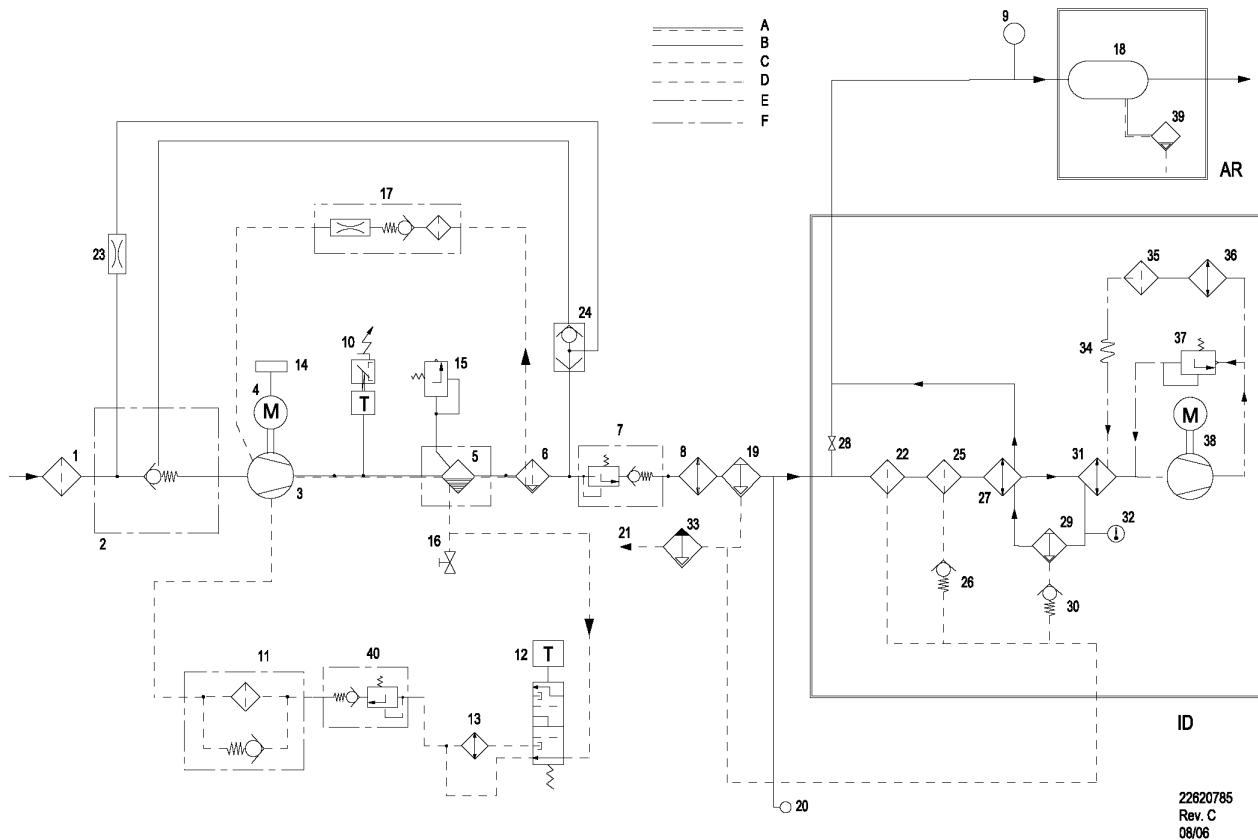
1. THE CORRECT TYPE AND RATING OF LINE INPUT FUSE MUST BE FITTED ONTO THE CUSTOMERS ISOLATOR OR BREAKER CLOSE TO THE COMPRESSOR.

FAST ACTING CLASS-J, T OR SEMICONDUCTOR TYPE, CURRENT LIMITING, INTERRUPT RATING – 200,000 AMPS RMS SECTION

2. SIZING OF ELECTRICAL COMPONENTS NOT SUPPLIED BY INGERSOLL RAND IS THE RESPONSIBILITY OF THE CUSTOMER AND SHOULD BE DONE IN ACCORDANCE WITH THE INFORMATION ON THE COMPRESSOR DATA PLATE, N.E.C., AND LOCAL ELECTRICAL CODES.

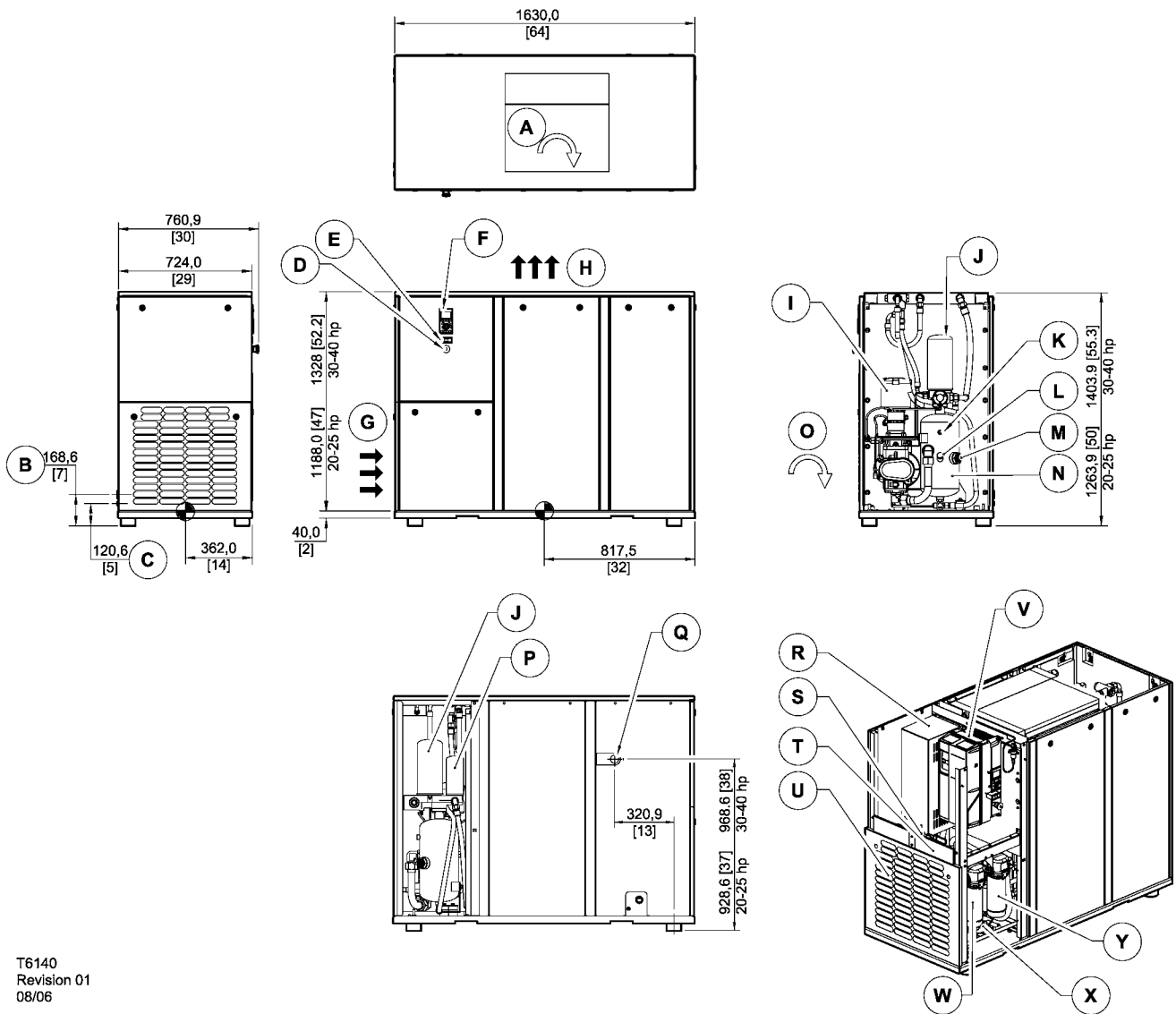
3. DECAL MUST CONFORM TO THE LATEST REVISION OF IR SPECIFICATION 92–8.95.

PIPING AND INSTRUMENTATION



KEY

- | | |
|--|--|
| AR Air receiver (option) | 24. Valve, blowdown |
| ID Integral dryer (option) | 25. Filter, air – High efficiency |
| 1. Filter, air | 26. Valve, check |
| 2. Valve, inlet | 27. Recuperator |
| 3. Airend assembly | 28. Valve, isolation |
| 4. Motor | 29. Moisture separator |
| 5. Tank, separator – coarse | 30. Valve, check |
| 6. Tank, separator – fine | 31. Evaporator |
| 7. Valve, minimum pressure | 32. Indicator, dew point |
| 8. Aftercooler | 33. Valve, condensate |
| 9. Transducer, pressure | 34. Valve, thermal expansion |
| 10. Switch, temperature | 35. Filter, dryer refrigerant |
| 11. Filter, coolant | 36. Condenser |
| 12. Thermostat | 37. Valve, hot gas bypass |
| 13. Cooler, oil | 38. Refrigerant compressor |
| 14. Controller, drive | 39. Valve, auto drain |
| 15. Valve, safety | 40. Valve, minimum pressure |
| 16. Valve, drain | |
| 17. Screen, scavenge | |
| 18. Receiver, air | A Air/Coolant |
| 19. Moisture separator (Option) | B Air |
| 20. Transducer, pressure – Line | C Coolant |
| 21. Condensate discharge | D Condensate |
| 22. Filter, air – General purpose | E Component boundary |
| 23. Orifice | F Refrigerant |

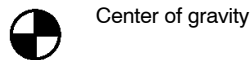


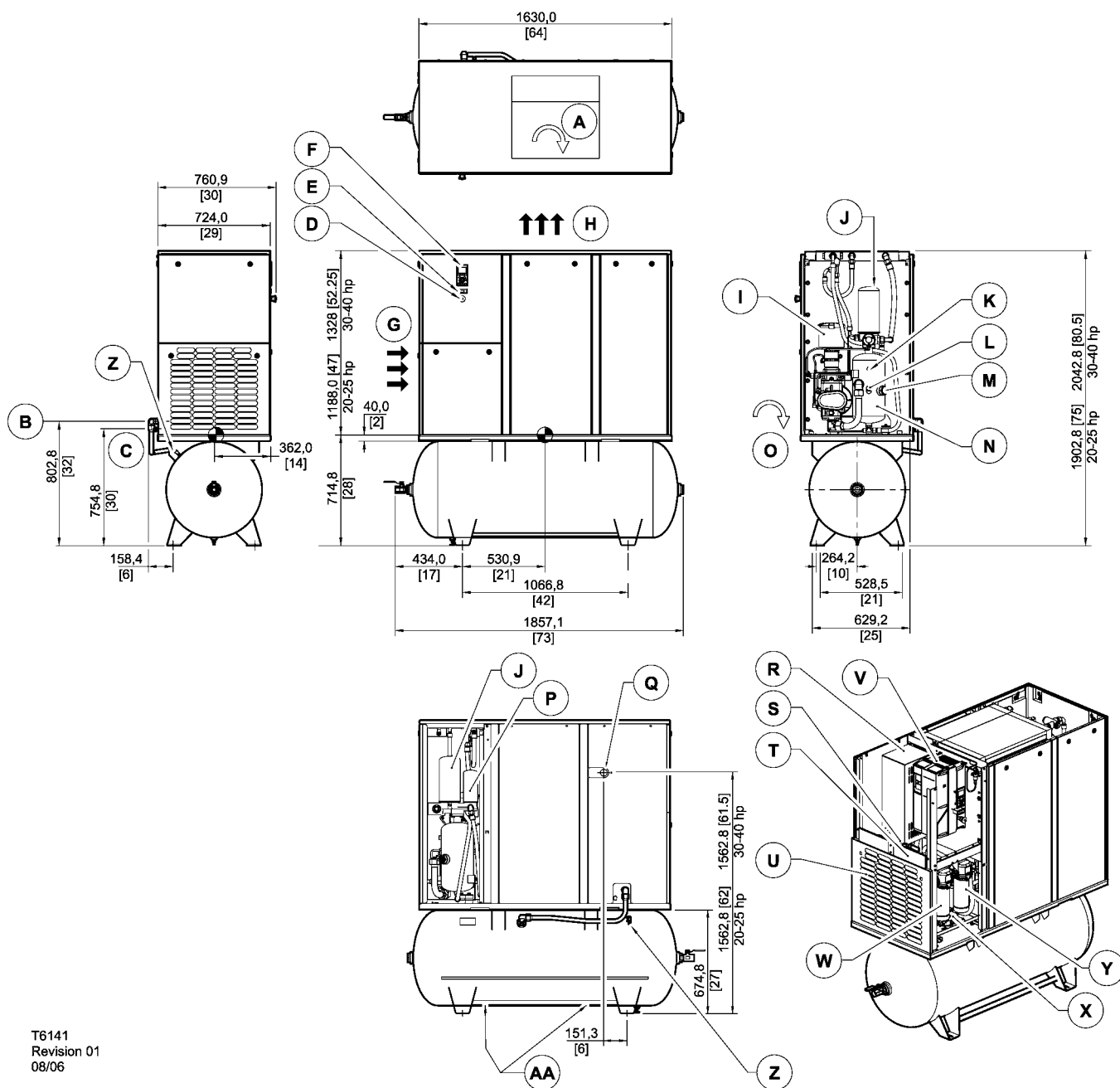
T6140
Revision 01
08/06

KEY

20-40HP 120 GALLON BASEPLATE

- | | |
|-------------------------------|--|
| A Blower rotation | O Drive motor rotation |
| B Air discharge location | P Coolant filter |
| C Drain location | Q Incoming power connections |
| D Emergency stop button | R Electrical controls/fuses access panel |
| E Dryer dewpoint indicator | S Bypass valve |
| F Drive location | T Integrated dryer (Optional) |
| G Air inlet | U Package pre-filter |
| H Air exhaust | V Drive |
| I Air inlet filter | W Dryer general purpose filter |
| J Coolant separator element | X Electric drain valve |
| K Separator tank relief valve | Y Dryer high efficiency filter |
| L Coolant fill | |
| M Coolant level sight glass | |
| N Separator tank | |



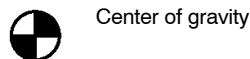


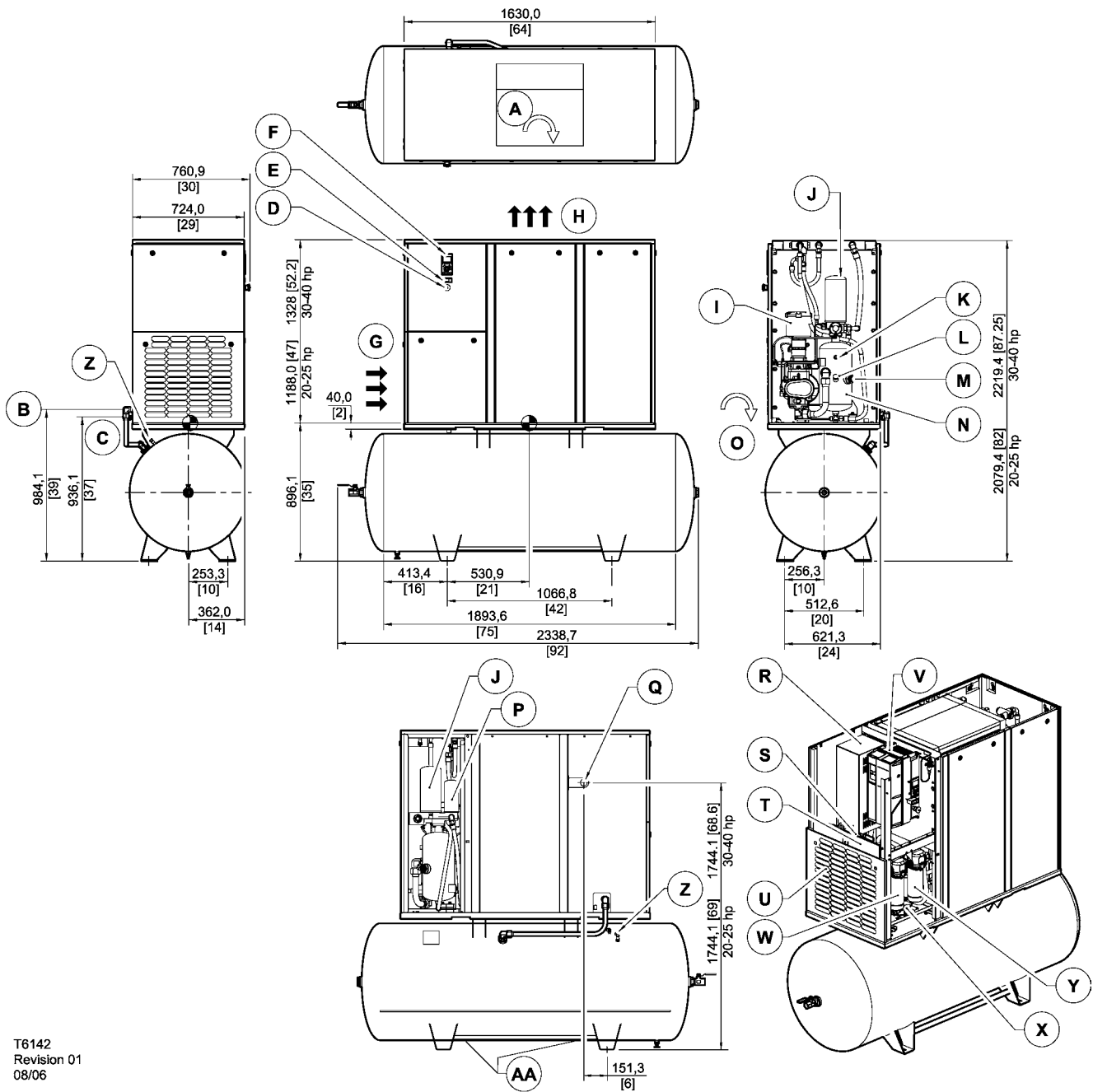
T6141
Revision 01
08/06

KEY

20-40HP 120 GALLON

- | | |
|-------------------------------|--|
| A Blower rotation | P Coolant filter |
| B Air discharge location | Q Incoming power connections |
| C Drain location | R Electrical controls/fuses access panel |
| D Emergency stop button | S Bypass valve |
| E Dryer dewpoint indicator | T Integrated dryer (Optional) |
| F Drive location | U Package pre-filter |
| G Air inlet | V Drive |
| H Air exhaust | W Dryer general purpose filter |
| I Air inlet filter | X Electric drain valve |
| J Coolant separator element | Y Dryer high efficiency filter |
| K Separator tank relief valve | Z Receiver relief valve |
| L Coolant fill | AA Package lifting points |
| M Coolant level sight glass | |
| N Separator tank | |
| O Drive motor rotation | |





T6142
Revision 01
08/06

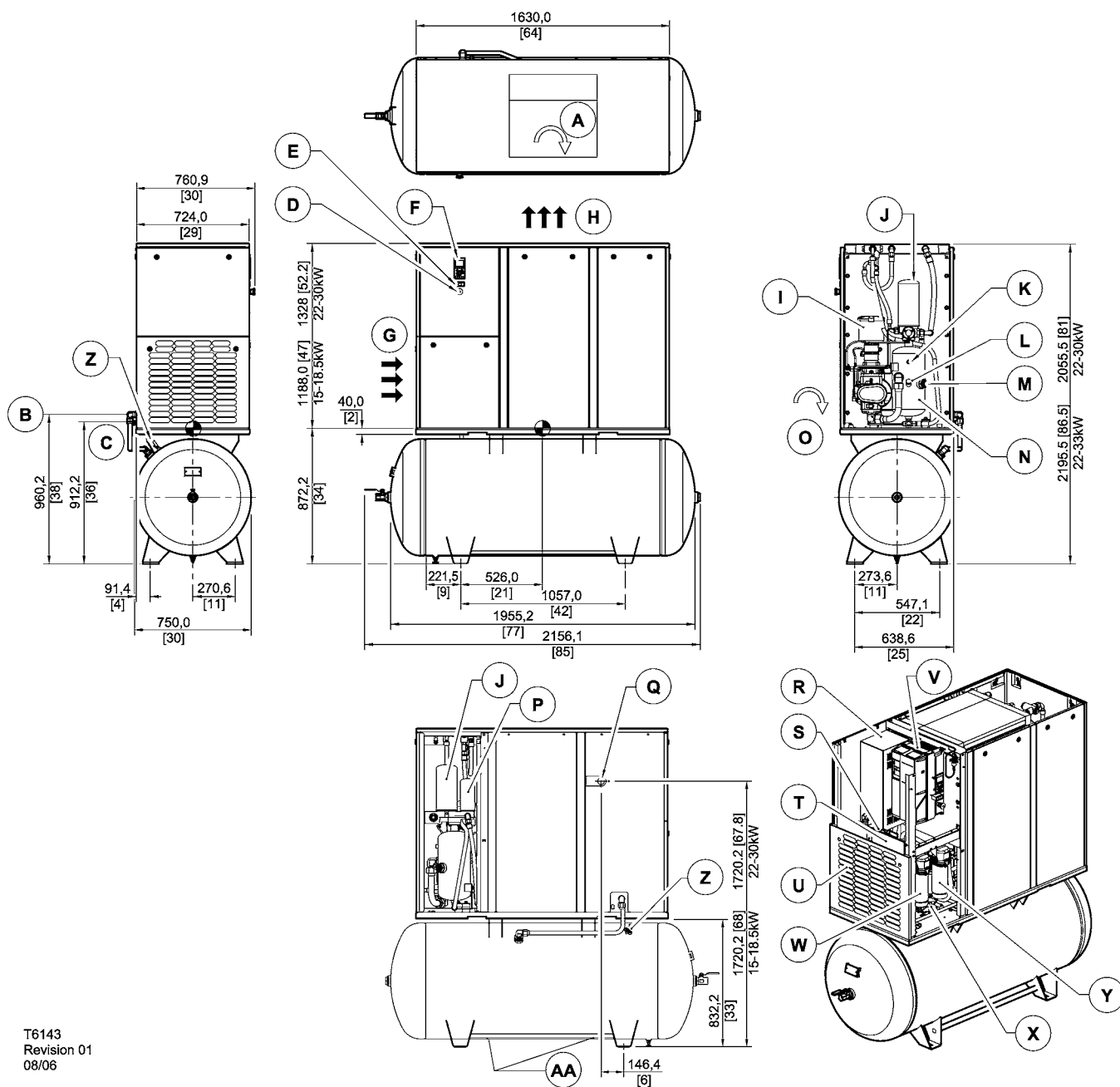
KEY

20-40HP 240 GALLON

- | | |
|-------------------------------|--|
| A Blower rotation | P Coolant filter |
| B Air discharge location | Q Incoming power connections |
| C Drain location | R Electrical controls/fuses access panel |
| D Emergency stop button | S Bypass valve |
| E Dryer dewpoint indicator | T Integrated dryer (Optional) |
| F Drive location | U Package pre-filter |
| G Air inlet | V Drive |
| H Air exhaust | W Dryer general purpose filter |
| I Air inlet filter | X Electric drain valve |
| J Coolant separator element | Y Dryer high efficiency filter |
| K Separator tank relief valve | Z Receiver relief valve |
| L Coolant fill | AA Package lifting points |
| M Coolant level sight glass | |
| N Separator tank | |
| O Drive motor rotation | |



Center of gravity



T6143
Revision 01
08/06

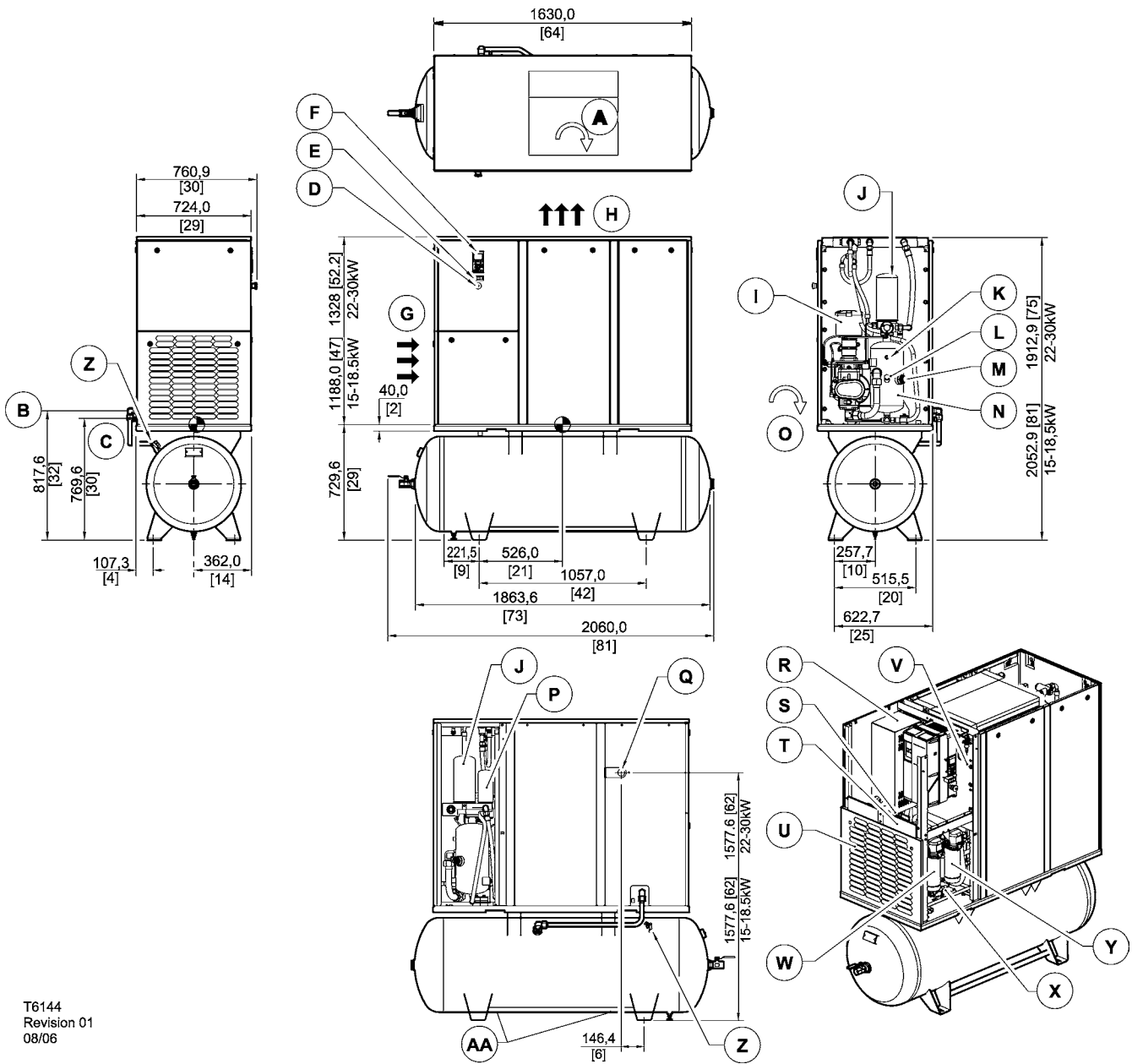
KEY

15-30kW 500 LITRE

- A Blower rotation
- B Air discharge location
- C Drain location
- D Emergency stop button
- E Dryer dewpoint indicator
- F Drive location
- G Air inlet
- H Air exhaust
- I Air inlet filter
- J Coolant separator element
- K Separator tank relief valve
- L Coolant fill
- M Coolant level sight glass
- N Separator tank
- O Drive motor rotation
- P Coolant filter
- Q Incoming power connections
- R Electrical controls/fuses access panel
- S Bypass valve
- T Integrated dryer (Optional)
- U Package pre-filter
- V Drive
- W Dryer general purpose filter
- X Electric drain valve
- Y Dryer high efficiency filter
- Z Receiver relief valve
- AA Package lifting points



Center of gravity



T6144
Revision 01
08/06

KEY

15-30kW 750 LITRE

- A Blower rotation
- B Air discharge location
- C Drain location
- D Emergency stop button
- E Dryer dewpoint indicator
- F Drive location
- G Air inlet
- H Air exhaust
- I Air inlet filter
- J Coolant separator element
- K Separator tank relief valve
- L Coolant fill
- M Coolant level sight glass
- N Separator tank
- O Drive motor rotation
- P Coolant filter
- Q Incoming power connections
- R Electrical controls/fuses access panel
- S Bypass valve
- T Integrated dryer (Optional)
- U Package pre-filter
- V Drive
- W Dryer general purpose filter
- X Electric drain valve
- Y Dryer high efficiency filter
- Z Receiver relief valve
- AA Package lifting points



Center of gravity

NOTES

- 1 Foundation or floor must be level, and support all feet equally. If necessary, shim or grout the fourth foot.
- 2 Foundation bolts should project thru nuts a minimum of 13mm [0.50"] to allow for levelling.
- 3 Allow a minimum clearance of 1100mm [42"] on the front and 920mm [36"] on the top, left, right and the rear of the package for proper air circulation and serviceability.
- 4 Approximate package weight: 475 KG. (1045 LBS)

NOTE

All dimensions are in millimetres (inches) unless otherwise stated.

Ensure that the correct fork lift truck slots or marked lifting points are used whenever the machine is lifted or transported.

UNPACKING

The compressor will normally be delivered with a polythene cover. If a knife has to be used to remove this cover ensure that the exterior paintwork of the compressor is not damaged.

Remove shipping bolts on end panel.

Ensure that all transport and packing materials are discarded in a manner prescribed by local codes.

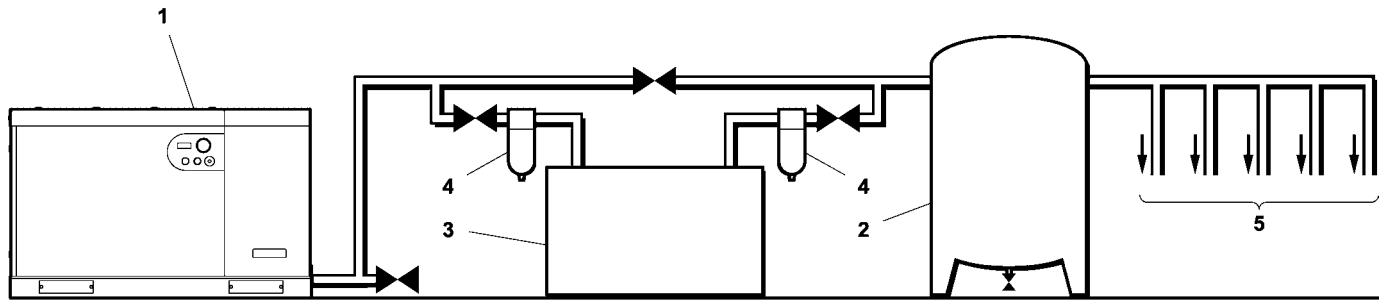
DRYER INSTALLATION

Do not connect condensate drains common to other pressurised drain lines in a closed circuit. Make sure the outflow from the condensate drains is unimpeded. Connect the condensate piping in such a way to ensure that sound levels are kept to a minimum during drainage.

Ensure that all condensate is disposed of in a responsible manner, in accordance with local norms concerning environmental protection.

The ambient air around the dryer and compressor must not contain solid or gaseous contaminants. All compressed and condensed gases can generate acids or chemical products which may damage the compressor or components inside the dryer.

Take particular care with sulphur, ammonia, chlorine and installations in marine environments. For further advice or assistance consult your local Ingersoll Rand representative.



T6035
Revision 00
10/04

KEY

1. Compressor
2. Air Receiver
3. Air Dryer
4. Compressed air filters
5. System demand points

NOTE

Items [2] to [5] are optional or may be existing items of plant. Refer to your Ingersoll Rand distributor / representative for specific recommendations.

CAUTION

The use of plastic bowls on line filters and other plastic air line components can be hazardous. Their safety can be affected by either synthetic coolants or the additives used in mineral oils. Ingersoll Rand recommends that only filters with metal bowls should be used on any pressurised system.

CAUTION

The Basic compressor or Total Air System Package, is not suitable for operation in temperatures liable to cause freezing as Condensate water is liable to be produced in the after cooler and receiver where fitted.

Refer to your Ingersoll Rand distributor for further information

LOCATION IN THE PLANT

The compressor can be installed on any level floor capable of supporting it. A dry, well ventilated area where the atmosphere is clean is recommended. A minimum of 1m (3ft) should be left all around machine for adequate service access and ventilation.

Adequate clearance needs to be allowed around and above the machine to permit safe access for specified maintenance tasks.

Ensure that the machine is positioned securely and on a stable foundation. Any risk of movement should be removed by suitable means, especially to avoid strain on any rigid discharge piping.

CAUTION

Screw type compressors [1] should not be installed in air systems with reciprocating compressors without means of isolation such as a common receiver tank. It is recommended that both types of compressor be piped to a common receiver using individual air lines.

DISCHARGE PIPING

Discharge piping should be at least as large as the discharge connection of the compressor. All piping and fittings should be suitably rated for the discharge pressure.

It is essential when installing a new compressor [1], to review the total air system. This is to ensure a safe and effective total system. One item which should be considered is liquid carryover. Installation of air dryers [3] is always good practice since properly selected and installed they can reduce any liquid carryover to zero.

It is good practice to locate an isolation valve close to the compressor and to install line filters [4].

If you have purchased a TAS model, your compressor package already includes items [1], [3] and [4].

It is a requirement for air dryers covered under Aircare that correctly sized Ingersoll Rand pre and afterfilters are installed.

60/50Hz	IRN 20HP/ 15 kW		IRN 25HP / 18.5 kW	
	TAS	non-TAS	TAS	non-TAS

COMPRESSOR				
Nominal pressure PSIG (bar)	150 (10.34)		150 (10.34)	
Flow rate @ 150 PSIG (10.3 bar) ACFM (m ³ /MIN) ^{1, 4}	75 (2.12)	77 (2.18)	92 (2.61)	94 (2.66)
Flow rate @ 125 PSIG (8.6 bar) ACFM (m ³ /MIN) ^{2, 4}	80 (2.27)	83 (2.35)	99 (2.80)	102 (2.89)
Flow rate @ 115 PSIG (8 bar) ACFM (m ³ /MIN) ^{3, 4}	84 (2.38)	87 (2.46)	105 (2.97)	108 (3.06)
Airend discharge temperature.	228°F (109°C) Trip point			
Ambient operating temperature (min.) → (max.)	35°F (+2°C) → 104°F (+40°C)			

MOTOR		
Nominal power	20HP / 15kW	25HP / 18.5kW
Insulation class	F	

COOLING SYSTEM – Air cooled				
Cooling air flow	1900ft ³ /min (53.8m ³ /min)			
Maximum ΔP in air ducts	0.25 inWg (6.4mmH ₂ O)			
Compressed air outlet ΔT	N/A	15°F (8.3°C)	N/A	20°F (11°C)

GENERAL DATA	
Separation volume	1.8 gallons (7 Litres)
Coolant capacity	3.4 gallons (13 Litres)
Weight – base mount unit	1350 lbs (612 kg)
Weight – 120 gallon Receiver mounted	1720 lbs (780 kg)
Weight – 240 gallon Receiver mounted	1891 lbs (858 kg)
Weight – 500 Litre Receiver mounted	1772 lbs (804 kg)
Weight – 750 Litre Receiver mounted	1891 lbs (858 kg)

DRYER ENGINEERING DATA	50 / 60Hz
Electrical protection class (std)	NEMA 1 (IP 20)
Factory refrigerant charge (oz/g)	23.5 oz 667 g
Refrigeration type	134 A

- 1 Assuming a 5 psi (0.34 bar) pressure drop through the TAS module.
- 2 Assuming a 8 psi (0.55 bar) pressure drop through the TAS module.
- 3 Assuming a 9 psi (0.62 bar) pressure drop through the TAS module.
- 4 Flow rate will decrease as DP through the TAS module increases.

ELECTRICAL DATA – ALL UNITS IRN 20HP / 15kW					
Standard voltage	Low Voltage		High Voltage		
	208V	230V	380V	400V	460V
Drive motor					
Motor enclosure	IP65				
Power	20HP / 15kW				
Full load current (maximum)	58.3	52.7	31.9	30.3	26.3
Starts per hour (maximum)	20				
ELECTRICAL DATA					
Control voltage	24VDC				
Maximum fuse rating See note 1, 3	100A	90A	50A	50A	45A
Minimum wire size AWG (mm ²) See note 2, 3	4 (25)	4 (25)	8 (10)	8 (10)	8 (10)

ELECTRICAL DATA – ALL UNITS IRN 25HP / 18.5kW					
Standard voltage	Low Voltage		High Voltage		
	208V	230V	380V	400V	460V
Drive motor					
Motor enclosure	IP65				
Power	25HP / 18.5kW				
Full load current (maximum)	73.2A	63.7A	40.2A	38.2A	33.2A
Starts per hour (maximum)	20				
ELECTRICAL DATA					
Control voltage	24VDC				
Maximum fuse rating See note 1, 3	125A	100A	70A	60A	50A
Minimum wire size AWG (mm ²) See note 2, 3	3 (35)	4 (25)	6 (16)	6 (16)	8 (10)

1. The correct type and rating of line input fuse **MUST BE** fitted onto the customers isolator or breaker close to the compressor.

Fast Acting Class–J, T or Semiconductor type, Current limiting, Interrupt Rating – 200,000 Amps RMS SYM.

Alternate fuse may be used if the time current characteristics are faster than fuses recommended in this section.

2. PVC/PVC Type Calculated using the following conditions:

- i) PVC insulated cable, armoured, copper conductors.
- ii) Cable clipped to a wall, in free air.
- iii) Ambient temperature of 40°C (104°F) and relative humidity of 40%.
- iv) 20m (65ft) cable run.
- v) Volt drop limited to –10% during starting, –4% during normal running.
- vi) Protected by the fuse listed above.

3. Always apply local electrical codes for sizing cables and fusing.

If there are any deviations from the above, or special regulations apply, the installation must be planned by a competent, qualified engineer.

<p>NOTE All data applies to standard product only.</p>

60/50Hz	IRN 30HP/ 22 kW		IRN 40HP / 30 kW	
	TAS	non-TAS	TAS	non-TAS

COMPRESSOR				
Nominal pressure PSIG (bar)	150 (10.34)		150 (10.34)	
Flow rate @ 150 PSIG (10.3 bar) ACFM (m ³ /MIN) ^{1, 4}	109 (3.09)	112 (3.17)	142 (4.02)	146 (4.14)
Flow rate @ 125 PSIG (8.6 bar) ACFM (m ³ /MIN) ^{2, 4}	120 (3.40)	125 (3.54)	152 (4.31)	158 (4.48)
Flow rate @ 115 PSIG (8 bar) ACFM (m ³ /MIN) ^{3, 4}	125 (3.54)	130 (3.68)	158 (4.48)	164 (4.65)
Airend discharge temperature.	228°F (109°C) Trip point			
Ambient operating temperature (min.) → (max.)	35°F (+2°C) → 104°F (+40°C)			

MOTOR		
Nominal power	30HP / 22kW	40HP / 30kW
Insulation class	F	

COOLING SYSTEM – Air cooled				
Cooling air flow	2700ft ³ /min (76.5m ³ /min)			
Maximum ΔP in air ducts	0.25 inWg (6.4mmH ₂ O)			
Compressed air outlet ΔT	N/A	15°F (8.3°C)	N/A	20°F (11°C)

GENERAL DATA	
Separation volume	2.8 gallons (10.7 Litres)
Coolant capacity	5.5 gallons (21 Litres)
Weight – base mount unit	1350 lbs (612 kg)
Weight – 120 gallon Receiver mounted	1720 lbs (780 kg)
Weight – 240 gallon Receiver mounted	1891 lbs (858 kg)
Weight – 500 Litre Receiver mounted	1772 lbs (804 kg)
Weight – 750 Litre Receiver mounted	1891 lbs (858 kg)

DRYER ENGINEERING DATA	50 / 60Hz
Electrical protection class (std)	NEMA 1 (IP 20)
Factory refrigerant charge (oz/g)	45 oz 1.27 kg
Refrigeration type	134 A

- 1 Assuming a 6 psi (0.4 bar) pressure drop through the TAS module.
- 2 Assuming a 9 psi (0.62 bar) pressure drop through the TAS module.
- 3 Assuming a 10 psi (0.69 bar) pressure drop through the TAS module.
- 4 Flow rate will decrease as DP through the TAS module increases.

ELECTRICAL DATA – ALL UNITS IRN 30HP / 22kW					
Standard voltage	Low Voltage		High Voltage		
	208V	230V	380V	400V	460V
Drive motor					
Motor enclosure	IP65				
Power	20HP / 15kW				
Full load current (maximum)	91	82	50	47	41
Starts per hour (maximum)	20				
ELECTRICAL DATA					
Control voltage	24VDC				
Maximum fuse rating See note 1, 3	150A	125A	75A	75A	70A
Minimum wire size AWG (mm ²) See note 2, 3	2 (32)	2 (32)	6 (16)	6 (16)	6 (16)
ELECTRICAL DATA – ALL UNITS IRN 40HP / 30kW					
Standard voltage	Low Voltage		High Voltage		
	208V	230V	380V	400V	460V
Drive motor					
Motor enclosure	IP65				
Power	25HP / 18.5kW				
Full load current (maximum)	122A	110A	66.5A	63A	55A
Starts per hour (maximum)	20				
ELECTRICAL DATA					
Control voltage	24VDC				
Maximum fuse rating See note 1, 3	200A	200A	125A	100A	80A
Minimum wire size AWG (mm ²) See note 2, 3	2/0 (70)	2/0 (70)	4 (25)	4 (25)	4 (25)

1. The correct type and rating of line input fuse **MUST BE** fitted onto the customers isolator or breaker close to the compressor.

Fast Acting Class–J, T or Semiconductor type, Current limiting, Interrupt Rating – 200,000 Amps RMS SYM.

Alternate fuse may be used if the time current characteristics are faster than fuses recommended in this section.

2. PVC/PVC Type Calculated using the following conditions:

- i) PVC insulated cable, armoured, copper conductors.
- ii) Cable clipped to a wall, in free air.
- iii) Ambient temperature of 40°C (104°F) and relative humidity of 40%.
- iv) 20m (65ft) cable run.
- v) Volt drop limited to –10% during starting, –4% during normal running.
- vi) Protected by the fuse listed above.

3. Always apply local electrical codes for sizing cables and fusing.

If there are any deviations from the above, or special regulations apply, the installation must be planned by a competent, qualified engineer.

NOTE
All data applies to standard product only.

ELECTRICAL DATA

An independent electrical isolator or disconnect should be installed adjacent to the compressor.

Feeder cables/wires should be sized by the customer/electrical contractor to ensure that the circuit is balanced and not overloaded by other electrical equipment. The length of wiring from a suitable electrical feed point is critical as voltage drops may impair the performance of the compressor.

Feeder cables / wires connections to isolator or disconnect should be tight and clean.

The applied voltage must be compatible with the motor and compressor data plate ratings.

Do not use a buck and boost transformer.

CAUTION

Never test the insulation resistance of any part of the machines electrical circuits, including the motor without completely disconnecting the electronic controller (where fitted).

CAUTION

Do not verify cooling simply by air flow direction, but ensure that the fan rotates in the correct direction as indicated by direction arrows

NOTE

If the compressor is installed for 208V 60hz or 380V 60hz applications, the wiring at the primary of the transformer needs to be changed during installation.

OUTDOOR MODIFICATION OPTION

EU Directive 2000/14/EC. Noise Emission By Equipment For Use Outdoors

The standard compressor packages are not suitable for use outdoors. If the Outdoor Modification Option is fitted to a machine which will be operated within the EU the machine is not intended to be used as hire equipment or moved from place to place. It must be installed as fixed machinery, which is not intended to be moved during its operational life (For example, a compressor permanently fixed outside of buildings) and is therefore excluded from the Directive.

This exclusion is on the basis that the machine forms a permanent part of a factory or plant, and that local Environmental Noise Regulations will apply to this factory / plant, in place of the directive.

GENERAL OPERATION

The compressor is an electric motor driven, single stage screw compressor, complete with accessories piped, wired and baseplate mounted. It is a totally self contained air compressor package.

The standard compressor is designed to operate in an ambient range of 35.6°F – 104°F (2°C to 40°C). The maximum temperature is applicable up to a maximum elevation of 3280ft (1000m) above sea level. Above this altitude significant reduction in maximum allowable ambient temperature is required.

Compression in the screw type air compressor is created by the meshing of two (male & female) helical rotors.

The air/coolant mixture discharges from the compressor into the separation system. This system removes all but a few PPM of the coolant from the discharge air. The coolant is returned to the cooling system and the air passes through the aftercooler and out of the compressor.

Cooling air is moved through the coolers by the cooling fan and discharged from the machine.

WARNING

This unit is equipped with automatic cooling fan control. The package – cooling fan will operate independently of the compression module. The fan may operate when the compressor is stopped in automatic restart mode or when the on-off selector switch is in the 'off' position with the e-stop disengaged.

CAUTION

Cooling air is drawn in at the rear of the machine package passing through the filter and cooler before being discharged from the top of the machine. Care should be taken to avoid blocking the airflow, or causing any restriction in excess of the maximum backpressure allowed for ducting.
Do not direct the airflow at face or eyes.

The power transmission from the drive motor to the airend male rotor is by direct drive.

By cooling the discharge air, much of the water vapour naturally contained in the air is condensed and may be drained from the downstream piping and equipment.

The coolant system consists of a sump, cooler, thermostatic valve and a filter. When the unit is operating, the coolant is pressurized and forced to the compressor bearings.

The compressor load control system is automatic **stop and restart, with selectable variable speed control**. This allows the compressor to maintain a set discharge line pressure by varying output capacity to match the system demand. The unit is provided with an automatic stop and restart system for use in plants where the air demand varies sufficiently to allow a compressor to shut down and save power. Significant system volume will assist this and is recommended.

WARNING

When the unit stops running as the result of low air demand, it may restart and return to load at any time.

CAUTION

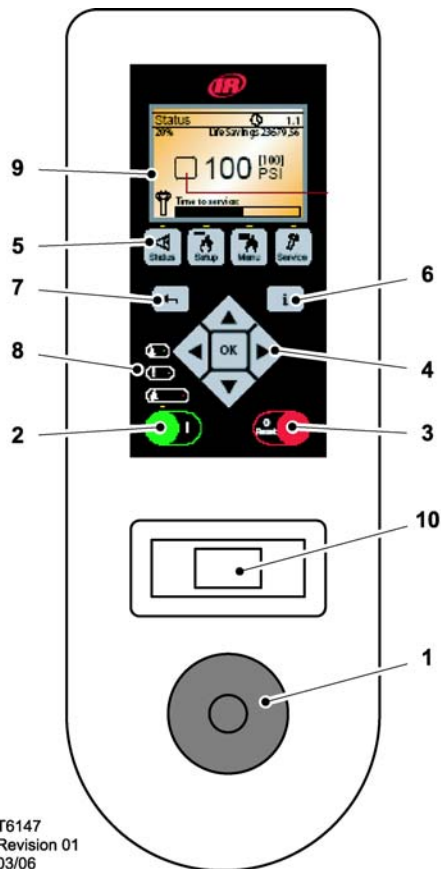
LOW DEMAND APPLICATIONS

During periods of low demand, the compressor may not reach its normal operating temperature. Sustained operation at low demand can result in the build up of condensate in the coolant. If this situation occurs, the lubricating characteristics of the coolant can be impaired which may lead to damage of the compressor.
THE COMPRESSOR SHOULD BE ALLOWED AMPLE LOADED RUNNING TIME.

Safety of operation is provided as the compressor will shut down if excessive temperatures or electrical overload conditions should occur.

CAUTION

This unit is not designed or intended to operate when contaminated with silicone. Lubricants, greases or other items containing silicone should not be used on this unit.



1. EMERGENCY STOP

Pressing this switch stops the compressor immediately. The compressor cannot be restarted until the switch is manually reset. Turn clockwise to reset.

On reset, the controller will display a message indicating that the compressor is ready to start.

2. START KEY

Pressing this key will start the compressor.

3. STOP/RESET KEY

Pressing this key will stop the compressor.

4. NAVIGATION KEYS

These keys are used to navigate through the items on a list and to change values.

5. DISPLAY KEYS

6. INFORMATION KEY

This key provides additional information for the current display, mode of operation, or alarm / warning status.

7. BACK NAVIGATION KEY

Press this key to return to the default Status display screen when navigating screens. This key is also used to exit parameters without making changes to the values.

8. LED STATUS INDICATORS

POWER ON: The machine is energized.

WARNING: A problem exists or a maintenance interval is approaching.

ALARM: An alarm condition is present. During an alarm, the machine automatically stops. When the alarm condition has been corrected, push the Stop/Reset Key (#3) to re-start the machine.

9. LCD DISPLAY SCREEN

The LCD contrast is adjusted by pressing and holding the Status button and pressing the Up and Down navigation keys.

10. DEWPOINT INDICATOR (DRYER ONLY)

Green indicates an acceptable dewpoint, red indicates a dewpoint above 50°F (10°C), and blue indicates a freezing risk.

PRIOR TO STARTING

1. Make visual check of the machine, ensure that all guards are secure and that nothing is obstructing the proper ventilation of, or free access to the machine.

2. Check coolant level. Add if necessary.

3. Make sure main discharge valve is open.

4. Turn on electrical isolator or disconnect. The **Power on** (8) indicator will light, indicating that line and control voltages are available.

5. Check direction of rotation at initial start or following interruption in power supply.

WARNING

Make sure that all protective covers are in place.

Cooling air flow exhaust may contain flying debris. Safety Protection should be worn at all times to avoid injury.

STARTING

Press the Start key. The machine will start and then load automatically.

NOTE

During normal operation, the blower will run when the machine is running and may run for a short time after the machine stops. If the machine stops due to an alarm or a local or remote stop, the blower will stop with the machine.

WARNING

If the machine stops automatically, the airend, separator tank and oil system can contain high pressure air and will vent back to atmosphere. This can be verified by unscrewing the coolant fill plug which has a vent hole through which any residual pressure will be vented. Downstream of the separator tank may still contain system pressure which must also be vented.

NORMAL STOPPING

Press the Stop/Reset key.

EMERGENCY STOPPING

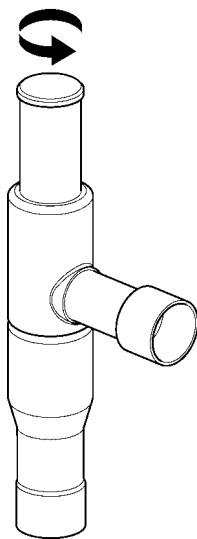
1. Press **EMERGENCY STOP** button (1) and the compressor and fan will stop immediately. This button is not to be used for stopping under normal operation.

2. Turn off electrical isolator or disconnect.

Before restarting, identify and correct all faults, and ensure the machine can operate safely.

DEWPOINT ADJUSTMENT (DRYER ONLY)

The dewpoint may be adjusted by the Hot Gas Bypass Valve (HGBV). To reduce the dewpoint turn the HGBV adjustment counter-clockwise. At ambient conditions of 25°C (77°F) a low-side pressure of 1.8 barg (26.5 psig) 15 ±% may yield a dewpoint of 3°C (37°F). Reduction in the low-side pressure may result in adverse operating conditions.



STATUS DISPLAY

Status Display 1.1 is the default display. Navigate the other Status screens by pressing the Status Display Key once and then pressing the Up or Down navigation keys.

Status Display 1.1

Status Display 1.1 provides the following information:

- Discharge Pressure 100 – pressure at the discharge point of the compressor package.
- Target Pressure [100] – pressure that the compressor tries to maintain when running in VFD mode.
- Percent of Load – current motor speed / max motor speed * 100%.
- Lifetime Energy Savings – a cumulative total of the energy savings, calculated hourly. This cannot be reset.
- Maintenance Indicator – a bar graph display indicating 0 to 100 % used to continuously indicate the percentage of the maintenance interval time remaining until the next service is due.
- Warning Text Message.
- Operational Status.

i. Running, signified by one arrow rotating:



ii. Stopped, signified by no arrows.

iii. Stopped in Auto Restart, signified by all arrows shown:



iv. Scheduled Start / Stop Enabled

Status Display 1.2

Status Display 1.2 provides the following information:

- Discharge Pressure 100– pressure at the discharge point of the compressor package.
- Target Pressure [100] – pressure that the compressor tries to maintain when running in VFD mode.
- Motor Speed.

- Energy Saving – a cumulative total, calculated hourly, and can be reset by selecting Reset Energy Savings in the Operator Setpoints. This is calculated the same as Lifetime Energy Savings but this accumulated value can be reset.

- Maintenance Indicator – a bar graph display indicating 0 to 100 % used to continuously indicate the percentage of the maintenance interval time remaining until the next service is due.

- Warning Text Message.

- Operational Status.

i. Running, signified by one arrow rotating:



ii. Stopped, signified by no arrows.

iii. Stopped in Auto Restart, signified by all arrows shown:



iv. Scheduled Start / Stop Enabled.

Status Display 1.3

Status Display 1.3 provides the following information:

- Discharge Pressure 100 – pressure at the discharge point of the compressor package.
- Logging Pressure Screen (XY Plot) of Discharge Pressure and Target Pressure vs. Time.
- % Load – current motor speed / max motor speed * 100%.

Status Display 1.4

Status Display 1.4 provides the following information:

- % Load – current motor speed / max motor speed * 100%.
- Logging % Load Screen (XY Plot) of % Load vs. Time.
- Discharge Pressure 100 – pressure at the discharge point of the compressor package.

Status Display 1.5

Status Display 1.5 provides the following information:

- Hourmeter – indicates the number of hours the compressor motor has run throughout it's entire lifetime.
- Current Date and Time.
- Time to Scheduled Start.
- Time to Scheduled Stop.
- Software Version.
- Service Contact Information.
- % Load – current motor speed / max motor speed * 100%.
- Discharge Pressure 100 – pressure at the discharge point of the compressor package.

SETUP SCREEN

Press the SETUP button to view and adjust settings.

Press the arrow keys to view the settings.

- Target Pressure.
- Auto Stop Pressure.
- VFD/Fixed Mode.
- Scheduled Start / Stop.
- Scheduled Start Time.
- Scheduled Stop Time.
- Energy Savings Reset.

Change a value by highlighting the item and its value and pressing the SELECT button to highlight just the value. When the value line is highlighted by itself, the value can be adjusted using the up and down arrow keys. The CANCEL and SET keys appear at this time. Press the SET button to enter the new value or press the CANCEL button to return the value of the setpoint prior to using the arrows. The displayed value will flash twice to indicate that it has been entered into the setpoint and the pair of setpoint item and value display lines will again be highlighted together.

If no keys are pressed within 30 seconds, the SETUP screen will be exited without making any changes and the display will revert back to the default Status Display screen.

TARGET PRESSURE

The compressor will try to operate at this pressure setting. The target pressure ranges and step sizes for each unit of measure are listed in the table below.

Unit	Default	Min.	Max.	Step
PSI	115	65	150	1
BAR	8	4.5	10.3	0.1
KPa	793	45	1034	1

AUTO STOP PRESSURE

The compressor will stop once the system pressure rises to this pressure and the compressor is operating at the minimum speed. This auto stop pressure is a function of the target pressure and is indicated as the auto stop pressure plus an incremental value (e.g., 8 psi above the target pressure). The auto stop pressure ranges and step sizes for each unit of measure are listed in the table below.

Unit	Default	Min.	Max.	Step
PSI	+10	+5	+10	1
BAR	+0.7	+0.3	+0.7	0.1
KPa	+69	+34	+69	1

VFD/FIXED MODE

The unit can be set to run in VFD mode or Fixed speed mode. When the unit is running in VFD mode, the unit will run at its maximum allowable speed until the discharge pressure reaches the Target Pressure. Once the target pressure has been reached, the unit will regulate the compressor speed in order to maintain the discharge pressure at the target pressure setpoint. The compressor will stop if the discharge pressure reaches the automatic stop pressure setpoint. If the compressor stops for this reason, it will automatically restart when the system pressure falls below the target pressure. This mode of operation is called "Stopped in Auto Restart".

If the unit has been set to run in Fixed Speed mode, the unit will run at its maximum allowable speed until the discharge pressure reaches the Automatic stop pressure. The compressor will stop if the discharge pressure reaches the automatic stop pressure setpoint. If the compressor stops for this reason, it will automatically restart when the system pressure falls below the Target pressure.

VFD mode is the default mode of operation.

SCHEDULED START/STOP

Scheduled start/stop is an auto start/stop mode of operation based on the current time. A Scheduled Start Time is used to automatically start the compressor when the current time equals the Scheduled Start Time entered for the setpoint. A scheduled Stop time is used to automatically stop the compressor when the current time equals the Scheduled Stop time entered for the setpoint.

SCHEDULED START TIME

This is the Scheduled Start Time entry used for the Scheduled Start of the compressor. When the Scheduled Start/Stop mode is turned on, the current time equals this setpoint entry, and the compressor is not currently running, the compressor will automatically start. This setpoint is user adjustable by selecting the time value using the Left and Right arrow keys and scrolling to the desired value using the Up and Down Arrow keys.

SCHEDULED STOP TIME

This is the Scheduled Stop Time entry used for the Schedule Stop of the compressor. When the Scheduled Start/Stop mode is turned on, and the current time equals the setpoint entry, and the compressor is currently running, the compressor will automatically stop. This setpoint is user adjustable by selecting the time value using the Left and Right arrow keys and scrolling to the desired value using the Up and Down Arrow keys.

ENERGY SAVINGS RESET

This will reset the Energy Savings stored and display values to 0 and will begin calculating and storing new values from this point forward. This will not reset the Lifetime Energy Savings display.

MENU SCREEN

The MENU screen can be accessed by pressing the MENU button below the display screen.

The MENU screen is the point from which additional advanced compressor package setpoints, i.e., user-adjustable variables in the controller logic, can be accessed.

The name and value of each of the setpoints listed can be seen on the screen by moving the list up and down using the arrow keys.

The MENU parameter list is as follows:

- Set Time.
- Set Date.
- PORO.
- PORO Time.
- Remote Control.
- Modbus.
- Modbus Address.
- Modbus Baud Rate.
- Energy Rate.
- Units of Measure [A-PSI, B-Bar/kPa].
- Language [A-English, C-all others].

Set Time

This parameter is used to adjust the internal clock to the proper time. This parameter is user adjustable by selecting the time value using the Left and Right arrow keys and scrolling to the desired value using the Up and Down Arrow keys.

Set Date

This parameter is used to adjust the internal clock to the proper date. This parameter is user adjustable by selecting the date value using the Left and Right arrow keys and scrolling to the desired value using the Up and Down Arrow keys.

PORO

This parameter is used to adjust PORO times.

Modbus

This parameter is used to turn on and off the Modbus access through the serial port.

32 OPERATING INSTRUCTIONS

Modbus Address

This parameter is used to adjust the Modbus address to the desired value. This could be the decimal or hexadecimal value.

Modbus Baud Rate

This parameter is used to adjust the Modbus baud rate. It is selectable from 9600 Baud to Maximum the VFD is capable of. Step Size of standard Baud Rate increments. (9600, 19200, 38400, etc...).

Energy Rate

This parameter is the energy rate charged locally for use in the Power Savings calculation. It is user adjustable by selecting the units value using the Left and Right arrow keys and scrolling to the desired value using the Up and Down Arrow keys.

Units of Measure

This parameter is used to select the desired pressure engineering units, Psi, Bar, kPa. When the units of measure is changed all displays will immediately display pressure values in the newly selected units.

Language

This parameter is used to select between the multiple built-in display languages.

SERVICE SCREEN

The Service screen can be accessed by authorized service personnel only.

ALARMS

High Air Temperature Switch (HATS) Alarm – Occurs anytime the High Air Temperature Switch (HATS) digital input is opened.

P1 Sensor Calibration Failure – Alarm for P1 Pressure Sensor when a Sensor Calibration is attempted and the zero (0) PSI reading is greater than +/- 10%.

P2 Sensor Calibration Failure – Alarm for P2 Pressure Sensor when a Sensor Calibration is attempted and the zero (0) PSI reading is greater than +/- 10%.

P1 Pressure Sensor Failure – Alarm when the P1 pressure sensor current readings are below 3mA or above 21 mA.

P2 Pressure Sensor Failure – Alarm when the P2 pressure sensor current readings are below 3mA or above 21 mA.

Emergency Stop – Alarm anytime the Emergency Stop digital input is opened.

Incorrect Intellikey – Alarm – If an installed Intellikey does not match the drive size.

WARNINGS

VFD Faults – Drive Fault Codes – All drive faults will display a common error message with the existing error codes.

Dryer Stopped High Pressure – Warning – This is a condition detected when the Dryer is Enabled and the Dryer Status Switch input is open. The compressor continues to run and displays the warning message "Dryer Stopped High Pressure".

Immediate Stop Pressure Exceeded – Warning – This is a condition detected when the Immediate Stop Pressure has been exceeded. This is a warning condition that will stop the compressor and will automatically reset when the monitored pressure falls below the Target Pressure.

Dryer Delta Pressure – Warning – This is a condition detected when a dryer is installed and the difference between the Pressure Before Dryer and the Package Discharge Pressure readings exceed 20 PSI. The machine continues to run in a speed pressure mode, and displays the warning message "High Dryer DP".

Service Soon – Warning text "Service Soon" should appear in the warning display area above the bar graph when 20% or less time is remaining of service time, i.e., less than 400 compressor run time hrs or less than 1752 annual maintenance hrs remain.

Flashing Warning LED – During a "Service Soon" warning the warning LED should flash when 400 to 200 compressor runtime hours or when 1752 to 876 annual maintenance hours remain before service.

Solid Warning LED – During a "Service Soon" warning the warning LED should be on solid when less than 200 compressor runtime hours or when less than 876 annual maintenance hours are remaining.

Maintenance Due – Warning text message "Maintenance Due" should appear in the warning display area when the maintenance timer reaches zero.

PORO Or Scheduled Warning – "Compressor Start in XXX seconds" should be displayed for the PORO warning. "Scheduled Start in XXX seconds" should be displayed for the scheduled start warning. XXX is the time remaining before the actual start.

Maintenance Schedule

PERIOD	MAINTENANCE
Each 24 hours operation Visual check of machine for any leaks, dust build up or unusual noise or vibration When compressor is receiver mounted	Check the coolant level and replenish if necessary. Report immediately, contact Ingersoll Rand authorized distributor for assistance if in doubt Drain air receiver of condensate, or check that automatic drain is operating
Visual check condition of package pre -filter	Blow clean if needed
First 150 hours	Change the coolant filter.
Each month or 100 hours	Remove and clean package pre -filter, replace if needed Check the cooler(s) for build up of foreign matter. Clean if necessary by blowing out with air or by pressure washing.
Every 4 months	CONDENSER Remove any dust from the condenser fins. COMPRESSOR Make sure compressor power consumption complies with data plate specifications.

PERIOD	MAINTENANCE
Each year or 2000 hours	Check the operation of the high temperature protection switch (109 °C). Change the coolant filter. Check scavenge orifice for blockage, clean if required. Replace elements in IRGP and IRHE filters. Change the separator cartridge. Check motors w/grease fittings - grease bearings per motor data plate. Change the Air Filter element. Take coolant sample for fluid analysis. Change the package pre -filter. CONDENSATE DRAINS Completely disassemble the drains and clean all their components.
Every two years or 8000 hours	Replace the <i>Ultra Coolant</i> at whichever interval occurs first. Check and replace all items included within 2000 hour service
Every 4 years or 16000 hours	Replace sealed bearing without grease fittings on motors. Strip, clean and regrease or replace motor bearings on motors with grease fittings. Fit replacement electrical contactor tips.

ROUTINE MAINTENANCE

This section refers to the various components which require periodic maintenance and replacement.

It should be noted that the intervals between service requirement may be significantly reduced as a consequence of poor operating environment. This would include effects of atmospheric contamination and extremes of temperature.

The *SERVICE/MAINTENANCE CHART* indicates the various components' descriptions and the intervals when maintenance has to take place. Oil capacities, etc., can be found in the *GENERAL INFORMATION* section of this manual.

Compressed air can be dangerous if incorrectly handled. Before doing any work on the unit, ensure that all pressure is vented from the system and that the machine cannot be started accidentally.

CAUTION: Before beginning any work on the compressor, open, lock and tag the main electrical disconnect and close the isolation valve on the compressor discharge. Vent pressure from the unit by slowly unscrewing the coolant fill cap one turn. Unscrewing the fill cap opens a vent hole, drilled in the cap, allowing pressure to release to atmosphere. Do not remove the fill cap until all pressure has vented from the unit. Also vent piping by slightly opening the drain valve. When opening the drain valve or the coolant fill cap, stand clear of the valve discharge and wear appropriate eye protection.

Ensure that maintenance personnel are properly trained, competent and have read the Maintenance Manuals.

Prior to attempting any maintenance work, ensure that: -
 . all air pressure is fully discharged and isolated from the system. If the automatic blowdown valve is used for this purpose, then allow enough time for it to complete the operation.

- . the machine cannot be started accidentally or otherwise.
- . all residual electrical power sources (mains and battery) are isolated.
 - . Prior to opening or removing panels or covers to work **inside** a machine, ensure that: -
- . anyone entering the machine is aware of the reduced level of protection and the additional hazards, including hot surfaces and intermittently moving parts.
- . the machine cannot be started accidentally or otherwise.
 - . Prior to attempting any maintenance work on a **running** machine, ensure that: -

DANGER
 Only properly trained and competent persons should undertake any maintenance tasks with the compressor running or with electrical power connected.

- . the work carried out is limited to only those tasks which require the machine to run.
- . the work carried out with safety protection devices disabled or removed is limited to only those tasks which require the machine to be running with safety protection devices disabled or removed.
- . all hazards present are known (e.g. pressurised components, electrically live components, removed panels, covers and guards, extreme temperatures, inflow and outflow of air, intermittently moving parts, safety valve discharge etc.).
- . appropriate personal protective equipment is worn.

- . loose clothing, jewellery, long hair etc. is made safe.
- . warning signs indicating that *Maintenance Work is in Progress* are posted in a position that can be clearly seen.

Upon completion of maintenance tasks and prior to returning the machine into service, ensure that:-

- . the machine is suitably tested.
- . all guards and safety protection devices are refitted and correctly working.
- . all panels are replaced, canopy and doors closed.
- . hazardous materials are effectively contained and disposed of in a manner compliant with local or National environmental protection codes.

WARNING

Do not under any circumstances open any drain valve or remove components from the compressor without first ensuring that the compressor is FULLY SHUT – DOWN, power isolated and all air pressure relieved from the system.

Check dryer pressure gauge and vent dryer lines to zero pressure before servicing.

TOP UP COOLANT PROCEDURE

The reservoir is designed to prevent overflow. With warm unit stopped in the normal way, the sight glass level should be at the midpoint of the glass. The level should not drop beyond the bottom of the sight glass when running with a steady load.

CAUTION

Ensure that SSR ULTRA coolant is used. Failure to do so will void manufacturers warranty.

COOLANT CHANGE PROCEDURE

It is better to drain the coolant immediately after the compressor has been operating as the liquid will drain more easily and any contaminant will still be in suspension.

1. Stop the machine, electrically isolate and vent all trapped pressure.
2. Place a suitable container close to the drain valve.
3. Slowly remove fill/vent cap.
4. Remove plug from drain valve.
5. Open the drain valve and drain coolant into container.
6. Close the drain valve.
7. Replace plug in drain valve.
8. Refill the machine following the "top up coolant" procedure above. After initial fill, to purge any airlocks, the machine should be run for a few minutes before checking that the level is correct.
9. Top up as needed after running for five minutes.
10. Replace and tighten oil fill cap.
11. Dispose of waste properly.

COOLANT FILTER CHANGE PROCEDURE

1. Stop the machine, electrically isolate and vent all trapped pressure.
2. Loosen filter with the correct tool.
3. Remove the filter from the housing.
4. Place the old filter in a sealed bag and dispose of in a safe way.
5. Clean the mating face of the housing taking care to avoid any particles entering the machine.
6. Remove the new Ingersoll Rand replacement filter from its protective package.
7. Apply a small amount of lubricant to the filter seal.
8. Screw the new filter down until the seal makes contact with the housing, then hand tighten a further half turn.
9. Start the compressor and check for leaks.

AIR FILTER ELEMENT CHANGE PROCEDURE

1. Stop the machine, electrically isolate and vent all trapped pressure.
2. Unscrew the retaining cap and withdraw the old element.
3. Fit the new element.
4. Replace the retaining cap.

SEPARATOR CARTRIDGE CHANGE PROCEDURE

1. Stop the machine, electrically isolate and vent all trapped pressure.
2. Loosen separator cartridge with the correct tool.
3. Remove the cartridge from the housing; place it in a sealed bag and dispose of it safely.
4. Clean the mating face of the housing.
5. Remove the new Ingersoll Rand replacement cartridge from its protective package.
6. Apply a small amount of lubricant to the cartridge seal.
7. Screw the new cartridge down until the seal makes contact with the housing, then hand tighten a further half turn.
8. Start the compressor and check for leaks.

CAUTION

This unit is not designed or intended to operate when contaminated with silicone. Lubricants, greases or other items containing silicone should not be used on this unit.

COOLER CLEANING PROCEDURE

1. Stop the machine, electrically isolate and vent all trapped pressure.
2. Remove the rear cover to obtain access to the cooler.
3. Clean the cooler, blowing debris outward away from unit.
4. Rebuild in reverse order.

SETTING THE PRESSURE TRANSDUCER (PT)

TO CHECK THE MAXIMUM DISCHARGE PRESSURE
(Pressure transducer upper trip point)

Slowly close the isolation valve located adjacent to the compressor. Observe the rise in pressure and ensure that the pressure transducer opens at the correct Maximum discharge pressure.

The maximum discharge pressure is shown on the machine data plate.

DO NOT exceed these figures.

The compressor will stop once the system pressure rises to this pressure.

TO CHECK THE TARGET PRESSURE

Observe the line pressure fall and note the point at which the pressure transducer closes (and starts the compressor).

TO ADJUST THE TARGET PRESSURE

Remove the aircend enclosure panel and locate the POT. Turn the POT adjuster knob clockwise to increase the set point or anti-clockwise to decrease it.

TO CONVERT UNIT FROM VARIABLE SPEED MODE TO FIXED SPEED MODE.

Remove the aircend enclosure panel and locate the toggle switch. Since the switch is a 2-position, simply toggle between position to vary the mode.

ELECTRIC DRAIN VALVE

PRODUCT DESCRIPTION

The Electric Drain Valve removes condensed water and oil from the air receiver tank. Additional drains may be installed throughout your compressed air system, including aftercoolers, filters, drip legs and dryers.

The Electric Drain Valve operates on a timer which can be set to automatically drain the air receiver tank at operator-determined intervals.

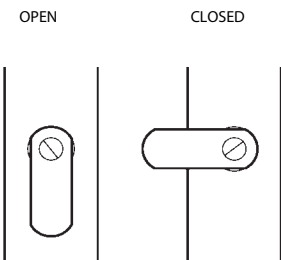
Key features include:

- 100% continuous duty
- NEMA 4 (IP 55) enclosure
- Adjustable time on (0.5 – 10 seconds)
- Adjustable time off (0.5 – 45 minutes)
- Stainless steel operator
- LED to indicate electrical power is on
- LED to indicate valve is open
- Manual override

OPERATION

1. Open the strainer ball valve.

Strainer Ball Valve.



2. Set the "time off" and "time on" knobs. See TIMER SETTINGS (below) for an explanation of the settings.
3. During compressor operation, check for air leaks.

TIMER SETTINGS

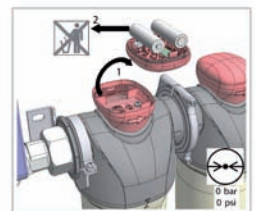
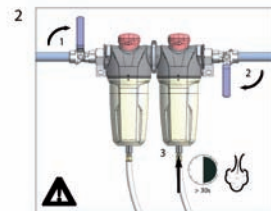
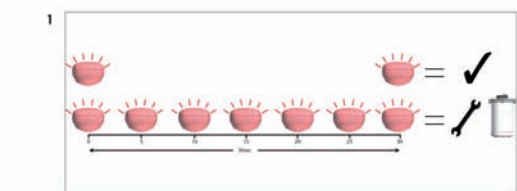
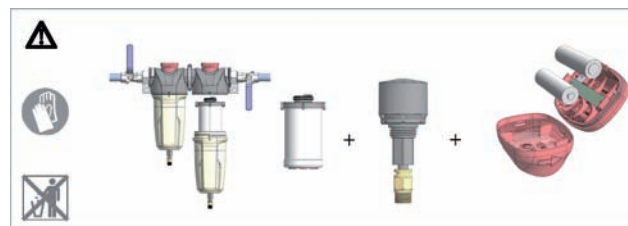
The "time off" setting determines the interval between cycles from 30 seconds to 45 minutes. The "time on" setting determines the actual time the compressor drains condensate.

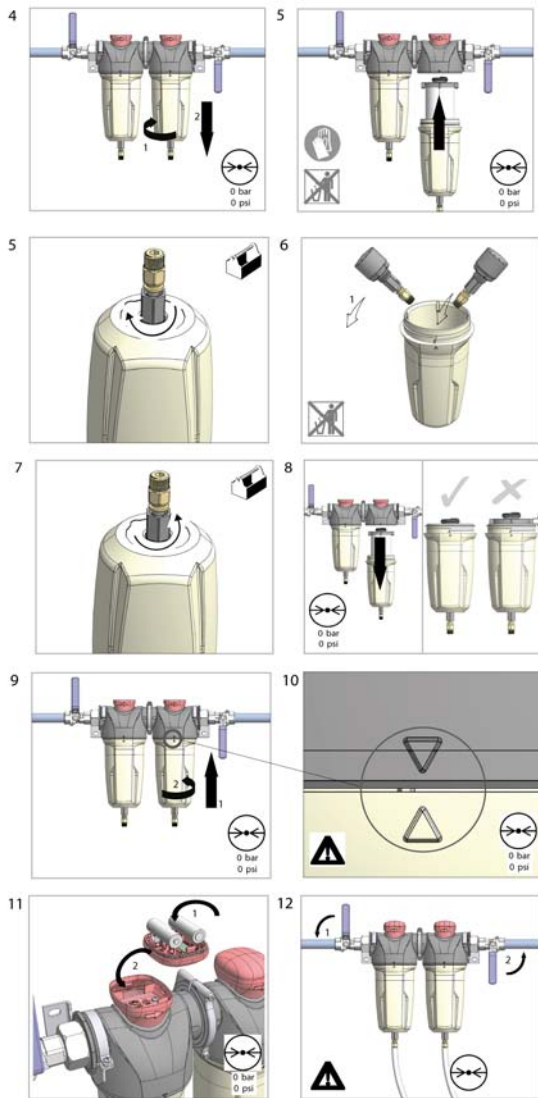
The timer's cycle rate and drain opening time should be adjusted to open just long enough to discharge the condensate. The timer is properly set when it opens and discharges condensate and then vents air for approximately one second before closing. Adjustments may be made depending on many factors, including humidity and duty cycle.

AIR FILTER MAINTENANCE

In order to ensure optimum compressed air quality the filter element should be replaced as follows. (Used filter elements must be disposed of in accordance with local regulations.)

Use only genuine Ingersoll Rand replacement elements.





DISASSEMBLING THE UNIT

The unit has been designed and constructed to guarantee continuous operation.

The long service life of some components such as the fan and compressor depends on good maintenance.

The unit must only be disassembled by a refrigerant specialist.

Refrigerant liquid, refrigeration components and lubricating oil inside the refrigeration circuit must be recovered in compliance with current norms in the country where the machine is installed.

RECYCLING DISASSEMBLY	
Frame and panels	Steel / epoxy resin polyester
Heat exchanger (cooler)	Stainless steel
Pipes	Copper
Insulation	Gum synthetic
Compressor	Steel / copper / aluminium / oil
Condenser	Aluminium
Refrigerant	R134a
Valve	Steel

REFRIGERANT LEAKS IN THE REFRIGERATION CIRCUIT

The unit is despatched in perfect working order, already charged.

Refrigerant leaks may be identified by tripping of the refrigeration overload protector.

IF A LEAK IS DETECTED IN THE REFRIGERANT CIRCUIT, SEEK TECHNICAL ASSISTANCE.

REFRIGERANT CHARGING

THIS OPERATION MUST ONLY BE PERFORMED BY A REFRIGERANT SPECIALIST.

WHEN REPAIRING THE REFRIGERANT CIRCUIT, COLLECT ALL THE REFRIGERANT IN A CONTAINER AND DISPOSE OF IT IN THE APPROPRIATE MANNER.

CHARACTERISTICS OF REFRIGERANT R134A

In normal temperature and pressure conditions the above refrigerant is a colorless, class A1/A1 gas with TVL value of 1000ppm (ASHRAE classification).

If a refrigerant leak occurs, thoroughly air the room before commencing work.

TROUBLESHOOTING

TROUBLE	CAUSE	ACTION
Solenoid condensate valve will not close.	1. Debris in solenoid valve prevents diaphragm from seating.	1. Remove solenoid valve, disassemble, clean and reassemble.
	2. Short in electrical component.	2. Check and replace power cord or timer as needed.
Drain timer will not operate.	1. No electrical supply.	1. Apply power.
	2. Timer malfunction.	2. Replace timer.
	3. Clogged port.	3. Clean valve.
	4. Solenoid valve malfunction.	4. Replace solenoid valve.
	5. Clogged strainer.	5. Clean strainer.

MAINTENANCE

Periodically clean the screen inside the valve to keep the drain functioning at maximum capacity. To do this, perform the following steps:

1. Close the strainer ball valve completely to isolate it from the air receiver tank.
2. Press the TEST button on the timer to vent the pressure remaining in the valve. Repeat until all pressure is removed.

CAUTION! High pressure air can cause injury from flying debris. Ensure the strainer ball valve is completely closed and pressure is released from the valve prior to cleaning.

3. Remove the plug from the strainer with a suitable wrench. If you hear air escaping from the cleaning port, STOP IMMEDIATELY and repeat steps 1 and 2.
4. Remove the stainless steel filter screen and clean it. Remove any debris that may be in the strainer body before replacing the filter screen.
5. Replace plug and tighten with wrench.
6. When putting the Electric Drain Valve back into service, press the TEST button to confirm proper function.

PROBLEM	CAUSE	REMEDY
Compressor fails to start	Mains power or Control voltage not available.	§ Check incoming power supply. § Check the control circuit fuse.
Machine shuts down periodically and indicates a fault condition	High airend temperature.	Top up coolant.
	Line voltage variation out of range.	§ Ensure voltage is correctly between operating limits and that no voltage spikes are being introduced into the supply by external equipment or power feed.
High current draw	Compressor operating above rated pressure.	Set pressure to correct rating for machine.
	Separator cartridge contaminated.	Change air filter, and separator cartridge.
	Low voltage.	§ Ensure voltage does not drop below 10% on start up and 6% running.
	Unbalanced voltage.	Correct incoming supply voltage.
	Damaged airend.	† Change Airend.
	Compressed air filter(s) contaminated.	Replace air filter(s).
Low current draw	Air filter contaminated.	Change air filter.
	Compressor operating unloaded.	Set pressure to correct rating for machine.
	High voltage.	Reduce site voltage to correct operating voltage.
High discharge pressure	Defective or incorrect pressure switch setting.	Replace or set pressure to correct rating for machine.
	Inlet valve malfunction.	† Fit inlet valve service kit.
Low system air pressure	Separator cartridge contaminated.	Fit new Separator cartridge.
	Incorrect pressure transducer setting	Set pressure to correct rating for machine.
	Minimum pressure valve malfunction.	† Fit Minimum pressure valve service kit.
	Air system leaks.	† Fix leaks.
	Inlet valve malfunction.	† Fit inlet valve service kit.
	System demand exceeds compressor delivery.	Reduce demand or install additional compressor.
High dewpoint	Refrigeration compressor not supplied power.	Check incoming power supply.
		Check the dryer protection fuse.
		Check auxiliary contact on main motor contactor.
	Condensate system malfunction.	Check operation of drain valve.
		Check operation of condensate check valves.
	Condenser dirty.	Clean condenser and replace panel filter element.
Ice formation in dryer	Low evaporator pressure.	Check hot gas valve setting.

NOTES:

§ Must be carried out by a competent electrician.

† This work is recommended to be carried out only by an Ingersoll Rand authorized service technician.

38 TROUBLE SHOOTING

PROBLEM	CAUSE	REMEDY
Compressor trips due to over temperature	Compressor module operating above rated pressure.	Set pressure to correct rating for machine. 1. Blocked filters 2. Blocked separator cartridge 3. Restricted air flow through dryer
	Package pre-filter blocked.	Clean / replace package pre-filter.
	Cooler blocked.	Clean cooler.
	Missing or incorrectly fitted enclosure panels	Ensure that all enclosure panels are correctly fitted
	Low coolant level.	Top up coolant and check for leaks.
	High ambient temperature.	Re-site compressor.
	Restricted cooling air flow.	Ensure correct air flow to compressor.
Excessive coolant consumption	Separator cartridge leak.	Fit new Separator cartridge.
	Blocked separator cartridge drain.	† Remove fittings and clean.
	Compressor operating below rated pressure.	Set pressure to correct rating for machine.
	Coolant system leak.	† Fix leaks.
Excessive noise level	Air system leaks.	† Fix leaks.
	Airend defective.	† Change Airend.
	Motor defective.	† Replace motor.
	Loose components.	† Retighten loose items.
Shaft seal leaking	Defective shaft seal.	† Fit Airend shaft seal kit.
Pressure relief valve opens	Defective transducer or incorrect pressure transducer setting	Replace or set pressure to correct rating for machine.
	Minimum pressure valve malfunction.	† Fit Minimum pressure valve service kit.
	Inlet valve malfunction.	† Fit inlet valve service kit.
	Compressed air filter(s) contaminated.	Replace air filter(s).
	Blocked separator cartridge	Clean / replace separator cartridge.
	Blocked compressed air filters	Clean / replace compressed air filters.
	Frozen condensate in dryer	Check hot gas bypass valve. Ensure ambient temperature is greater than 35°F (2°C).

NOTES:

§ Must be carried out by a competent electrician.

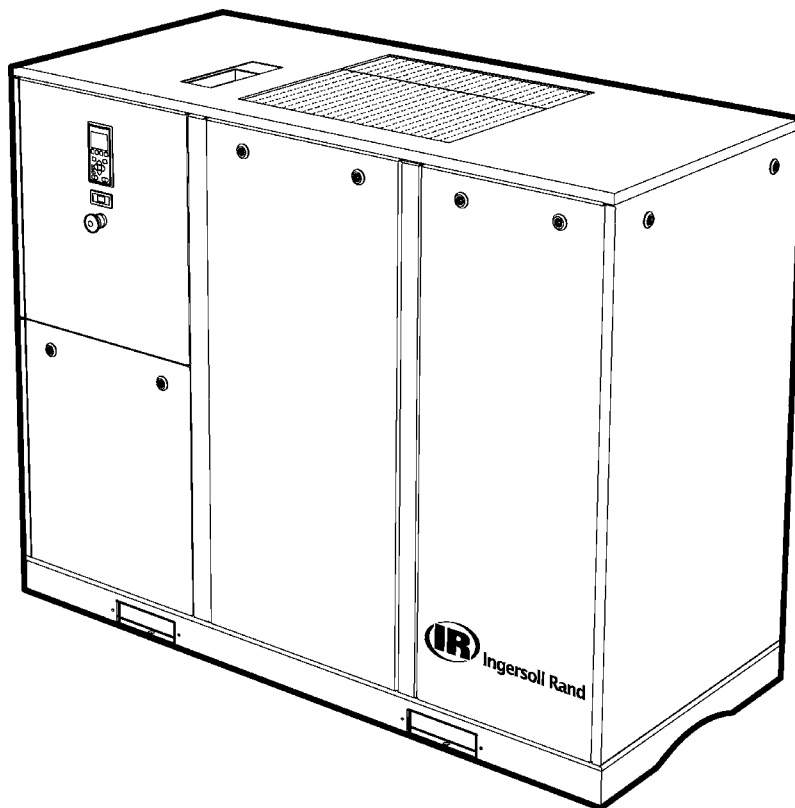
† This work is recommended to be carried out only by an Ingersoll Rand authorized service technician.

Ingersoll Rand

IRN 15 – 18.5 kW (20 – 25 HP)

IRN 22 – 30 kW (30 – 40 HP)

MANUEL D'UTILISATION ET D'ENTRETIEN



Vérifier que l'opérateur lise et *compre*ne les étiquettes, consulte les manuels avant toute opération et maintenance

Il ne faut pas enlever le Manuel d'Utilisation et d'Entretien de la machine d'une manière permanente.

Assurez-vous que les personnels de maintenance sont formés d'une manière adéquate, qu'ils sont compétents et qu'ils ont lu les Manuels de Maintenance.

C.C.N. : 80445364 fr

REV. : A

DATE : OCTOBER 2008

GROUPE DE COMPRESSEUR D'AIR GARANTIE PAR OBLIGATION ET DEMARRAGE ENREGISTRE

Garantie

La Société garantit pendant une période de un an à partir de la date de mise en exploitation ou de un an et demi à partir de la date d'expédition de l'usine (selon la date advenant la première), que l'Équipement qu'elle a fabriqué et livré ne présente aucune anomalie, ni de matériaux, ni de main-d'œuvre. L'Acheteur doit rendre compte au plus tôt de tout manquement à cette garantie, en envoyant une correspondance à la Société au cours de ladite période; ce faisant, la Société rectifiera cette anomalie, selon son bon droit, en effectuant la réparation adéquate au-dit équipement ou fournira une pièce en échange FOB jusqu'au lieu d'expédition, pourvu que l'Acheteur ait stocké, installé et exploité cet Equipement conformément aux méthodes utilisées dans l'Industrie et qu'il se soit conformé aux recommandations spécifiques de la Société.

Les accessoires ou les équipements fournis par la Société, mais fabriqués par d'autres, seront garantis selon les garanties offertes par ces constructeurs à la Société et qui peuvent être transférées à l'Acheteur. La Société ne sera pas responsable de réparations, d'échanges ou de réglages d'Équipements ou de frais de main-d'œuvre effectués par l'Acheteur ou autres sans autorisation par écrit préalable de la Société.

Les effets de corrosion, d'érosion, de déchirement et d'usure normale sont exclus de cette garantie. Les garanties d'exécution sont limitées à celles spécifiquement citées dans la proposition de la Compagnie. A moins que la responsabilité de satisfaire à de telles garanties d'exécution soit limitée à des essais stipulés, l'obligation de la Compagnie est de procéder à la correction de la manière et dans la période définie ci-dessus.

LA COMPAGNIE N'ETABLIT AUCUNE AUTRE GARANTIE OU REPRESENTATION QUELLE QUE SOIT SA NATURE, EXPRIMEE OU IMPLICITE, A L'EXCEPTION DE CELLE DEFINIE CI-DESSUS. TOUTES LES AUTRES GARANTIES, DE VALEUR MARCHANDE ET D'ADAPTATION A UN USAGE PARTICULIER, SONT PAR LA PRESENTE DISPOSITION NIEES.

Par la correction des non-conformités, qu'elles soient cachées ou manifestes, de la manière et dans la période définie ci-dessus, la Compagnie aura entièrement répondu à toutes ses obligations. Que ces obligations découlent du contrat, de la garantie, d'une omission, d'une indemnité, d'une stricte responsabilité ou autrement, et relative ou alors provenant de tels équipements.

L'Acquéreur ne doit en aucun cas utiliser un équipement considéré défectueux avant de notifier ses intentions par écrit à la Compagnie. Tous les risques que peut courir l'utilisation d'un tel équipement sans notification préalable de la Compagnie, seront de la responsabilité et à la charge de l'Acquéreur.

Notez qu'il s'agit d'une garantie standard Ingersoll Rand. Toute garantie en application au moment de l'acquisition d'un compresseur ou alors, négociée en tant que partie intégrante de la commande, peut avoir la priorité sur cette garantie.

Enregistrez-vous directement en ligne sur <http://air.ingersollrand.com>

Ingersoll Rand
Industrial Air Solutions
Swan Lane
Hindley Green
Wigan WN2 4EZ

Ingersoll Rand Asia Pacific
C/O Ingersoll Rand South East Asia (Pte) Ltd.
42 Benoi Road
Singapore 629903

Ingersoll Rand
Industrial Air Solutions
P.O. Box 1840
800-D Beaty Street
Davidson, NC 28036



CONTENU		ABRÉVIATIONS & SYMBOLES	
1	CONTENU	####	Contact Ingersoll Rand pour le numéro de série.
2	AVANT-PROPOS	->####	Jusqu'au no. de série
3	DECALS	####->	A partir du no. de série
9	SECURITES	*	Non illustré
11	INFORMATIONS GÉNÉRALES	†	Option
17	INSTALLATION/ MANUTENTION	NR	Non nécessaire
29	INSTRUCTIONS DE MARCHÉ	AR	Comme demandé
34	MAINTENANCE	SM	Sitemaster/Sitepack
40	RECHERCHE DE DÉFAUTS	HA	Machine haute température
		WC	Machine refroidie par eau
		AC	Machine refroidie par air
		ERS	Système de récupération d'énergie
		T.E.F.C.	Moteur de ventilateur totalement fermé (IP54)
		O.D.P.	Drain goutte-à-goutte (moteur)
		Ppm	parties par million

Le contenu de ce manuel est considéré comme appartenant à Ingersoll Rand et comme confidentiel et ne doit pas être reproduit pour distribution sans le consentement écrit préalable de la Société Ingersoll Rand.

Aucun élément du contenu de ce document n'est entendu comme représentant aucune promesse, garantie, ni représentation, ni explicites, ni implicites, eut égard aux produits qui y sont décrits. Toutes garanties de cette nature ou tous autres termes et conditions de vente des produits devront être conformes aux termes et conditions standard de la Société Ingersoll Rand pour la vente desdits produits, termes et conditions que l'on pourra obtenir sur demande.

Ce manuel contient des instructions et des données techniques qui couvrent toutes les opérations et les tâches de maintenance régulière à effectuer par le personnel d'exploitation et de maintenance. Les révisions générales sortent du cadre de ce manuel et doivent être renvoyées à un service d'entretien agréé Ingersoll Rand.

Les spécifications calculées de cette machine ont été homologuées comme étant conformes aux directives de la CEE. Toute modification d'une pièce quelconque est absolument interdite et aurait pour conséquence l'invalidation de l'homologation CEE et de sa nomenclature.

Tous les composants, accessoires, tuyauteries et connecteurs ajoutés au système de compression pneumatique doivent être:

- . De bonne qualité, produits par un fabricant de bonne réputation et d'un type agréé par Ingersoll Rand toutes les fois que cela s'avère possible.
- . Tarés clairement à une pression au moins égale à la pression opérationnelle maximale autorisée de l'équipement.
- . Compatibles avec les produits de lubrification et de refroidissement du compresseur.
- . Accompagnés d'instructions pour pouvoir effectuer l'installation sans danger, ainsi que pour pouvoir en assurer l'exploitation et la maintenance sans problèmes.

Les détails concernant les équipements homologués sont disponibles auprès des Services d'Entretien Ingersoll Rand.

L'utilisation de pièces détachées qui ne sont pas d'origine (autres que celles incluses dans la liste de pièces agréées par Ingersoll Rand) risque de créer des conditions dangereuses, vis-à-vis desquelles Ingersoll Rand n'a aucun contrôle. En conséquence, Ingersoll Rand décline toute responsabilité quant aux pertes provoquées par un équipement qui comporte des pièces non-agrées. Les conditions de la garantie standard risquent d'être affectées.

La Société Ingersoll Rand se réserve le droit d'apporter des modifications ou d'ajouter des perfectionnements aux produits sans préavis et sans encourir en quoi que ce soit l'obligation d'apporter de telles modifications ni d'ajouter de tels perfectionnements aux produits vendus antérieurement.

Les utilisations prévues pour cette machine sont précisées ci-dessous; des exemples d'utilisation interdites sont également illustrées. Néanmoins, Ingersoll Rand ne peut par prévoir toutes les utilisations ou tous les types de travaux qui peuvent se présenter.

EN CAS DE DOUTE, REFEREZ-VOUS A VOTRE SUPERVISEUR.

Cette machine a été étudiée et a été fournie pour être utilisée uniquement dans les conditions de travail et les utilisations spécifiées ci-dessous:

- . Compression d'air ambiant normal ne contenant aucun gaz, aucune vapeur ou particules supplémentaires connus ou décelables.
- . Fonctionnement dans la gamme de températures spécifiées dans la section *INFORMATIONS GENERALES* de ce manuel.

L'utilisation de cette machine dans une des situations énumérées dans le Tableau 1:-

- a) Est interdite par Ingersoll Rand**
- b) Risque d'affecter la sécurité des utilisateurs ou d'autres personnes,**
- c) Risque d'affecter les réclamations faites à l'encontre d'Ingersoll Rand.**

TABLEAU 1

Utilisation de la machine pour produire de l'air comprimé pour:

- a) Une consommation humaine directe.
- b) Une consommation humaine indirecte sans filtration adéquate et vérifications de la pureté.

Utilisation de la machine en-dehors de la plage de températures ambiantes spécifiées dans la *Section INFORMATIONS GENERALES* de ce Manuel.

Utilisation de la machine dans les endroits où il y a un risque présent ou prévisible de niveaux dangereux de gaz ou de vapeurs inflammables.

CETTE MACHINE N'EST PAS DESTINÉE À ÊTRE UTILISÉE ET NE DOIT PAS ÊTRE UTILISÉE DANS DES ATMOSPHÈRES POTENTIELLEMENT EXPLOSIVES, Y COMPRIS LORSQUE DES GAZ OU DES VAPEURS INFLAMMABLES PEUVENT ÊTRE PRÉSENTS.

Utilisation de la machine avec des *pièces installées, non homologuées par Ingersoll Rand.*

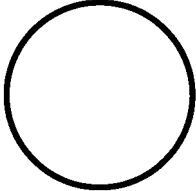
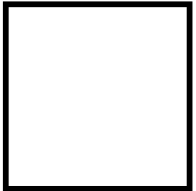




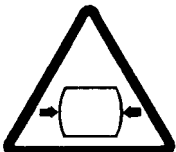



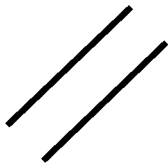

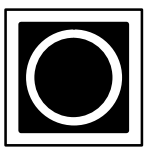





Utilisation de la machine avec des composants ayant trait à la sécurité qui manquent ou qui sont neutralisés.

La société n'accepte aucune responsabilité en cas d'erreur dans la traduction de ce Manuel, à partir de la version anglaise.

© COPYRIGHT 2008
INGERSOLL RAND COMPANY LIMITED

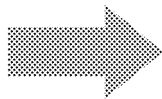
SYMBOLES ISO

STRUCTURE GRAPHIQUE ET SIGNIFICATION DES SYMBOLES ISO

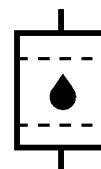
 Interdiction/Obligatoire	 Informations/Instructions	 Avertissement
 ATTENTION! – Risque d'électrocution.	 ATTENTION! – Récipient sous pression	 ATTENTION! – Surface chaude.
 ATTENTION! – Composant ou système sous pression.	 ATTENTION! – Flux d'air/gaz – Décharge d'air.	 Ne pas respirer l'air comprimé de cette machine.
 Pour le levage avec fourche, n'utiliser que ce côté.	 RECALAGE	 Ne pas utiliser de fourche pour soulever de ce côté.
 Arrêt d'urgence.	 Marche.	 Arrêt
 Lire le manuel d'utilisation et de maintenance de cette machine avant d'intervenir.	 Ne pas utiliser sans les protections équipant cette machine.	 Point de levage.



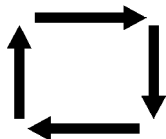
ROTATION



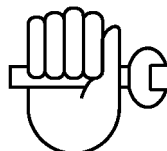
SORTIE D'AIR COMPRI ME



FILTRE DU LIQUIDE DE
REFROIDISSEMENT



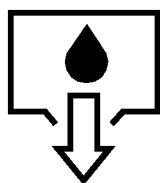
REDEMARRAGE AUTOMATIQUE



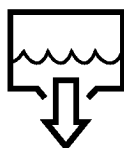
MAINTENANCE



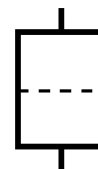
INTERDICTIONS - MAINTENANCE



PURGE DE LIQUIDE DE
REFROIDISSEMENT



PURGE DE CONDENSAT



FILTRE



FRAGILE



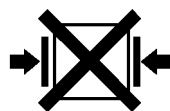
CONSERVEZ AU SEC



A ORIENTER VERS LE HAUT



INTERDICTION D'UTILISER DES
CROCHETS



INTERDICTION D'UTILISER DES
ATTACHES LATERALES



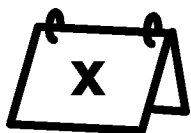
HEURES



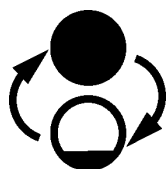
PUISSANCE



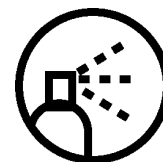
CONTROLER



Tous les X mois si le nombre total requis d'heures de fonctionnement n'est pas atteint



CHANGER / REMPLACER



NETTOYER.



PRISE D'ALIMENTATION (AC)



Danger point de pincement.
Maintenez les mains à distance.

SYMBOLES ANSI**STRUCTURE GRAPHIQUE ET SIGNIFICATION DES SYMBOLES ANSI****⚠ DANGER**

AIR D'ADMISSION. Peut contenir du monoxyde de carbone ou d'autres contaminants. Cause des blessures graves ou la mort. Les compresseurs Ingersoll Rand n'ont pas été conçus, ni destinés, ni approuvés pour la compression d'air respirable. L'air comprimé ne doit pas être utilisé pour la respiration à moins qu'il n'ait été traité d'après les normes et règlements en vigueur pour cette application.

⚠ AVERTISSEMENT

TENSION DANGEREUSE. Peut causer des blessures graves ou la mort. Débrancher l'alimentation et aérer la pression du réservoir avant l'entretien. Verrouiller/étiqueter l'appareil. Le connecteur doit être connecté à un circuit correctement mis à la terre. Voir les Instructions de mise à la terre dans le manuel. Ne pas faire marcher le compresseur dans un environnement mouillé. Stocker à l'intérieur.



RISQUE D'INCENDIE OU D'EXPLOSION. Les arcs électriques produits par les composants du compresseur peuvent enflammer les liquides et vapeurs inflammables, ce qui peut causer des blessures graves. Ne jamais faire marcher le compresseur à proximité des liquides ou vapeurs inflammables. S'il est utilisé pour vaporiser des matières inflammables, garder le compresseur à 6 mètres (20 pieds) au moins de la zone de vaporisation.



AIR HAUTE PRESSION. Les réservoirs rouillés peuvent causer des explosions et des blessures graves ou la mort. Récepteur sous pression. L'opérateur doit détendre la pression du réservoir avant d'effectuer l'entretien. En plus de la vidange automatique, actionner la soupape de vidange manuelle chaque semaine. La soupape de vidange manuelle est située au fond du réservoir.



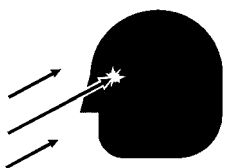
PIECES TOURNANTES. Peut causer des blessures graves. Ne pas opérer sans protections. La machine peut commencer automatiquement. Débrancher avant le service. Verrouiller/étiqueter la machine.



SURFACE CHAUDE. Peut causer des blessures graves. Ne pas toucher. Attendre le refroidissement avant de réparer. Ne pas toucher le compresseur ou le tubage chauds.



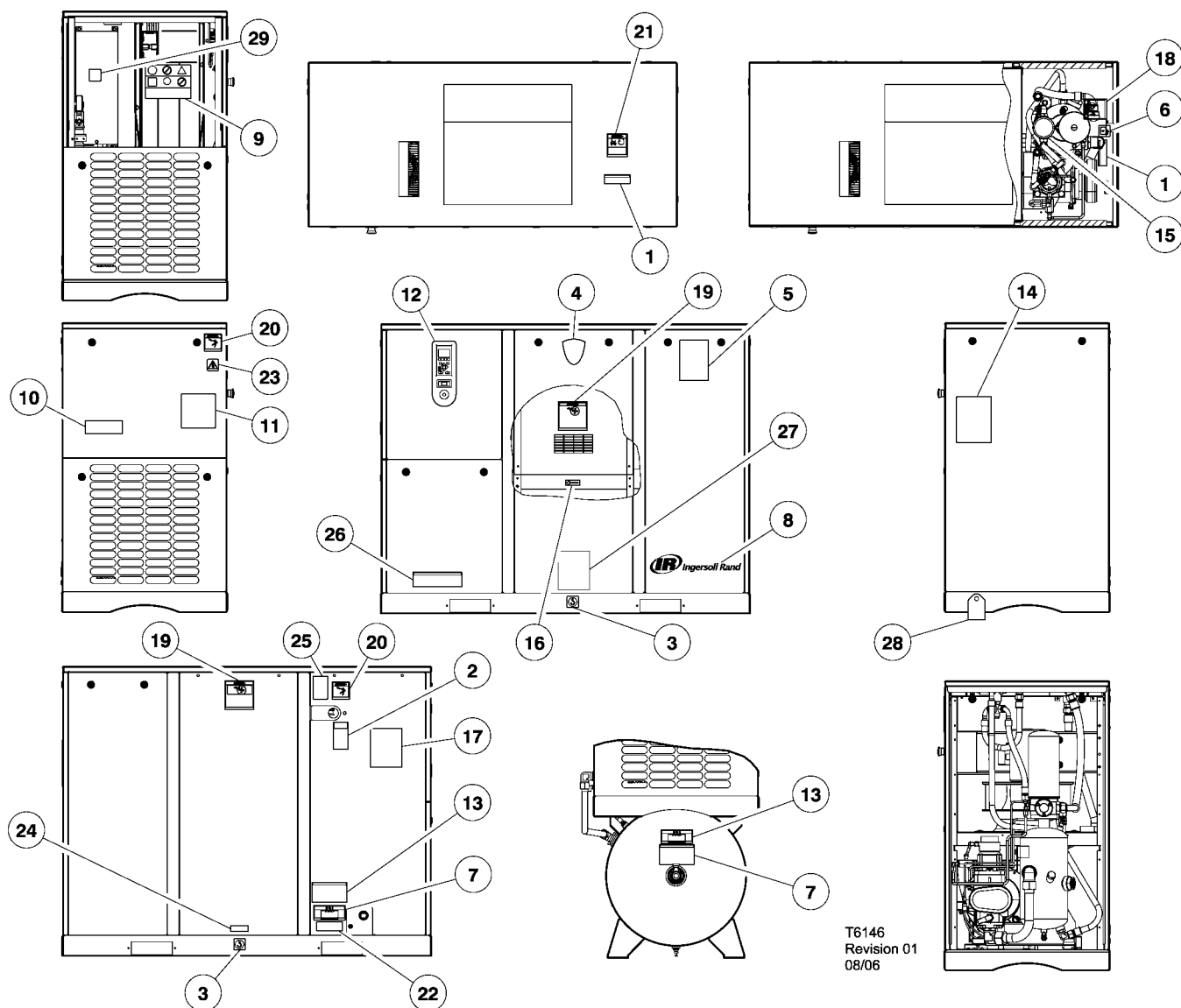
Courroies et poulies mobiles exposées.
Peuvent causer des blessures graves ou la mort.
Ne pas faire marcher sans la protection en place. Déconnecter l'alimentation avant d'effectuer l'entretien.
Verrouiller/étiqueter la machine.



Le courant d'air d'échappement peut entraîner des débris.
Il faut porter un équipement de protection de sécurité en permanence.



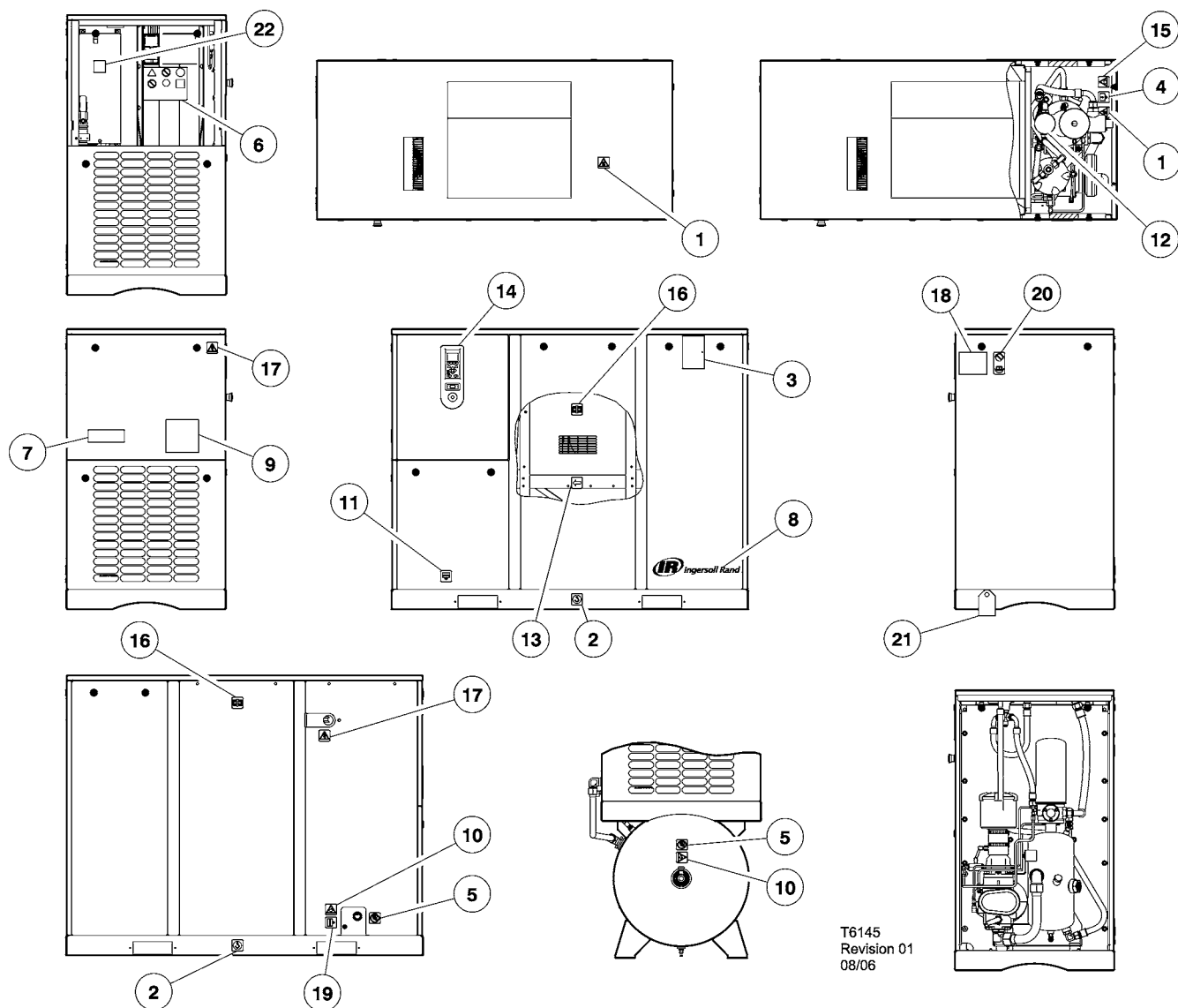
Danger point de pincement.
Maintenez les mains à distance.



T6146
Revision 01
08/06

Article	nic	Quantité	Description	Article	nic	Quantité	Description
1	32343584	2	Autocollant, attention-danger surface chaude	16	30286686	1	Autocollant, flèche indiquant le sens de rotation
2	32343907	1	Autocollant, verrouiller en position ouverte et mettre une étiquette	17	22794739	1	Autocollant, schéma électrique
3	93171262	2	Autocollant, soulever ici	18	32343527	1	Autocollant, attention-danger pression élevée
4	81295990	1	Autocollant, Air Shield USA	19	32343550	2	Autocollant, attention-danger ventilateur exposé
5	22064562	1	Autocollant, AirCare	20	32343568	2	Autocollant, attention-danger tension dangereuse
6	93166460	1	Autocollant, vidange liquide de refroidissement	21	32343899	1	Autocollant, attention-danger protection de débris
7	32343519	2	Autocollant, danger air contaminé	22	22181663	1	Autocollant, purge
8	22806897	1	Autocollant, logo Ingersoll Rand	23	92930593	1	Autocollant, choc électrique
9	22066302	1	Autocollant, quinze minutes avant maintenance	24	32276321	1	Autocollant, autocollant instruction de sécurité de Californie
10	22814545	1	Autocollant, vanne de dérivation de sécheur	25	22394381	1	Autocollant, entrée d'alimentation
11	-	1	Autocollant, numéro de modèle	26	32343576	1	Autocollant, vidange automatique (fixation sur réservoir uniquement)
12	22806871	1	Autocollant, tableau	27	22547145	1	Autocollant, circuit d'air total (modèles de sécheur uniquement)
13	32343543	2	Autocollant, attention refoulement d'air	28	22923015	1	Étiquette, transport
14	23353238	1	Autocollant, programme de maintenance.	29	-	1	Décalcomanie, tension
15	93166502	1	Autocollant, élément filtrant de rechange				

8 DECALS (I.S.O.)



T6145
Revision 01
08/06

Article	nic	Quantité	Description	Article	nic	Quantité	Description
1	92867530	2	Autocollant, attention-danger surface chaude	11	93166478	1	Autocollant, purge automatique
2	93171262	2	Autocollant, soulever ici (fixation sur base uniquement)	12	93166502	1	Autocollant, élément filtrant de rechange
3	22062319	1	Autocollant, Etiquette, AirCare Savez-vous	13	93165983	1	Autocollant, flèche indiquant le sens de rotation
4	93166460	1	Autocollant, vidange liquide de refroidissement	14	22806871	1	Autocollant, tableau
5	92867407	2	Autocollant: Ne pas avaler	15	92930585	1	Autocollant, Réservoir de pression
6	22066302	1	Autocollant, quinze minutes avant maintenance	16	93165959	2	Autocollant, durant le fonctionnement, utiliser des gaines protectrices contre les accidents.
7	22814545	1	Autocollant, vanne de dérivation de sécheur	17	92930593	2	Autocollant, choc électrique
	22539431	1	Autocollant, panneau de commande Ensembles non sécheurs	18	22816797	1	Autocollant, programme de maintenance.
8	16543464	1	Autocollant, logo Ingersoll Rand	19	93166478	1	Autocollant, purge de condensats
9	-	1	Autocollant, numéro de modèle	20	92930668	1	Autocollant, pas de maintenance sans consulter d'abord le manuel
10	92867498	2	Autocollant, refoulement d'air	21	22923015	1	Étiquette, transport
				22	-	1	Décalcomanie, tension

DANGER!

Ignorés, ces risques peuvent être **MORTELS**. Ils peuvent entraîner des **BLESSURES GRAVES** ou des dommages importants à la propriété. Les instructions doivent être suivies avec soins pour éviter les risques de blessures ou le danger de mort.

AVERTISSEMENT!

Ignorés, ces risques peuvent être **MORTELS**. Ils peuvent entraîner des **BLESSURES GRAVES** ou des dommages importants à la propriété. Les avertissements doivent être suivis avec soins pour éviter les risques de blessures ou le danger de mort.

PRECAUTIONS

L'indication "PRÉCAUTION" précise que les instructions doivent être suivies absolument pour éviter d'endommager la procédure, le processus ou son environnement.

NOTES

L'indication "NOTE" donne des compléments d'information.

PRECAUTIONS CONTRE L'UTILISATION POUR LA RESPIRATION

Les compresseurs d'air comprimé Ingersoll Rand ne sont pas conçus, destinés ou approuvés pour utilisation dans les applications de respiration artificielle. L'air comprimé ne doit pas être utilisé dans les applications de respiration à moins qu'il ne soit traité conformément aux codes et réglementations en application.

Informations générales

Vérifier que l'opérateur lise et *compre*ne les étiquettes, consulte les manuels avant toute opération et maintenance.

Il faut s'assurer que le manuel d'utilisation et d'entretien ne serait pas enlevé de la machine.

Assurez-vous que les personnels de maintenance sont formés d'une manière adéquate, qu'ils sont compétents et qu'ils ont lu les Manuels de Maintenance.

Il ne faut pas diriger les jets d'air et les pulvérisateurs vers quelqu'un.

L'air comprimé et l'électricité peuvent être dangereux. Avant d'entreprendre un travail quelconque sur le compresseur, il faut s'assurer que le compresseur a été isolé électriquement (coupure du courant d'alimentation) et qu'il n'est plus sous pression.

Porter des lunettes de protection durant le fonctionnement et l'entretien du compresseur.

Toutes les personnes qui se trouvent à proximité de machines en fonctionnement doivent être pourvues de protection pour les oreilles et doivent avoir reçu les instructions nécessaires sur son utilisation, selon les réglementations d'hygiène du lieu de travail considéré.

S'assurer que tous les capots de protection soient en place et que les capots ou portes soient fermés pendant la mise-en-route.

Les spécifications de cette machine sont telles qu'elle ne doit pas être utilisée dans des zones où il y a risque d'inflammation de gaz.

L'installation de ce compresseur doit être en accordance avec la codification de sécurité locale.

L'utilisation de bols en plastique est dangereuse. Ces bols peuvent être affectés par des lubrifiants synthétiques ou les produits additifs utilisés dans les huiles minérales. Ingersoll Rand recommande que seuls des filtres à bols métalliques soient installés dans un système pressurisé.

Air comprimé

L'air comprimé peut être dangereux s'il est mal utilisé. Avant d'intervenir sur la machine, s'assurer que toutes les pressions soient éliminées du système et que la machine ne peut être démarrée accidentellement.

ATTENTION-DANGER

En imposant un arrêt normal ou un arrêt d'urgence sur le compresseur, on annulera la pression uniquement en amont de la soupape de pression minimum en haut du réservoir du séparateur.

Si l'on doit effectuer une opération de maintenance en aval de cette soupape, vérifiez que la pression est complètement annulée au point d'aération à l'extérieur du compresseur.

Assurez-vous que la machine fonctionne à la pression calculée et que cette pression est connue par tous les personnels concernés.

Tous les équipements à air comprimé installés ou connectés sur la machine doivent avoir des pressions calculées équivalentes au moins à la pression calculée de la machine.

Si plusieurs compresseurs sont raccordés sur une installation en aval commune, il faut installer des robinets d'isolation efficaces et qui soient contrôlés par des procédures d'atelier, de telle sorte qu'une machine ne puisse pas être accidentellement mise sous pression ou sur-comprimée par une autre.

Il ne faut pas se servir d'air comprimé pour alimenter directement des systèmes ou des masques respiratoires quelconques.

L'air d'évacuation contient un très faible pourcentage de lubrifiant comprimé, un soin doit par conséquent être pris pour installer un équipement compatible à l'aval.

Si l'air comprimé doit être utilisé dans un espace confiné, il faut qu'il y ait une ventilation adéquate.

Lors de l'utilisation d'air comprimé, utilisez toujours des vêtements de protection appropriés.

Toutes les pièces sous pression, et plus particulièrement les tuyaux souples et leurs couplages, doivent être inspectées régulièrement, ne comporter aucun défaut et être remplacées en fonction des instructions du Manuel.

L'air comprimé peut être dangereux s'il est mal utilisé. Avant d'intervenir sur la machine, s'assurer que toutes les pressions soient éliminées du système et que la machine ne peut être démarrée accidentellement.

Eviter le contact humain avec l'air comprimé.

Le fonctionnement correct de tous les robinets de sécurité situés dans le réservoir séparateur doit être vérifié régulièrement.

Il ne faut pas soumettre le réservoir d'air comprimé ou réservoir similaire à des pressions supérieures aux pressions maximales de service.

Il ne faut pas utiliser des réservoirs d'air comprimé ou réservoirs similaires qui ne répondent pas aux conditions requises de conception. Demander l'assistance de votre distributeur local.

Il ne faut pas effectuer des perçages, souder ou autrement modifier le réservoir d'air comprimé ou réservoirs similaires.

Avant de procéder à l'entretien du groupe, le mettre en communication avec l'atmosphère avant de couper l'alimentation électrique, en vérifiant que le manomètre indique une pression nulle.

Matériaux

Les produits suivants sont utilisés pour cette machine et *peuvent* être dangereux pour la santé s'ils sont utilisés incorrectement:

- . graisse de protection,
- . anti-rouille,
- . coolant
- . réfrigérant

NE PAS AVALER, METTRE EN CONTACT AVEC LA PEAU, NI INHALER LES EMANATIONS

Transport

Lors du transport des machines assurez-vous que les points de levage et d'ancrage spécifiés sont utilisés.

Les équipements de levage doivent être de capacité convenable pour supporter la manutention du compresseur.

Il ne faut pas travailler ou marcher en dessous du compresseur pendant sa manutention.

Electricité

N'approchez aucune partie de votre corps, aucun outil manuel ou autre objet conducteur d'électricité, des sections du circuit électrique exposées et sous tension. Assurez-vous que vos pieds restent au sec et que vos chaussures ne quittent pas les surfaces isolantes et ne touchez à aucune autre pièce du compresseur lorsque vous modifiez ou que vous réparez des parties du circuit électrique sous tension et exposées.

DANGER!

Toutes les connexions ou les réglages électriques ne doivent être exécutés que par un électricien qualifié.

Fermez et verrouillez toutes les trappes d'accès lorsque le compresseur n'est pas surveillé.

Interdiction d'utiliser des extincteurs d'incendies de la Classe A ou B sur des incendies d'origine électrique. N'utilisez que des extincteurs appropriés pour les incendies de la Classe BC ou ABC.

N'effectuez les réparations que dans des zones propres, sèches, bien éclairées et bien ventilées.

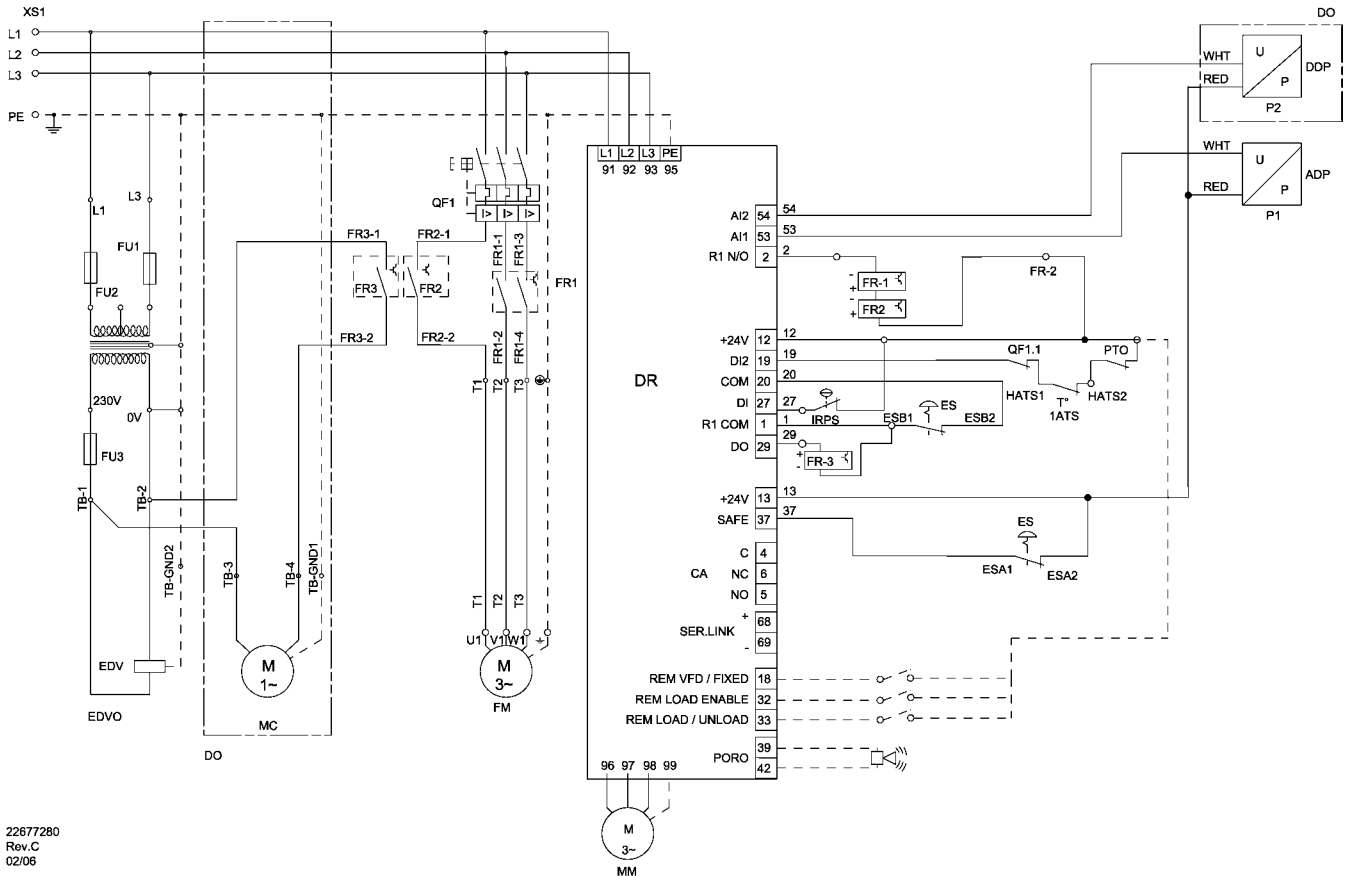
Ne branchez le compresseur que sur des systèmes électriques qui sont compatibles avec les caractéristiques électriques et qui sont conformes à ses performances nominales.

Mise au rebut du condensat

Etant donné que les réglementations concernant les eaux usées varient de pays à pays, c'est à l'utilisateur qu'incombe la responsabilité d'établir les restrictions et les réglementations de sa région. Ingersoll Rand et ses distributeurs associés sont à votre disposition pour vous conseiller et vous aider dans ce domaine.

Pour obtenir de plus amples informations sur le produit de refroidissement ULTRA, consulter les fiches de données du produit CPN 88303979.

TN, TT, IT 3+PE. 380–460V, 50Hz/60Hz.



22677280
Rev.C
02/06

LEXIQUE

- XS1** Bornes principales
- QF1** Démarreur de ventilateur
- QF1.1** Contact auxiliaire
- FU3** Fusible secondaire de transformateur
- FU1, 2** Fusibles primaires de transformateur
- FR1** Relais à semi-conducteur
- FR2** Relais à semi-conducteur
- FR3** Relais à semi-conducteur
- EDV** Robinet de vidange électrique
- DR** Commande de vitesse variable
- MM** Moteur principal
- FM** Moteur de soufflerie
- MC** Moteur du sècheur
- ES** Arrêt d'urgence
- 1ATS** Contacteur température trop élevée de l'air
- 1RPS** Pressostat de réfrigération de sècheur
- PTO** Thermistance, temp. enroulement du moteur
- P1, P2** Capteur de pression
- EDVO** Option de robinet de vidange électronique
- DO** Option de sècheur
- CA** Alarme commune

- WHT** Blanc
- RED** Rouge
- DDP** Pression de refoulement de sècheur (option sècheur)
- ADP** Pression de refoulement de post-refroidisseur

FILS

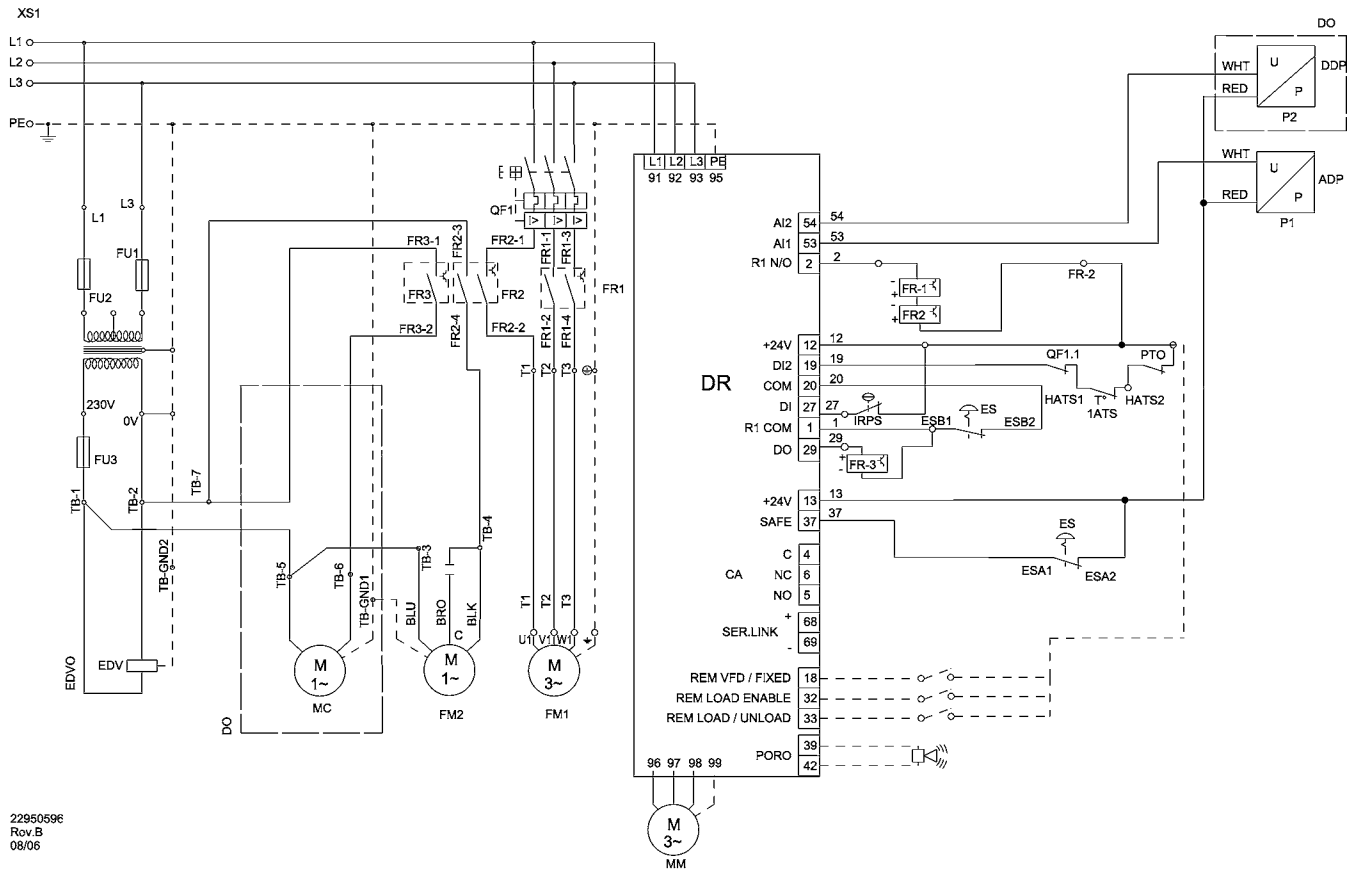
- PUISSANCE – noir
- COMMANDE CC – bleu
- NEUTRE – bleu clair
- PROTECTION TERRE – vert / jaune

NOTES

1. UN FUSIBLE D'ALIMENTATION DU TYPE ET DU CALIBRE CORRECTS DOIT ÊTRE INSTALLÉ SUR L'ISOLATEUR OU COUPE-CIRCUIT CLIENT, À PROXIMITÉ DU COMPRESSEUR.
- A ACTION RAPIDE CLASSE J, T OU TYPE SEMICONDUCTEUR, LIMITANT LE COURANT, VALEUR NOMINAL D'INTERRUPTION – 200.000 AMPS SECTION RMS
2. LE CLIENT EST RESPONSABLE DE LA CAPACITE DES COMPOSANTS ELECTRIQUES QUI NE SONT PAS FOURNIS PAR INGERSOLL RAND, ET LEUR CAPACITE DOIT ETRE DETERMINEE A PARTIR DES INFORMATIONS SUR LA PLAQUE SIGNALÉTIQUE DU COMPRESSEUR, SUR LE DOCUMENT N.E.C., ET DANS LES CODES ELECTRIQUES LOCAUX.
3. LES AUTOCOLLANTS DOIVENT ETRE CONFORMES A LA DERNIERE REVISION DE LA SPECIFICATION IR 92-8.95.

12 INFORMATIONS GÉNÉRALES

TN, TT, IT 3+PE. 200–230V, 60Hz. 380–460V, 50Hz/60Hz.



22950596
Rev.B
08/06

LEXIQUE

XS1	Bornes principales
QF1	Démarrateur de ventilateur
QF1.1	Contact auxiliaire
FU3	Fusible secondaire de transformateur
FU1, 2	Fusibles primaires de transformateur
FR1	Relais à semi-conducteur
FR2	Relais à semi-conducteur
FR3	Relais à semi-conducteur
EDV	Robinet de vidange électrique
DR	Commande de vitesse variable
MM	Moteur principal
FM1	Moteur de soufflerie
FM2	Ventilateur du moteur de la soufflante principale
MC	Moteur du sècheur
ES	Arrêt d'urgence
1ATS	Contacteur température trop élevée de l'air
1RPS	Pressostat de réfrigération de sècheur
PTO	Thermistance, temp. enroulement du moteur
P1, P2	Capteur de pression
C	Condensateur
DO	Option de sècheur
DDP	Pression de refoulement de sècheur (option sècheur)
ADP	Pression de refoulement de post-refroidisseur
EDVO	Option de robinet de vidange électronique

CA	Alarme commune
BLK	Noire
BLU	Bleue
BRO	Brune
WHT	Blanc
RED	Rouge

FILS

PUISSANCE – noir
 COMMANDE CC – bleu
 NEUTRE – bleu clair
 PROTECTION TERRE – vert / jaune

NOTES

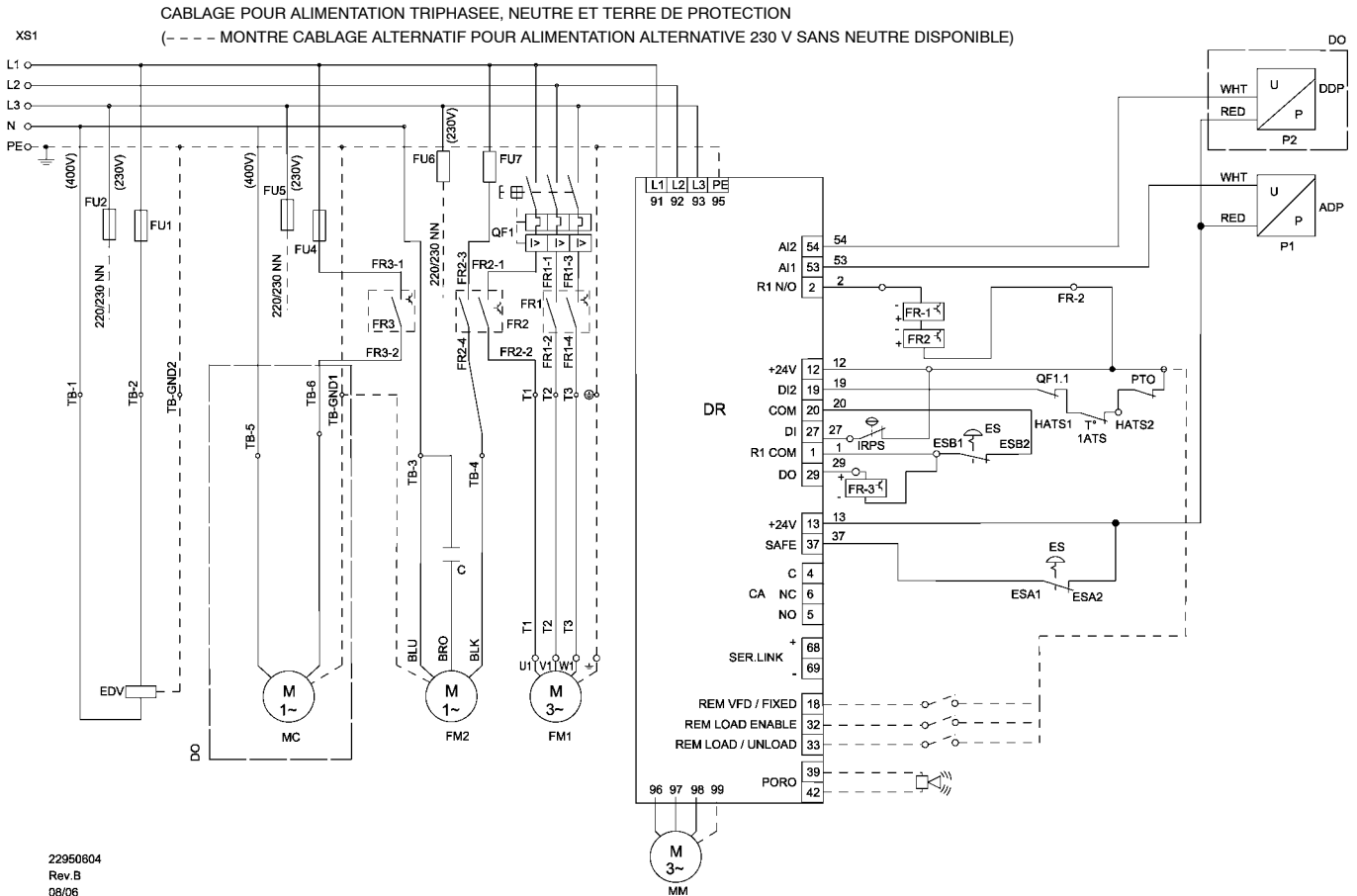
1. UN FUSIBLE D'ALIMENTATION DU TYPE ET DU CALIBRE CORRECTS DOIT ÊTRE INSTALLÉ SUR L'ISOLATEUR OU COUPE-CIRCUIT CLIENT, À PROXIMITÉ DU COMPRESSEUR.

A ACTION RAPIDE CLASSE J, T OU TYPE SEMICONDUCTEUR, LIMITANT LE COURANT, VALEUR NOMINAL D'INTERRUPTION – 200.000 AMPS SECTION RMS

2. LE CLIENT EST RESPONSABLE DE LA CAPACITE DES COMPOSANTS ELECTRIQUES QUI NE SONT PAS FOURNIS PAR INGERSOLL RAND, ET LEUR CAPACITE DOIT ETRE DETERMINEE A PARTIR DES INFORMATIONS SUR LA PLAQUE SIGNALÉTIQUE DU COMPRESSEUR, SUR LE DOCUMENT N.E.C., ET DANS LES CODES ELECTRIQUES LOCAUX.

3. LES AUTOCOLLANTS DOIVENT ETRE CONFORMES A LA DERNIERE REVISION DE LA SPECIFICATION IR 92-8.95.

TN, TT, IT 3+(N)+PE. 200–230V, 380–415V, 50Hz.



LEXIQUE

- XS1** Bornes principales
- QF1** Démarreur de ventilateur
- QF1.1** Contact auxiliaire
- FU3** Fusible secondaire de transformateur
- FU1, 2** Fusibles primaires de transformateur
- FR1** Relais à semi-conducteur
- FR2** Relais à semi-conducteur
- FR3** Relais à semi-conducteur
- EDV** Robinet de vidange électrique
- DR** Commande de vitesse variable
- MM** Moteur principal
- FM1** Moteur de soufflerie
- FM2** Ventilateur du moteur de la soufflante principale
- MC** Moteur du sècheur
- ES** Arrêt d'urgence
- 1ATS** Contacteur température trop élevée de l'air
- 1RPS** Pressostat de réfrigération de sècheur
- PTO** Thermistance, temp. enroulement du moteur
- P1, P2** Capteur de pression
- C** Condensateur
- DO** Option de sècheur
- DDP** Pression de refoulement de sècheur (option sècheur)
- ADP** Pression de refoulement de post-refroidisseur
- EDVO** Option de robinet de vidange électronique
- CA** Alarme commune

- NN** Sans neutre
- BLK** Noire
- BLU** Bleue
- BRO** Brune
- WHT** Blanc
- RED** Rouge

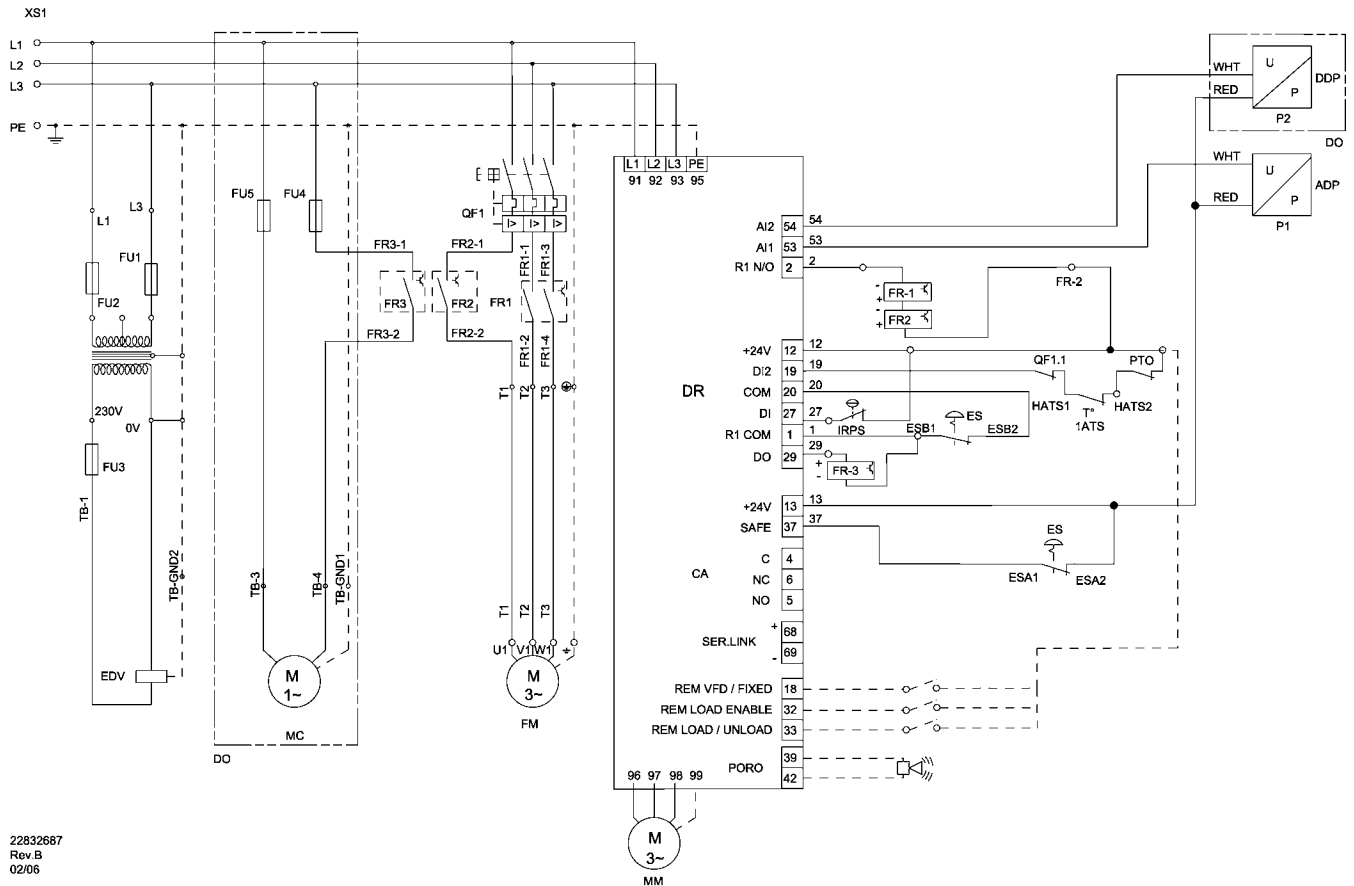
FILS

- PUISSANCE – noir
- COMMANDE CC – bleu
- NEUTRE – bleu clair
- PROTECTION TERRE – vert / jaune

NOTES

1. UN FUSIBLE D'ALIMENTATION DU TYPE ET DU CALIBRE CORRECTS DOIT ÊTRE INSTALLÉ SUR L'ISOLATEUR OU COUPE-CIRCUIT CLIENT, À PROXIMITÉ DU COMPRESSEUR.
- A ACTION RAPIDE CLASSE J, T OU TYPE SEMICONDUCTEUR, LIMITANT LE COURANT, VALEUR NOMINAL D'INTERRUPTION – 200.000 AMPS SECTION RMS
2. LE CLIENT EST RESPONSABLE DE LA CAPACITE DES COMPOSANTS ELECTRIQUES QUI NE SONT PAS FOURNIS PAR INGERSOLL RAND, ET LEUR CAPACITE DOIT ETRE DETERMINEE A PARTIR DES INFORMATIONS SUR LA PLAQUE SIGNALÉTIQUE DU COMPRESSEUR, SUR LE DOCUMENT N.E.C., ET DANS LES CODES ELECTRIQUES LOCAUX.
3. LES AUTOCOLLANTS DOIVENT ETRE CONFORMES A LA DERNIERE REVISION DE LA SPECIFICATION IR 92-8.95.

TN, TT, IT 3+PE. 200V, 60Hz.



22832687
Rev B
02/06

LEXIQUE

XS1	Bornes principales
QF1	Démarrateur de ventilateur
QF1.1	Contact auxiliaire
FU3	Fusible secondaire de transformateur
FU1, 2	Fusibles primaires de transformateur
FU4, 5	Fusibles de sécheur
FR1	Relais à semi-conducteur
FR2	Relais à semi-conducteur
FR3	Relais à semi-conducteur
EDV	Robinet de vidange électrique
DR	Commande de vitesse variable
MM	Moteur principal
FM	Moteur de soufflerie
MC	Moteur du sécheur
ES	Arrêt d'urgence
1ATS	Contacteur température trop élevée de l'air
1RPS	Pressostat de réfrigération de sécheur
PTO	Thermistance, temp. enroulement du moteur
P1, P2	Capteur de pression
DO	Option de sécheur
CA	Alarme commune

WHT	Blanc
RED	Rouge
DDP	Pression de refoulement de sécheur (option sécheur)
ADP	Pression de refoulement de post-refroidisseur

FILS

PUISSANCE	– noir
COMMANDE CC	– bleu
NEUTRE	– bleu clair
PROTECTION TERRE	– vert / jaune

NOTES

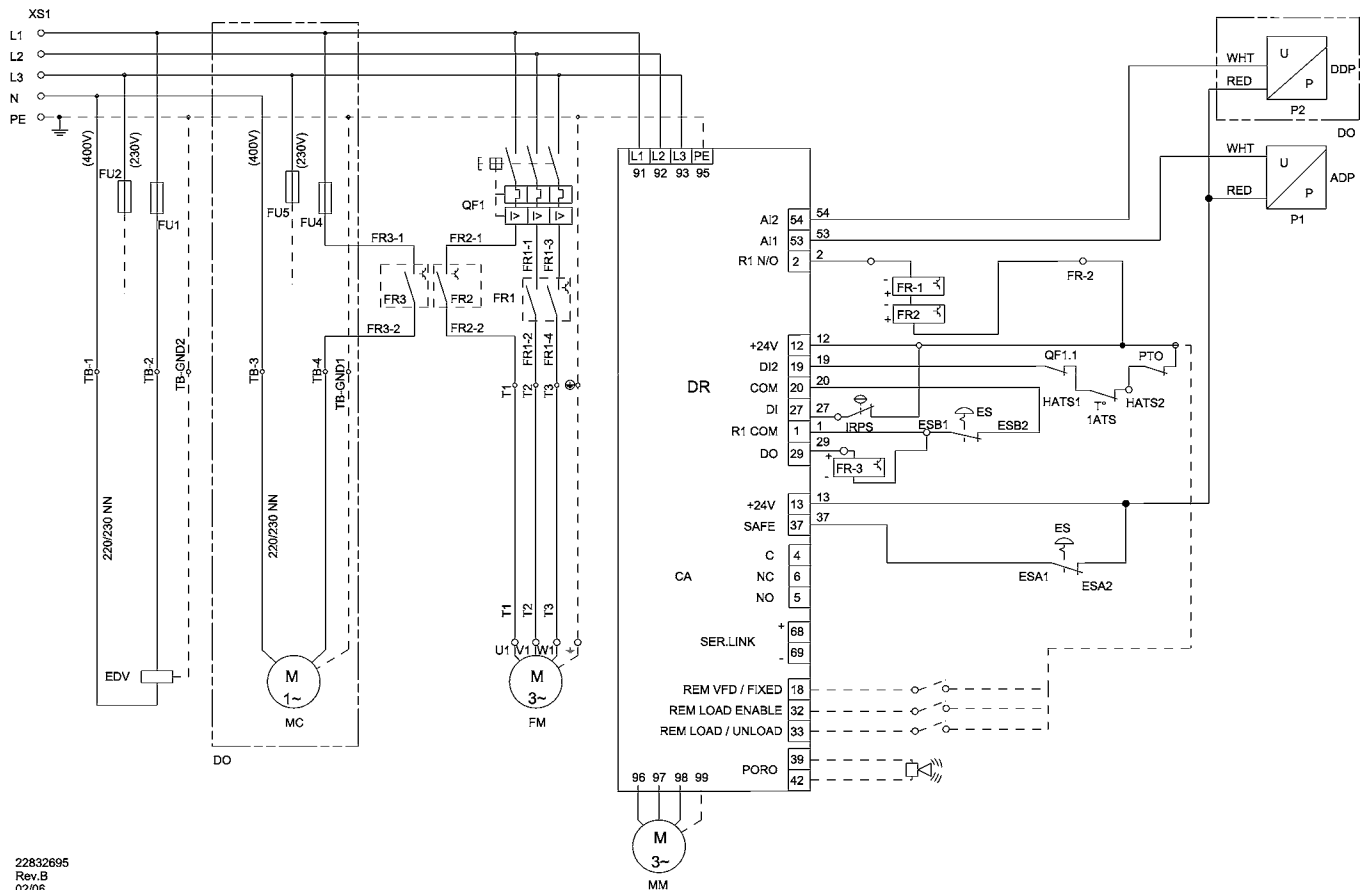
1. UN FUSIBLE D'ALIMENTATION DU TYPE ET DU CALIBRE CORRECTS DOIT ÊTRE INSTALLÉ SUR L'ISOLATEUR OU COUPE-CIRCUIT CLIENT, À PROXIMITÉ DU COMPRESSEUR.

A ACTION RAPIDE CLASSE J, T OU TYPE SEMICONDUCTEUR, LIMITANT LE COURANT, VALEUR NOMINAL D'INTERRUPTION – 200.000 AMPS SECTION RMS

2. LE CLIENT EST RESPONSABLE DE LA CAPACITE DES COMPOSANTS ELECTRIQUES QUI NE SONT PAS FOURNIS PAR INGERSOLL RAND, ET LEUR CAPACITE DOIT ETRE DETERMINEE A PARTIR DES INFORMATIONS SUR LA PLAQUE SIGNALÉTIQUE DU COMPRESSEUR, SUR LE DOCUMENT N.E.C., ET DANS LES CODES ELECTRIQUES LOCAUX.

3. LES AUTOCOLLANTS DOIVENT ETRE CONFORMES A LA DERNIERE REVISION DE LA SPECIFICATION IR 92-8.95.

TN, TT, IT 3+PE. 220–230V, 60Hz. 380–460V, 50Hz.



22832695
Rev.B
02/06

LEXIQUE

Câblage alternatif pour alimentation triphasée, neutre et protection terre.

- XS1** Bornes principales
- QF1** Démarreur de ventilateur
- QF1.1** Contact auxiliaire
- FU4, 5** Fusibles de sécheur
- FU1, 2** Fusibles robinet de vidange EDV
- FR1** Relais à semi-conducteur
- FR2** Relais à semi-conducteur
- FR3** Relais à semi-conducteur
- EDV** Robinet de vidange électrique
- DR** Commande de vitesse variable
- MM** Moteur principal
- FM** Moteur de soufflerie
- MC** Moteur du sécheur
- ES** Arrêt d'urgence
- 1ATS** Contacteur température trop élevée de l'air
- 1RPS** Pressostat de réfrigération de sécheur
- PTO** Thermistance, temp. enroulement du moteur
- P1, P2** Capteur de pression
- DO** Option de sécheur
- CA** Alarme commune
- WHT** Blanc

- RED** Rouge
- DDP** Pression de refoulement de sécheur (option sécheur)
- ADP** Pression de refoulement de post-refroidisseur
- 220/230 NN** Câblage alternatif pour une alimentation 230v sans neutre disponible.

FILS

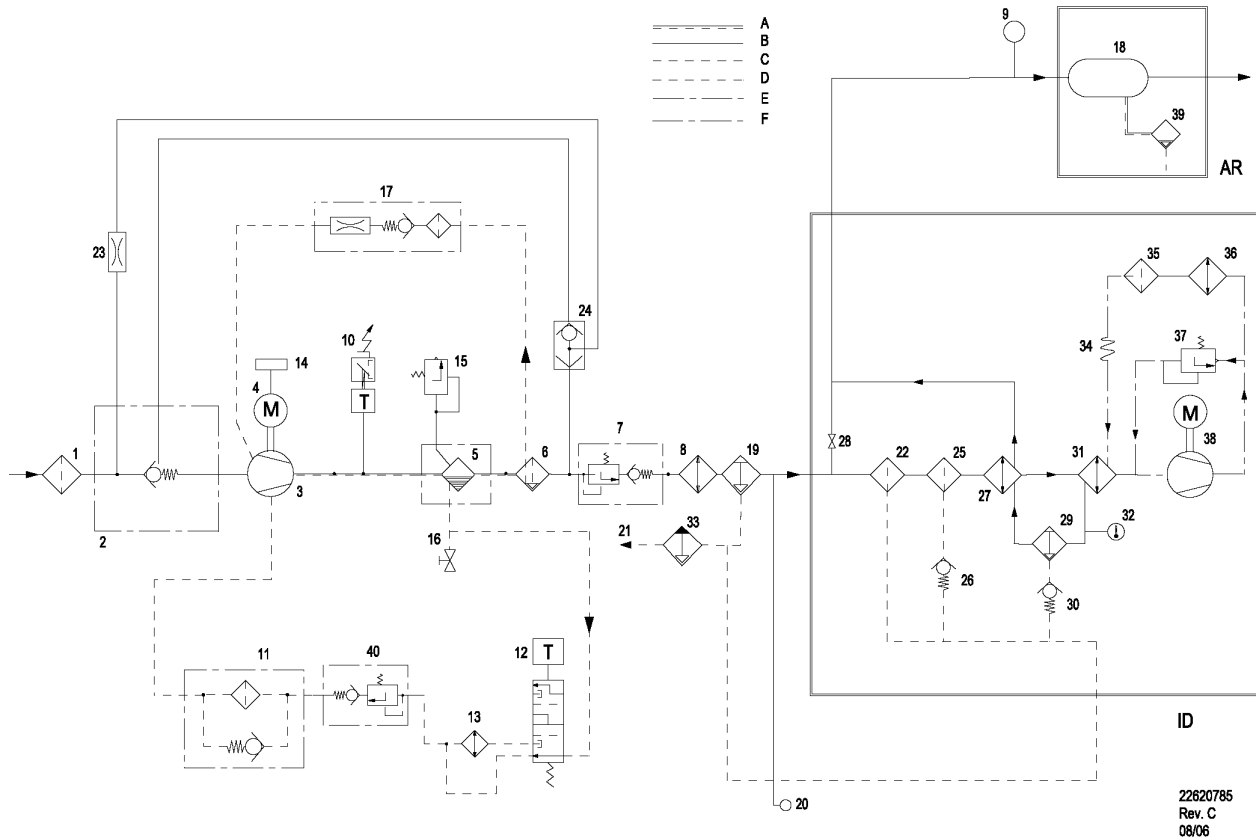
- PUISSANCE – noir
- COMMANDE CC – bleu
- NEUTRE – bleu clair
- PROTECTION TERRE – vert / jaune

NOTES

1. UN FUSIBLE D'ALIMENTATION DU TYPE ET DU CALIBRE CORRECTS DOIT ÊTRE INSTALLÉ SUR L'ISOLATEUR OU COUPE-CIRCUIT CLIENT, À PROXIMITÉ DU COMPRESSEUR.
- A ACTION RAPIDE CLASSE J, T OU TYPE SEMICONDUCTEUR, LIMITANT LE COURANT, VALEUR NOMINAL D'INTERRUPTION – 200.000 AMPS SECTION RMS
2. LE CLIENT EST RESPONSABLE DE LA CAPACITE DES COMPOSANTS ELECTRIQUES QUI NE SONT PAS FOURNIS PAR INGERSOLL RAND, ET LEUR CAPACITE DOIT ETRE DETERMINEE A PARTIR DES INFORMATIONS SUR LA PLAQUE SIGNALÉTIQUE DU COMPRESSEUR, SUR LE DOCUMENT N.E.C., ET DANS LES CODES ELECTRIQUES LOCAUX.
3. LES AUTOCOLLANTS DOIVENT ETRE CONFORMES A LA DERNIERE REVISION DE LA SPECIFICATION IR 92-8.95.

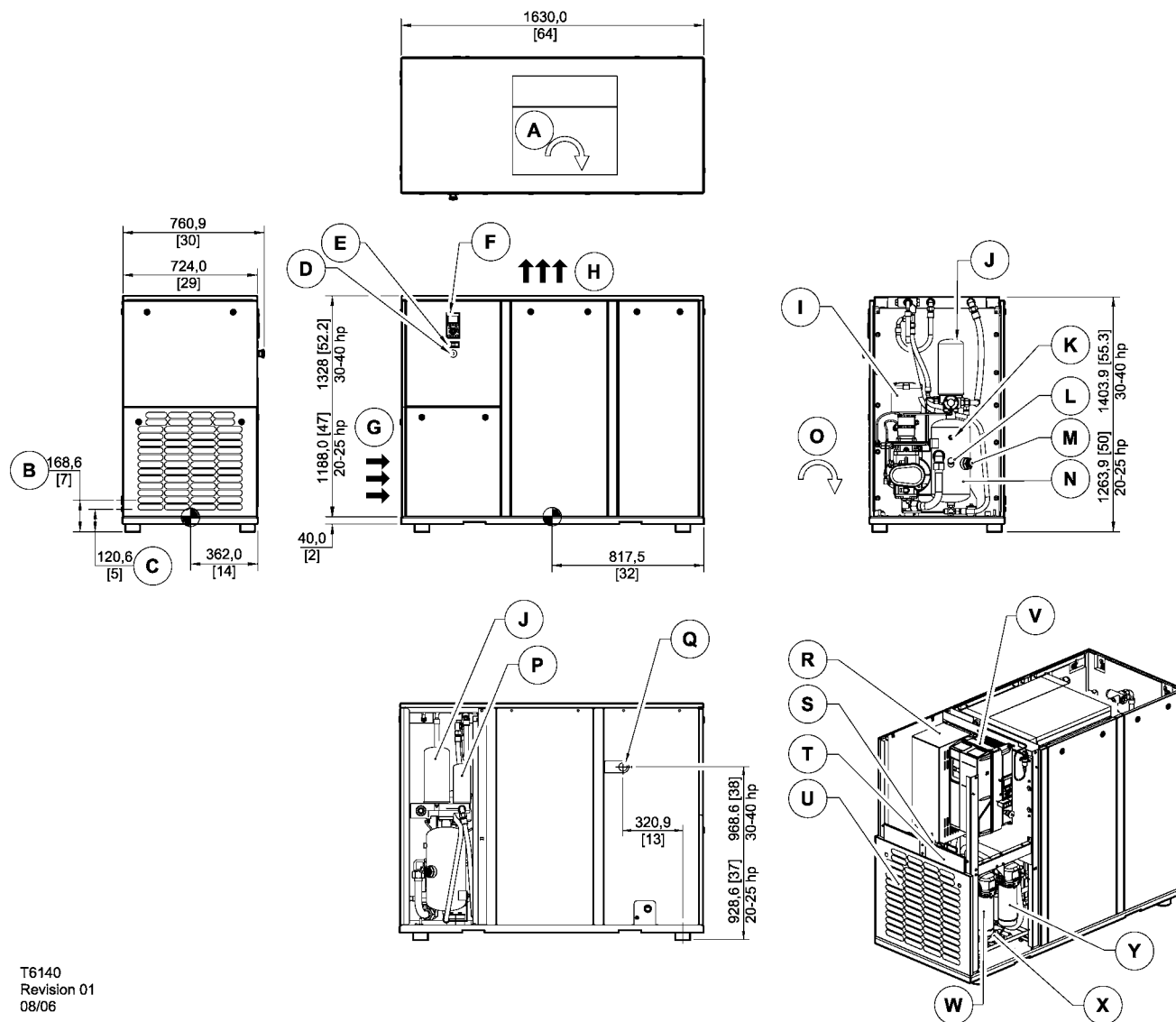
16 INFORMATIONS GÉNÉRALES

TUYAUTERIES ET INSTRUMENTATION



LEXIQUE

- | | |
|--|--|
| AR Récepteur d'air (option) | 24. Soupape de décharge |
| ID Sécheur intégré (option) | 25. Filtre, air – Haute efficacité |
| 1. Filtre à air | 26. Clapet de retenue |
| 2. Soupape d'alimentation | 27. Récupérateur |
| 3. Sortie d'air | 28. Soupape d'isolement |
| 4. Moteur | 29. Séparateur d'humidité |
| 5. Séparateur de réservoir (grosses particules) | 30. Clapet de retenue |
| 6. Séparateur, particules fines | 31. Evaporateur |
| 7. Vanne pression minimum | 32. Indicateur de point de rosée |
| 8. Réfrigérant final | 33. Vanne, condensat |
| 9. Transducteur de pression | 34. Valve, expansion thermique |
| 10. Sécurité température | 35. Filtre, sécheur frigorifique |
| 11. Filtre du refroidisseur | 36. Condenseur |
| 12. Thermostat | 37. Vanne, dérivation des gaz chauds |
| 13. Réfrigérant | 38. Compresseur de liquide de refroidissement |
| 14. Contrôleur d'entraînement | 39. Vanne, vidange automatique |
| 15. Soupape de sécurité | 40. Vanne pression minimum |
| 16. Vanne de purge | |
| 17. Crépine de recyclage | |
| 18. Récepteur d'air | |
| 19. Séparateur d'humidité (option) | |
| 20. Capteur de pression, pression – conduite | |
| 21. Evacuation de condensat | |
| 22. Filtre, air – Fonction générale | |
| 23. Orifice | |
| | A D'air/Huile |
| | B Air |
| | C Huile |
| | D Condensat |
| | E Limite composants |
| | F Liquide de refroidissement |



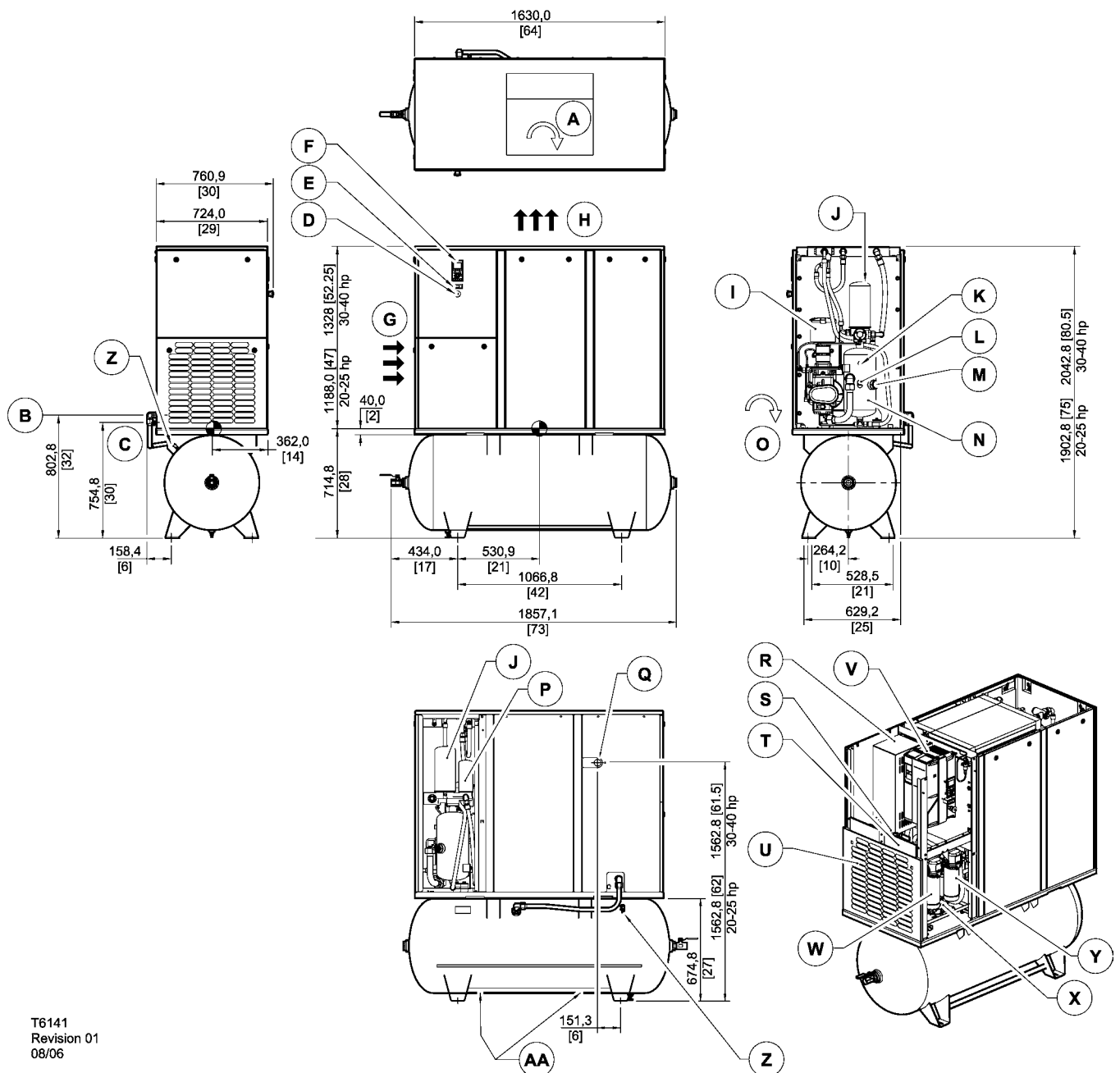
T6140
Revision 01
08/06

LEGENDE

20-40 HP BANC 120 GALLON

- | | |
|---|--|
| A Rotation de soufflerie | O Rotation du moteur d'entraînement |
| B Emplacement de refoulement d'air | P Filtre du liquide de refroidissement |
| C Emplacement de purge | Q Branchements d'arrivée d'alimentation |
| D Bouton arrêt d'urgence | R Panneau d'accès aux commandes électriques/fusibles |
| E Indicateur de point de rosée de sécheur | S Vanne de dérivation |
| F Emplacement de l'entraînement | T Sécheur intégré (en option) |
| G Entrée d'air | U Pré-filtre du groupe |
| H Evacuation d'air | V Entraînement |
| I Filtre d'entrée d'air | W Filtre universel de sécheur |
| J Élément de séparateur de liquide de refroidissement | X Robinet de vidange électrique |
| K Vanne de détente du réservoir | Y Filtre haute efficacité de sécheur |
| L Remplissage du liquide de refroidissement | |
| M Voyant du niveau de liquide de refroidissement | |
| N Réservoir séparateur | |





T6141
Revision 01
08/06

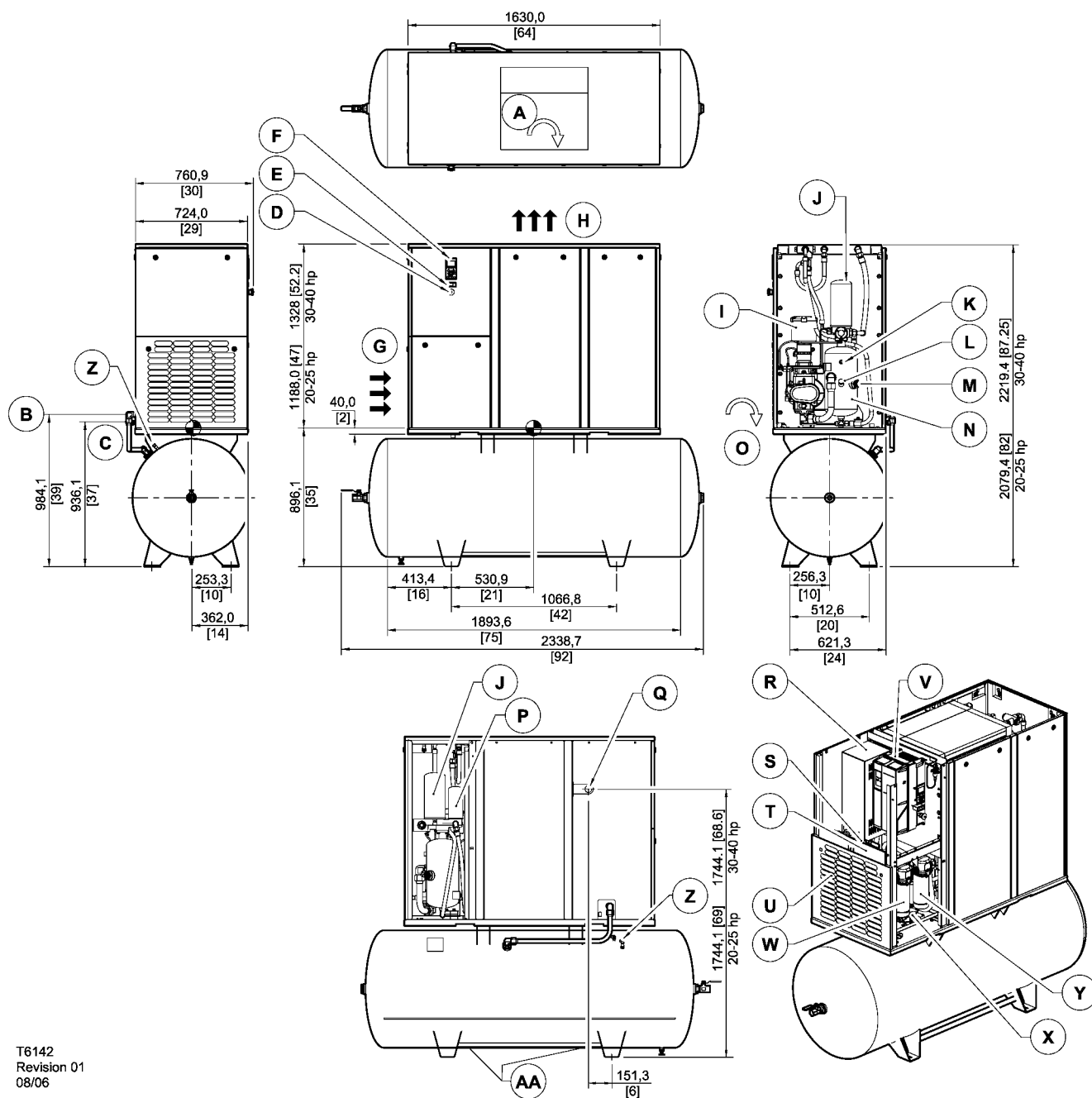
LEGENDE

20-40 HP 120 GALLON

- | | | | |
|---|---|----|--|
| A | Rotation de soufflerie | P | Filtre du liquide de refroidissement |
| B | Emplacement de refoulement d'air | Q | Branchements d'arrivée d'alimentation |
| C | Emplacement de purge | R | Panneau d'accès aux commandes électriques/fusibles |
| D | Bouton arrêt d'urgence | S | Vanne de dérivation |
| E | Indicateur de point de rosée de sécheur | T | Sécheur intégré (en option) |
| F | Emplacement de l'entraînement | U | Pré-filtre du groupe |
| G | Entrée d'air | V | Entraînement |
| H | Evacuation d'air | W | Filtre universel de sécheur |
| I | Filtre d'entrée d'air | X | Robinet de vidange électrique |
| J | Élément de séparateur de liquide de refroidissement | Y | Filtre haute efficacité de sécheur |
| K | Vanne de détente du réservoir | Z | Soupape de décharge de receveur |
| L | Remplissage du liquide de refroidissement | AA | Points de levage de l'ensemble |
| M | Voyant du niveau de liquide de refroidissement | | |
| N | Réservoir séparateur | | |
| O | Rotation du moteur d'entraînement | | |



Centre de gravité

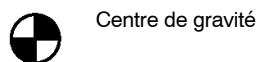


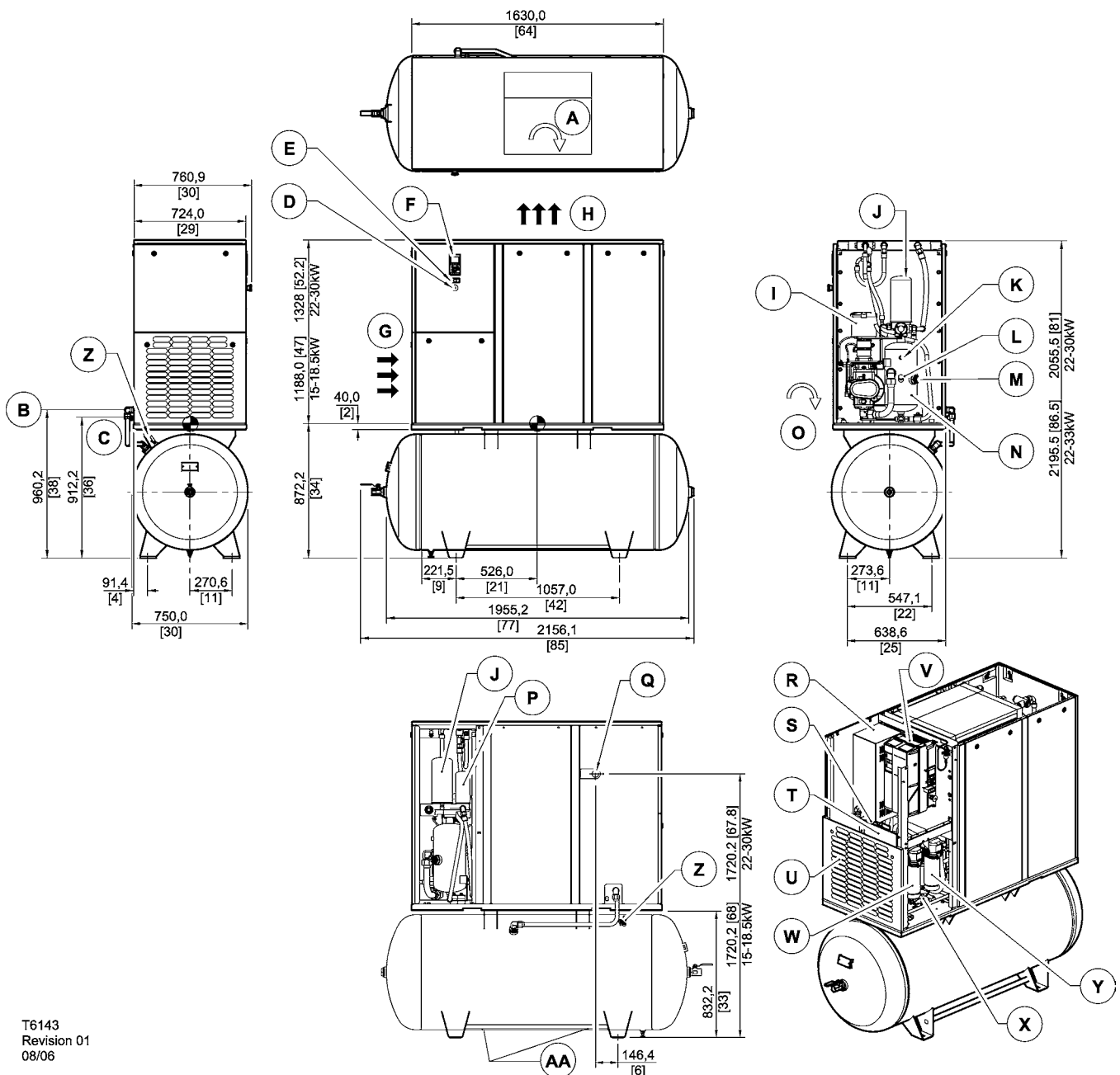
T6142
Revision 01
08/06

LEGENDE

20-40 HP 240 GALLON

- | | |
|---|--|
| A Rotation de soufflerie | P Filtre du liquide de refroidissement |
| B Emplacement de refoulement d'air | Q Branchements d'arrivée d'alimentation |
| C Emplacement de purge | R Panneau d'accès aux commandes électriques/fusibles |
| D Bouton arrêt d'urgence | S Vanne de dérivation |
| E Indicateur de point de rosée de sécheur | T Sécheur intégré (en option) |
| F Emplacement de l'entraînement | U Pré-filtre du groupe |
| G Entrée d'air | V Entraînement |
| H Evacuation d'air | W Filtre universel de sécheur |
| I Filtre d'entrée d'air | X Robinet de vidange électrique |
| J Élément de séparateur de liquide de refroidissement | Y Filtre haute efficacité de sécheur |
| K Vanne de détente du réservoir | Z Soupape de décharge de receveur |
| L Remplissage du liquide de refroidissement | AA Points de levage de l'ensemble |
| M Voyant du niveau de liquide de refroidissement | |
| N Réservoir séparateur | |
| O Rotation du moteur d'entraînement | |





T6143
Revision 01
08/06

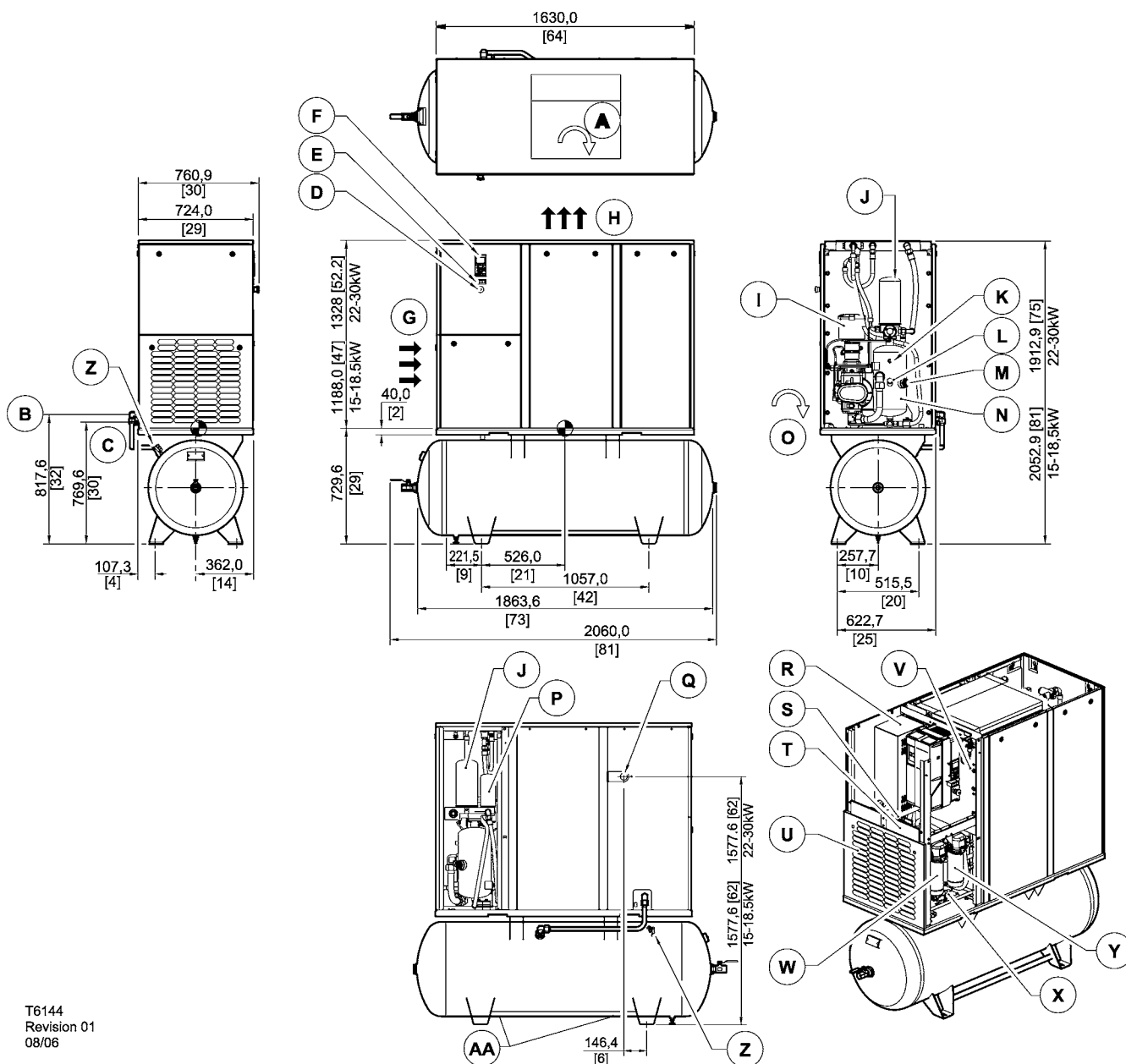
LEGENDE

15-30 KW 500 LITRES

- | | | | |
|---|---|----|--|
| A | Rotation de soufflerie | P | Filtre du liquide de refroidissement |
| B | Emplacement de refoulement d'air | Q | Branchements d'arrivée d'alimentation |
| C | Emplacement de purge | R | Panneau d'accès aux commandes électriques/fusibles |
| D | Bouton arrêt d'urgence | S | Vanne de dérivation |
| E | Indicateur de point de rosée de sécheur | T | Sécheur intégré (en option) |
| F | Emplacement de l'entraînement | U | Pré-filtre du groupe |
| G | Entrée d'air | V | Entraînement |
| H | Evacuation d'air | W | Filtre universel de sécheur |
| I | Filtre d'entrée d'air | X | Robinet de vidange électrique |
| J | Élément de séparateur de liquide de refroidissement | Y | Filtre haute efficacité de sécheur |
| K | Vanne de détente du réservoir | Z | Soupape de décharge de receveur |
| L | Remplissage du liquide de refroidissement | AA | Points de levage de l'ensemble |
| M | Voyant du niveau de liquide de refroidissement | | |
| N | Réservoir séparateur | | |
| O | Rotation du moteur d'entraînement | | |



Centre de gravité



T6144
Revision 01
08/06

LEGENDE

15-30 KW 750 LITRES

- | | |
|---|--|
| A Rotation de soufflerie | P Filtre du liquide de refroidissement |
| B Emplacement de refoulement d'air | Q Branchements d'arrivée d'alimentation |
| C Emplacement de purge | R Panneau d'accès aux commandes électriques/fusibles |
| D Bouton arrêt d'urgence | S Vanne de dérivation |
| E Indicateur de point de rosée de sécheur | T Sécheur intégré (en option) |
| F Emplacement de l'entraînement | U Pré-filtre du groupe |
| G Entrée d'air | V Entraînement |
| H Evacuation d'air | W Filtre universel de sécheur |
| I Filtre d'entrée d'air | X Robinet de vidange électrique |
| J Élément de séparateur de liquide de refroidissement | Y Filtre haute efficacité de sécheur |
| K Vanne de détente du réservoir | Z Soupape de décharge de receveur |
| L Remplissage du liquide de refroidissement | AA Points de levage de l'ensemble |
| M Voyant du niveau de liquide de refroidissement | |
| N Réservoir séparateur | |
| O Rotation du moteur d'entraînement | |



Centre de gravité

NOTES

- 1 La plaque de base ou le sol doivent être horizontaux et doivent soutenir tous les pieds de manière égale. Si nécessaire, caler ou cimenter le quatrième pied.
- 2 Les boulons de scellement doivent sortir des écrous d'au moins 13 mm [0,50"] pour permettre la mise à niveau.
- 3 Laisser un dégagement minimum de 100 mm [4"] à l'avant et de 920 mm [36"] sur le dessus, à gauche, à droite et à l'arrière de l'ensemble pour favoriser une bonne circulation d'air et faciliter les interventions.
- 4 Poids approximatif du groupe : 475 KG (1045 LBS)

NOTE

Sauf autrement indiqué, toutes les dimensions sont données en millimètres (pouces).

Vérifiez que les encoches pour les chariots-élévateurs ou les points de levage repérés corrects sont bien utilisés chaque fois que la machine est levée ou déplacée.

DESEMBALLAGE

Le compresseur est livré normalement avec une protection en polyéthylène. Dans le cas où il faut se servir d'un couteau pour l'enlever, prenez les précautions nécessaires pour ne pas endommager la peinture extérieure du compresseur.

Retirer les vis de transport du panneau final.

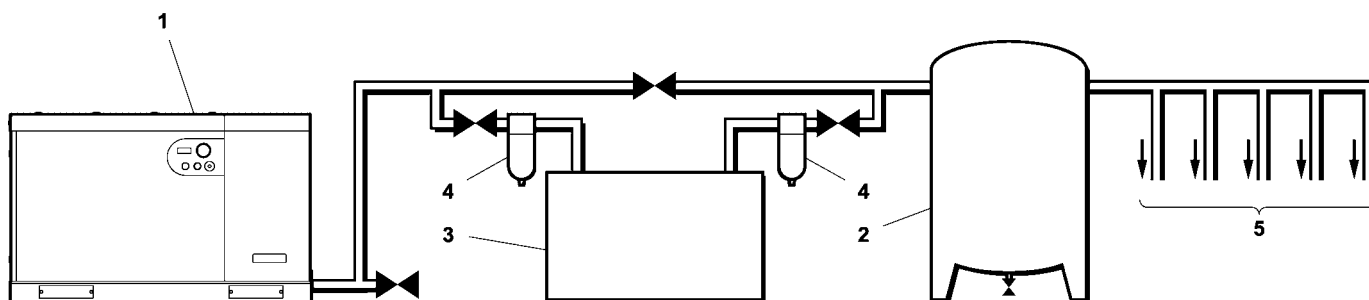
Il faut assurer la mise dans un dépôt sûr d'élimination de tous les matériaux qui ont servi au transport et à l'emballage conformément aux normes locales en application.

INSTALLATION DU SÉCHEUR

Ne pas connecter la canalisation d'évacuation du condensat en commun avec les autres lignes de canalisation d'évacuation sous pression dans un circuit fermé. S'assurer que l'échappement des canalisations d'évacuation du condensat sont libres d'entraves. Connecter la tuyauterie du condensat d'une telle façon à s'assurer que les niveaux de bruit sont gardés à un minimum pendant l'évacuation. S'assurer que tout le condensat est disposé d'une manière responsable selon les normes locales concernant la protection de l'environnement.

L'air ambiant autour du séchoir et du compresseur ne doivent pas contenir des contaminants solides ou gazeux. Tous les gaz comprimés et condensés peuvent générer des produits chimiques ou acides qui pourraient endommager le compresseur ou les éléments à l'intérieur du séchoir.

Prendre soin avec le soufre, le gaz ammoniac, le chlore et les installations dans des environnements marins. Pour plus de renseignements ou de l'assistance, consulter votre représentant local d'Ingersoll Rand.



T6035
Revision 00
10/04

LEGENDE

- 1. Compresseur
- 2. Réservoir à air
- 3. Dessiccateur
- 4. Filtres – compresseur à air
- 5. Points de service à la demande du système

NOTE

Les items [2] et [5] sont optionnels ou existent peut être déjà sur site. Renseignez-vous auprès de votre distributeur Ingersoll Rand pour toute recommandation.

LOCALISATION DANS L'USINE

Le compresseur peut être installé sur un sol horizontal quelconque pouvant le supporter. On recommande un local sec et bien ventilé où l'atmosphère est propre. On doit laisser un espace libre d'au moins 1 m (3 pieds) autour de la machine pour permettre l'accès en vue de l'entretien et pour assurer une ventilation correcte.

Il faut tenir compte d'un espacement suffisant autour et au-dessus de la machine, afin d'y avoir accès en sécurité pour effectuer les tâches de maintenance spécifiées.

Assurez-vous que la machine ne présente pas de danger là où elle est placée, et qu'elle sur une surface solide. Tout risque de mouvement doit être éliminé par des moyens adéquats, en particulier pour éviter des contraintes sur des tuyaux rigides.

PRECAUTION

Les compresseurs à vis [1] ne doivent pas être installés en parallèle avec des compresseurs à pistons sans les isoler avec des réservoirs. Il est recommandé que chaque type de compresseur soit relié à un réservoir commun à l'aide de tuyauteries individuelles.

ATTENTION!

L'utilisation de bols en plastique et autres composants en plastique est dangereuse. Ces bols peuvent être affectés par les lubrifiants synthétiques ou les produits additifs utilisés dans les huiles minérales. Ingersoll Rand recommande que seuls des filtres à bols métalliques soient installés dans un système pressurisé.

ATTENTION

L'ensemble de circuit d'air total ou de compresseur de base, n'est pas adapté à une utilisation à des températures susceptibles de provoquer un gel dans la mesure où de l'eau de condensat risque de se former dans le refroidisseur intermédiaire et le réservoir selon le cas.

Pour obtenir des informations complémentaires, contactez votre distributeur Ingersoll Rand.

TUYAUTERIE DE REFOULEMENT

La tuyauterie de refoulement doit être au moins aussi large que la connexion de sortie du compresseur, toutes les tuyauteries et connexions doivent être choisies en fonction de la pression de base.

Il est important quand on installe un nouveau compresseur [1] de revoir l'ensemble de l'installation de manière à garantir un système efficace et cohérent. Un des points importants à considérer est la présence d'eau dans la tuyauterie. L'installation de sécheur d'air [3] s'ils sont correctement dimensionnés, permettent de réduire à zéro l'entraînement des liquides dans les tuyauteries.

Il est utile d'ajouter une vanne d'isolation près du compresseur et d'installer une ligne de filtration [4].

Si vous êtes en possession d'un modèle TAS, votre ensemble compresseur est déjà équipé des articles [1], [3] et [4].

Pour les sécheurs à air couverts par Aircare, il est recommandé d'avoir des éléments de pré filtrage et des filtres installés type Ingersoll Rand correctement dimensionnés.

60/50Hz	IRN 20HP/ 15 kW		IRN 25HP / 18.5 kW	
	TAS	Non Tas	TAS	Non Tas
COMPRESSEUR				
Pression Nominale PSIG (bar)	150 (10.34)		150 (10.34)	
Débit @ 150 PSIG (10,3 bars) ACFM (m ³ /MIN) ^{1, 4}	75 (2.12)	77 (2.18)	92 (2.61)	94 (2.66)
Débit @ 125 PSIG (8,6 bars) ACFM (m ³ /MIN) ^{2, 4}	80 (2.27)	83 (2.35)	99 (2.80)	102 (2.89)
Débit @ 115 PSIG (8 bar) ACFM (m ³ /MIN) ^{3, 4}	84 (2.38)	87 (2.46)	105 (2.97)	108 (3.06)
Température de refoulement d'air	228°F (109°C) Point de disjonction			
Température de fonctionnement (min) to (max.)	35°F (+2°C) → 104°F (+40°C)			
MOTEUR				
Puissance nominale	20HP / 15kW		25HP / 18.5kW	
Bobinage F	F			
REFROIDISSEMENT – Refroidissement à l'air				
Débit d'air de refroidissement	1900ft ³ /min (53.8m ³ /min)			
Pression libre pour gaines d'air	0.25 inWg (6.4mmH ₂ O)			
Différence de temp. ΔT d'échappement de l'air comprimé	N/A	15°F (8.3°C)	N/A	20°F (11°C)
DONNEES GENERALES				
Volume de séparation	1.8 gallons (7 Litres)			
Capacité du produit de refroidissement	3.4 gallons (13 Litres)			
Poids – Unité montée sur socle	1350 lbs (612 kg)			
Poids – Avec réservoir de 120 gallons	1720 lbs (780 kg)			
Poids – Avec réservoir de 240 gallons	1891 lbs (858 kg)			
Poids – Avec réservoir de 500 Litres	1772 lbs (804 kg)			
Poids – Avec réservoir de 750 Litres	1891 lbs (858 kg)			
DONNÉES TECHNIQUES RELATIVES AU SÉCHEUR		50 / 60Hz		
Classe de protection électrique (std)	NEMA 1 (IP 20)			
Charge de fluide frigorigène usine (oz/g)	23.5 oz 667 g			
Type de refroidissement	134 A			

- 1 En supposant une chute de pression de 5 psi (0,34 bars) dans le module TAS
- 2 En supposant une chute de pression de 8 psi (0,55 bars) dans le module TAS
- 3 En supposant une chute de pression de 9 psi (0,62 bars) dans le module TAS
- 4 Le débit diminuera en tant que PD au fur et à mesure des augmentations du module TAS

SPECIFICATIONS ELECTRIQUES – TOUS GROUPES UNIGY 20HP / 15kW					
Tension standard	Basse tension		Haute tension		
	208V	230V	380V	400V	460V
Moteur d'entraînement					
Enceinte du Moteur	IP65				
Puissance	20HP / 15kW				
Courant à pleine charge (maximum)	58.3	52.7	31.9	30.3	26.3
Cycles	20				
SPECIFICATIONS ELECTRIQUES					
Tension de contrôle	24VDC				
Capacité maximum fusible Voir note 1, 3	100A	90A	50A	50A	45A
Dimension minimale de fil AWG (mm ²) Consultez note 2, 3	4 (25)	4 (25)	8 (10)	8 (10)	8 (10)

SPECIFICATIONS ELECTRIQUES – TOUS GROUPES UNIGY 25HP / 18.5kW					
Tension standard	Basse tension		Haute tension		
	208V	230V	380V	400V	460V
Moteur d'entraînement					
Enceinte du Moteur	IP65				
Puissance	25HP / 18.5kW				
Courant à pleine charge (maximum)	73.2A	63.7A	40.2A	38.2A	33.2A
Cycles	20				
SPECIFICATIONS ELECTRIQUES					
Tension de contrôle	24VDC				
Capacité maximum fusible Voir note 1, 3	125A	100A	70A	60A	50A
Dimension minimale de fil AWG (mm ²) Consultez note 2, 3	3 (35)	4 (25)	6 (16)	6 (16)	8 (10)

1. Un fusible d'alimentation du type et du calibre corrects doit être installé sur l'isolateur ou coupe-circuit client, à proximité du compresseur.

Action rapide Classe -J, T ou semi-conducteur, limiteur de courant, à désarmement - 200.000 Ampères RMS SYM.

Un autre type de fusible peut être utilisé si les caractéristiques intensité/temps sont supérieures aux fusibles recommandées dans cette section.

2. Type PVC/PVC calculé en utilisant les conditions suivantes:

- i) Câble blindé à isolant PVC, avec conducteurs en cuivreii)
- Câble enclipsé sur la paroi, à l'air libreiii)
- Température ambiante de 40°C (104°F) et humidité relative de 40%iv)
- Longueur de câble 20 m (60 ft)v)
- Baisse de tension limitée à -1% pendant le démarrage et à -4% en fonctionnement normalvi)
- Protégé par le fusible indiqué ci-dessus

3. Toujours appliquer les codes électriques locaux de calibrage des fils et des fusibles.

L'installation doit être planifiée par un technicien compétent et qualifié, en cas de déviations par rapport aux éléments cités ci-dessus, ou encore lorsqu'il existe des réglementations spéciales.

NOTE
Les caractéristiques techniques ne s'appliquent qu'au modèle standard!

60/50Hz	IRN 30HP/ 22 kW		IRN 40HP / 30 kW	
	TAS	Non Tas	TAS	Non Tas
COMPRESSEUR				
Pression Nominale PSIG (bar)	150 (10.34)		150 (10.34)	
Débit @ 150 PSIG (10,3 bars) ACFM (m ³ /MIN) ^{1, 4}	109 (3.09)	112 (3.17)	142 (4.02)	146 (4.14)
Débit @ 125 PSIG (8,6 bars) ACFM (m ³ /MIN) ^{2, 4}	120 (3.40)	125 (3.54)	152 (4.31)	158 (4.48)
Débit @ 115 PSIG (8 bar) ACFM (m ³ /MIN) ^{3, 4}	125 (3.54)	130 (3.68)	158 (4.48)	164 (4.65)
Température de refoulement d'air	228°F (109°C) Point de disjonction			
Température de fonctionnement (min) to (max.)	35°F (+2°C) → 104°F (+40°C)			
MOTEUR				
Puissance nominale	30HP / 22kW		40HP / 30kW	
Bobinage F	F			
REFROIDISSEMENT – Refroidissement à l'air				
Débit d'air de refroidissement	2700ft ³ /min (76.5m ³ /min)			
Pression libre pour gaines d'air	0.25 inWg (6.4mmH ₂ O)			
Différence de temp. ΔT d'échappement de l'air comprimé	N/A	15°F (8.3°C)	N/A	20°F (11°C)
DONNEES GENERALES				
Volume de séparation	2.8 gallons (10.7 Litres)			
Capacité du produit de refroidissement	5.5 gallons (21 Litres)			
Poids – Unité montée sur socle	1350 lbs (612 kg)			
Poids – Avec réservoir de 120 gallons	1720 lbs (780 kg)			
Poids – Avec réservoir de 240 gallons	1891 lbs (858 kg)			
Poids – Avec réservoir de 500 Litres	1772 lbs (804 kg)			
Poids – Avec réservoir de 750 Litres	1891 lbs (858 kg)			
DONNÉES TECHNIQUES RELATIVES AU SÉCHEUR		50 / 60Hz		
Classe de protection électrique (std)	NEMA 1 (IP 20)			
Charge de fluide frigorigène usine (oz/g)	45 oz 1.27 kg			
Type de refroidissement	134 A			

- 1 En supposant une chute de pression de 6 psi (0,4 bars) dans le module TAS
- 2 En supposant une chute de pression de 9 psi (0,62 bars) dans le module TAS
- 3 En supposant une chute de pression de 10 psi (0,69 bars) dans le module TAS
- 4 Le débit diminuera en tant que PD au fur et à mesure des augmentations du module TAS

SPECIFICATIONS ELECTRIQUES – TOUS GROUPE UNIGY 30HP / 22kW					
Tension standard	Basse tension		Haute tension		
	208V	230V	380V	400V	460V
Moteur d'entraînement					
Enceinte du Moteur	IP65				
Puissance	20HP / 15kW				
Courant à pleine charge (maximum)	91	82	50	47	41
Cycles	20				
SPECIFICATIONS ELECTRIQUES					
Tension de contrôle	24VDC				
Capacité maximum fusible Voir note 1, 3	150A	125A	75A	75A	70A
Dimension minimale de fil AWG (mm ²) Consultez note 2, 3	2 (32)	2 (32)	6 (16)	6 (16)	6 (16)

SPECIFICATIONS ELECTRIQUES – TOUS GROUPE UNIGY 40HP / 30kW					
Tension standard	Basse tension		Haute tension		
	208V	230V	380V	400V	460V
Moteur d'entraînement					
Enceinte du Moteur	IP65				
Puissance	25HP / 18.5kW				
Courant à pleine charge (maximum)	122A	110A	66.5A	63A	55A
Cycles	20				
SPECIFICATIONS ELECTRIQUES					
Tension de contrôle	24VDC				
Capacité maximum fusible Voir note 1, 3	200A	200A	125A	100A	80A
Dimension minimale de fil AWG (mm ²) Consultez note 2, 3	2/0 (70)	2/0 (70)	4 (25)	4 (25)	4 (25)

1. Un fusible d'alimentation du type et du calibre corrects doit être installé sur l'isolateur ou coupe-circuit client, à proximité du compresseur.

Action rapide Classe -J, T ou semi-conducteur, limiteur de courant, à désarmement - 200.000 Ampères RMS SYM.

Un autre type de fusible peut être utilisé si les caractéristiques intensité/temps sont supérieures aux fusibles recommandées dans cette section.

2. Type PVC/PVC calculé en utilisant les conditions suivantes:

- i) Câble blindé à isolant PVC, avec conducteurs en cuivreii)
- Câble enclipsé sur la paroi, à l'air libreiii)
- Température ambiante de 40°C (104°F) et humidité relative de 40%iv)
- Longueur de câble 20 m (60 ft)v)
- Baisse de tension limitée à -1% pendant le démarrage et à -4% en fonctionnement normalvi)
- Protégé par le fusible indiqué ci-dessus

3. Toujours appliquer les codes électriques locaux de calibrage des fils et des fusibles.

L'installation doit être planifiée par un technicien compétent et qualifié, en cas de déviations par rapport aux éléments cités ci-dessus, ou encore lorsqu'il existe des réglementations spéciales.

NOTE
Les caractéristiques techniques ne s'appliquent qu'au modèle standard!

ELECTRICITE

Un isolateur ou un fusible indépendant doit être installé à proximité du compresseur.

Les câbles d'alimentation doivent être dimensionnés par le client ou son fournisseur en matériel électrique, afin que le circuit soit équilibré et ne soit pas surchargé par d'autres équipements électriques. La longueur du câblage à partir d'un point d'alimentation en électricité adéquat est très important, puisque des chutes de tension peuvent affecter les performances du compresseur.

Les câbles d'alimentation allant à l'isolateur ou à l'interrupteur doivent être installés correctement et en ordre.

Le voltage doit être compatible avec les indications mentionnées sur la plaque moteur et la plaque compresseur.

Ne pas utiliser un transformateur survolteur–devolteur.

ATTENTION

Sur les machines équipées de dispositif de commande électronique: Il est recommandé de débrancher entièrement celui-ci avant de vérifier la résistance d'isolement de toutes les parties des circuits électriques de la machine et du moteur.

ATTENTION

Pour vérifier le refroidissement, ne pas se contenter de contrôler simplement le sens de circulation d'air, mais s'assurer que le ventilateur tourne dans le sens indiqué par les flèches de direction

NOTE

Si le compresseur est installé pour applications 208V 60 Hz ou 380V 60Hz, le câblage au primaire du transformateur doit être changé pendant l'installation.

OPTION DE MODIFICATION À L'AIR LIBRE.

Directive de l'UE 2000/14/CE. Émissions sonores provoquées par des machines s'utilisant à l'air libre.

Les paquets compresseurs standards ne conviennent pas à une utilisation à l'air libre. Si l'option de modification à l'air libre est appliquée à une machine qui fonctionnera dans l'UE, la machine ne pourra pas être utilisée comme équipement de location, ni être changée d'endroit. Elle doit être installée comme machine fixe non destinée à être déplacée pendant sa durée de vie opérationnelle (par exemple, un compresseur fixé de manière permanente à l'extérieur d'un bâtiment) et elle est donc exclue de la Directive.

Cette exclusion est basée sur le fait que la machine fait partie de manière permanente d'une usine ou d'une installation et que ce sont les réglementations locales en matière de régulation sonore qui seront applicables à cette usine / installation au lieu de la directive.

GENERALITES

Ce compresseur est entraîné par un moteur électrique, c'est un compresseur à vis, mono-étagé, entièrement équipé et câblé intérieurement, les tuyauteries internes sont réalisées. Il est monté sur châssis. C'est un ensemble complet.

Le compresseur standard est conçu pour fonctionner dans un intervalle de température ambiante de 35,6°F – 104°F (2°C à 40°C). La température maximale s'applique à une altitude maximale de 3280 pieds (1000 m) au-dessus du niveau de la mer. Au-dessus de cette altitude, la température ambiante maximale devra être beaucoup plus faible.

La compression est créée par le fonctionnement combiné de 2 rotors hélicoïdes (mâle et femelle).

Le mélange air/coolant sort de la partie compression vers le système de séparation. Ce séparateur élimine à quelques PPM près toute l'huile de l'air de refoulement. Le liquide de refroidissement est renvoyé au système de refroidissement, puis l'air passe au travers du radiateur secondaire et sort ensuite du compresseur.

L'air de refroidissement est soufflé au travers des radiateurs par le ventilateur de refroidissement et est ensuite évacué de la machine.

AVERTISSEMENT

Cette unité est dotée d'un système de contrôle automatique du ventilateur de refroidissement. Le ventilateur de refroidissement de l'ensemble fonctionne indépendamment du module de compression. Le ventilateur peut fonctionner lorsque le compresseur est mis à l'arrêt en mode de redémarrage automatique ou lorsque le sélecteur marche/arrêt est sur position "arrêt", l'arrêt d'urgence étant neutralisé.

ATTENTION

L'air de refroidissement est aspiré à l'arrière du groupe, et traverse le filtre et le refroidisseur avant d'être évacué par la partie supérieure du groupe. On doit prendre des précautions pour que l'air circule librement, et pour que les pertes de charge ne dépassent pas la contre-pression maximale autorisée pour les conduites.

Ne pas diriger le débit d'air vers la figure ou les yeux.

La puissance du moteur d'entraînement est transmise directement au rotor mâle de l'extrémité compresseur.

Du fait du refroidissement de l'air de refoulement, une grande partie de la vapeur d'eau naturellement contenue dans l'air est condensée et peut être évacuée par les tuyauteries d'évacuation de condensats.

Le système de refroidissement comprend un réservoir, un réfrigérant, une vanne thermostatique et un filtre. Quand le compresseur fonctionne, le coolant est mis sous pression et injecté sur les roulements de celui-ci.

Le système de contrôle de charge du compresseur dispose **d'une fonction d'arrêt et de redémarrage automatique et d'une fonction de sélection de régulation à vitesse variable**. Le compresseur peut ainsi maintenir une pression de conduite de refoulement définie en modifiant la puissance nette selon les exigences du système. L'unité est équipée d'un système d'arrêt et de redémarrage automatique utilisé dans les usines où les besoins en air varient suffisamment de telle sorte à permettre l'arrêt du compresseur et les économies d'énergie. Pour permettre de telles actions, il est recommandé de disposer d'un volume système important.

ATTENTION-DANGER

Lorsque le groupe s'arrête de fonctionner à cause d'une faible demande d'air, il peut redémarrer et revenir sous charge à tout moment.

ATTENTION**APPLICATIONS RELATIVES À DES BESOINS FAIBLES**

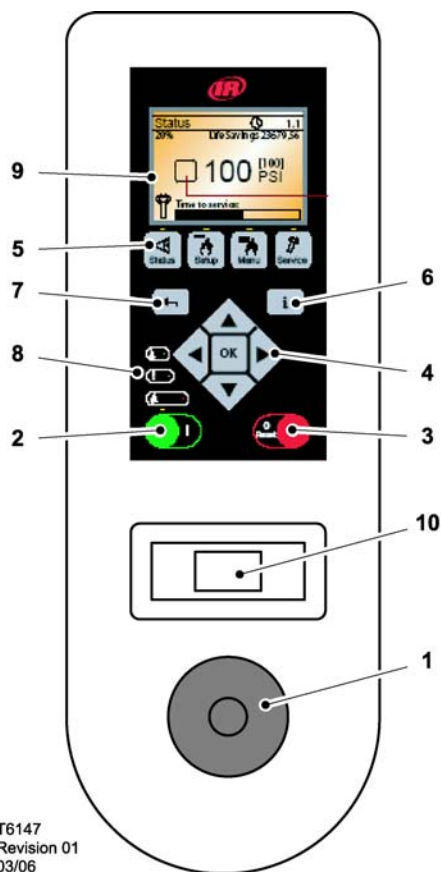
Au cours de périodes où les besoins sont faibles, le compresseur risque de ne pas atteindre sa température de fonctionnement normale. Un fonctionnement soutenu en période de besoins faibles risque d'entraîner la formation de condensat dans le liquide de refroidissement. Une telle situation risque d'altérer les propriétés lubrifiantes du liquide de refroidissement, ce qui peut conduire à une détérioration du compresseur.

LE COMPRESSEUR DOIT BÉNÉFICIER D'UNE DURÉE DE FONCTIONNEMENT EN CHARGE IMPORTANTE.

La sécurité d'exploitation est assurée par le fait que le compresseur s'arrête en cas de surchauffe ou de surcharge électrique.

ATTENTION

Cette unité n'est pas conçue ou prévue pour fonctionner si elle est contaminée par la silicone. Les lubrifiants, les graisses ou autres articles qui peuvent contenir de la silicone ne doivent pas être utilisés sur cette unité.



T6147
Revision 01
03/06

1. ARRÊT D'URGENCE

Appuyer sur ce commutateur pour arrêter immédiatement le compresseur. Le compresseur ne peut pas être redémarré tant que le commutateur n'est pas manuellement réarmé. Tourner dans le sens horaire pour réarmer.

Au réarmement, le contrôleur affichera un message indiquant que le compresseur est prêt à démarrer.

2. TOUCHE DE DEMARRAGE

Appuyer sur cette clé pour mettre le compresseur en marche.

3. TOUCHE D'ARRET/REARMEMENT

Appuyer sur cette clé pour arrêter le compresseur.

4. TOUCHES DE NAVIGATION

Ces touches servent à passer d'un article à l'autre sur une liste et à changer les valeurs.

5. TOUCHES D'AFFICHAGE

6. TOUCHE D'INFORMATION

Cette touche fournit des renseignements complémentaires pour l'affichage en cours, le mode d'opération, ou l'état d'alarme/avertissement.

7. TOUCHE DE NAVIGATION RETOUR

Appuyer sur cette clé pour revenir à l'écran d'affichage par défaut pendant la navigation entre écrans. Cette touche sert aussi à quitter les paramètres sans modifier les valeurs.

8. INDICATEURS D'ÉTAT A DIODES ELECTROLUMINESCENTES

SOUS TENSION : La machine est sous tension.

AVERTISSEMENT : Un problème existe ou un intervalle de maintenance approche de sa fin.

ALARME : Un état d'alarme existe. Pendant une alarme, la machine s'arrête automatiquement. Une fois l'état d'alarme corrigé, appuyer sur la touche d'arrêt/réarmement (no.3) pour faire redémarrer la machine.

9. ECRAN D'AFFICHAGE A CRISTAUX LIQUIDES

Le contraste est ajusté en appuyant sur le bouton d'état et en le maintenant dans cette position tout en appuyant sur les flèches de navigation haut/bas.

10. INDICATEUR DU POINT DE ROSÉE (SÉCHEUR UNIQUEMENT)

La couleur verte indique un point de rosée acceptable, la couleur rouge un point de rosée supérieur à 10 °C (50 °F), tandis que la couleur bleue signale un risque de gel.

AVANT LA MISE EN MARCHÉ

- Vérifier la machine, s'assurer de la bonne fixation des couvercles de protection et qu'il n'y a pas d'obstructions dans le circuit de ventilation ou dans les zones d'accès autour de la machine.
- Vérifier le niveau du liquide de refroidissement. Ajoutez du liquide le cas échéant.
- Assurez-vous que le robinet de purge principal est ouvert.
- Mettre en marche l'isolateur électrique. L'indicateur de mise sous tension (8) s'allume indiquant que les lignes et le contrôle sont sous tension.
- Vérifier le sens de rotation à chaque démarrage ou à la suite d'interruption de l'alimentation électrique.

AVERTISSEMENT

Assurez-vous que tous les capots de protection sont en place.

L'échappement d'air de refroidissement peut contenir des débris volants. Il faut par conséquent avoir une protection pour éviter toute blessure possible.

MISE EN MARCHÉ

Appuyez sur la touche de mise en marche. La machine démarre et se charge automatiquement.

NOTE

Pendant la marche normale, la soufflerie fonctionnera lorsque la machine fonctionne, et peut-être pendant un court moment après l'arrêt de la machine. Si la machine arrête en raison d'une alarme ou d'un arrêt local ou à distance, la soufflerie arrête en même temps que la machine.

AVERTISSEMENT

Si la machine s'arrête automatiquement, le aïrend, le réservoir séparateur et le circuit d'huile peuvent contenir de l'air à haute pression qui se dégagera dans l'atmosphère. Il est possible de le vérifier en dévissant le bouchon de remplissage de liquide de refroidissement qui est équipé d'un évent par lequel la pression résiduelle s'évacue. L'aval du réservoir séparateur peut aussi receler un restant de pression qu'il faut aussi évacuer.

ARRÊT NORMAL

Appuyer sur la touche d'arrêt/réarmement.

ARRÊT D'URGENCE

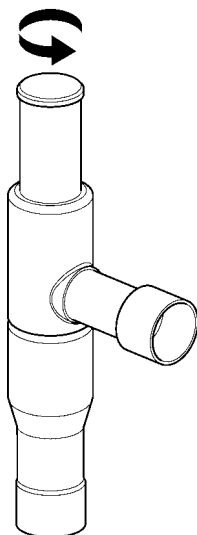
1. Appuyer sur le bouton d' **ARRÊT D'URGENCE** (1), ce qui entraîne l'arrêt immédiat du compresseur et du ventilateur. Ne pas utiliser ce bouton pour un arrêt dans le cadre d'un fonctionnement normal.

2. Mettez l'isolateur électrique hors circuit.

Avant de remettre en route, identifier et corriger toutes les anomalies et vérifier que la machine peut fonctionner de manière sûre.

AJUSTEMENT DU POINT DE ROSEE (SECHEUR UNIQUEMENT)

Il est possible d'ajuster le point de rosée avec la soupape de dérivation des gaz chauds (HGBV). Pour réduire le point de rosée, tournez l'ajustement de la soupape de dérivation des gaz chauds dans le sens inverse des aiguilles d'une montre. Dans des conditions ambiantes à 25°C (77°F) une pression de côté bas de 1,8 bars g (26,5psig) 15 ±% peut produire un point de rosée de 3°C (37°F). Une réduction de la pression de côté bas peut produire des conditions de service défavorables.



AFFICHAGE D'ÉTAT

L'affichage d'état 1.1 est l'affichage par défaut. Pour naviguer entre les autres écrans d'état, appuyer une fois sur la touche d'affichage d'état puis sur les flèches de navigation haut/bas.

Affichage d'état 1.1

L'affichage d'état 1.1 offre les renseignements suivants :

- Pression de refoulement 100 – Pression au point de refoulement du groupe compresseur.
- Pression ciblée [100] – Pression que le compresseur essaie de maintenir lorsqu'il fonctionne en mode d'entraînement à fréquence variable VFD.
- Pourcentage de charge – Vitesse réelle du moteur / vitesse max. du moteur * 100%
- Economies d'énergie sur la vie entière – Cumul des économies d'énergie, calculé en heures. Ne peut pas être réinitialisé.
- Indicateur de maintenance – Graphique à barres indiquant en permanence le pourcentage de 0 à 100% de l'intervalle restant jusqu'à la prochaine intervention de maintenance.

• Message d'avertissement.

• Etat opérationnel.

i. Marche, indiqué par une flèche tournante :



ii. Arrêté, indiqué par l'absence de flèche.

iii. Arrêté en redémarrage automatique, indiqué par l'affichage de toutes les flèches :



iv. Démarrage programmé / arrêt activé

Affichage d'état 1.2

L'affichage d'état 1.2 offre les renseignements suivants :

- Pression de refoulement 100 – Pression au point de refoulement du groupe compresseur.
- Pression ciblée [100] – Pression que le compresseur essaie de maintenir lorsqu'il fonctionne en mode d'entraînement à fréquence variable VFD.

• Vitesse moteur.

• Economies d'énergie – Cumul, calculé en heures, peut être réinitialisé en sélectionnant réinitialisation des économies d'énergie dans les points de consigne de l'opérateur. Ce total est calculé de la même façon que les économies d'énergie sur la vie entière, mais peut être réinitialisé.

• Indicateur de maintenance – Graphique à barres indiquant en permanence le pourcentage de 0 à 100% de l'intervalle restant jusqu'à la prochaine intervention de maintenance.

• Message d'avertissement.

• Etat opérationnel.

i. Marche, indiqué par une flèche tournante :



ii. Arrêté, indiqué par l'absence de flèche.

iii. Arrêté en redémarrage automatique, indiqué par l'affichage de toutes les flèches :



iv. Démarrage programmé / arrêt activé

Affichage d'état 1.3

L'affichage d'état 1.3 offre les renseignements suivants :

• Pression de refoulement 100 – Pression au point de refoulement du groupe compresseur.

• Ecran d'enregistrement de pression (tracé XY) de la pression de refoulement et de la pression ciblée par rapport au temps.

• Pourcentage de charge – Vitesse réelle du moteur / vitesse max. du moteur * 100%

Affichage d'état 1.4

L'affichage d'état 1.4 offre les renseignements suivants :

• Pourcentage de charge – Vitesse réelle du moteur / vitesse max. du moteur * 100%

• Ecran d'enregistrement de pourcentage de charge (tracé XY) du pourcentage de charge par rapport au temps.

• Pression de refoulement 100 – Pression au point de refoulement du groupe compresseur.

Affichage d'état 1.5

L'affichage d'état 1.5 offre les renseignements suivants :

• Compteur horaire – Indique le nombre d'heures de marche du compresseur au cours de sa vie entière.

• Date et heure réelles

• Temps jusqu'au démarrage programmé.

• Temps jusqu'à l'arrêt programmé.

• Version de logiciel.

• Information de contact de maintenance.

• Pourcentage de charge – Vitesse réelle du moteur / vitesse max. du moteur * 100%

• Pression de refoulement 100 – Pression au point de refoulement du groupe compresseur.

ECRAN DE REGLAGE

Appuyer sur la touche de réglage SETUP pour voir et modifier les réglages.

Appuyer sur les flèches pour voir les réglages.

• Pression ciblée.

• Pression d'arrêt automatique.

• Mode d'entraînement à fréquence variable VDF / vitesse fixe.

• Marche/arrêt programmé.

- Heure de démarrage programmée.
- Heure d'arrêt programmée.
- Réinitialisation des économies d'énergie.

Changer une valeur en mettant la rubrique et sa valeur en évidence et en appuyant sur la touche SELECT pour choisir uniquement la valeur. Lorsque seule la ligne de valeur est mise en valeur, il est possible de l'ajuster avec les flèches haut/bas. Les touches d'annulation CANCEL et de réglage SET apparaissent alors. Appuyez sur la touche SET pour saisir la nouvelle valeur ou sur la touche CANCEL pour revenir à la valeur du point de consigne avant d'employer les flèches. La valeur affichée clignote deux fois pour indiquer qu'elle a été saisie dans le point de consigne et la paire de lignes rubrique de point de consigne et de valeur sera à à nouveau mise en valeur ensemble.

Si aucune touche n'est enfoncée dans les 30 secondes, l'écran de réglage SETUP disparaîtra sans avoir enregistré de changement et l'écran reviendra à l'affichage d'état par défaut.

PRESSION CIBLÉE

Le compresseur essaiera de fonctionner à ce réglage de pression. Les plages de pressions ciblées et les valeurs de paliers de chaque unité de mesure sont présentées dans le tableau ci-dessous.

Unité	Défaut	Mini	Maxi	Palier
PSI	115	65	150	1
BAR	8	4.5	10.3	0.1
KPa	793	45	1034	1

PRESSION D'ARRÊT AUTOMATIQUE

Le compresseur s'arrêtera une fois que la pression du circuit atteint cette pression et que le compresseur fonctionne à vitesse minimale. Cette pression d'arrêt automatique est une fonction de la pression ciblée et est indiquée sous forme de pression d'arrêt automatique plus une valeur de palier (par exemple, 8 psi au-dessus de la pression ciblée). Les plages de pressions d'arrêt automatique et les valeurs de paliers de chaque unité de mesure sont présentées dans le tableau ci-dessous.

Unité	Défaut	Mini	Maxi	Palier
PSI	+10	+5	+10	1
BAR	+0.7	+0.3	+0.7	0.1
KPa	+69	+34	+69	1

MODE D'ENTRAÎNEMENT A FREQUENCE VARIABLE VFD / VITESSE FIXE

L'unité peut être réglée pour marcher en mode d'entraînement à fréquence variable VFD ou en mode à vitesse fixe. Lorsque l'unité fonctionne en mode VFD, elle le fait à la vitesse maximale permise jusqu'à ce que la pression de refoulement atteigne la pression ciblée. Une fois la pression ciblée atteinte, l'unité ajustera la vitesse du compresseur de manière à maintenir la pression de refoulement au point de consigne de la pression ciblée. Le compresseur s'arrêtera si la pression de refoulement atteint le point de consigne de pression d'arrêt automatique. Si le compresseur s'arrête pour cette raison, il redémarrera automatiquement lorsque la pression du système descend au-dessous de la pression ciblée. Ce mode de fonctionnement est nommé "Arrêt en redémarrage automatique".

Si l'unité a été réglée pour fonctionner en mode vitesse fixe, elle le fait à la vitesse maximale permise jusqu'à ce que la pression de refoulement atteigne la pression d'arrêt automatique. Le compresseur s'arrêtera si la pression de refoulement atteint le point de consigne de pression d'arrêt automatique. Si le compresseur s'arrête pour cette raison, il redémarrera automatiquement lorsque la pression du système descend au-dessous de la pression ciblée.

Le mode d'entraînement à fréquence variable VFD est le mode de fonctionnement de marche par défaut.

MARCHE/ARRÊT PROGRAMME

Le mode de marche/arrêt programmé est un mode de marche/arrêt automatique basé sur l'heure réelle. La fonction d'heure de démarrage programmée sert à faire démarrer le compresseur automatiquement au moment où l'heure réelle est la même que l'heure de départ programmée introduite comme point de consigne. La fonction d'heure d'arrêt programmée sert à arrêter le compresseur automatiquement au moment où l'heure réelle est la même que l'heure d'arrêt programmée introduite comme point de consigne.

HEURE DE DÉMARRAGE PROGRAMMÉE.

Cette fonction est l'heure de démarrage programmée utilisée pour le démarrage programmé du compresseur. Lorsque le mode de marche/arrêt programmé est activé, que l'heure réelle est la même que ce point de consigne et que le compresseur ne fonctionne pas à ce moment là, le compresseur démarrera automatiquement. L'utilisateur peut ajuster ce point de consigne en sélectionnant la valeur de temps avec les flèches gauche/droite et en défilant jusqu'à la valeur désirée avec les flèches haut/bas.

HEURE D'ARRÊT PROGRAMMÉE

Cette fonction est l'heure d'arrêt programmée utilisée pour l'arrêt programmé du compresseur. Lorsque le mode de marche/arrêt programmé est activé, que l'heure réelle est la même que ce point de consigne et que le compresseur fonctionne à ce moment là, le compresseur arrêtera automatiquement. L'utilisateur peut ajuster ce point de consigne en sélectionnant la valeur de temps avec les flèches gauche/droite et en défilant jusqu'à la valeur désirée avec les flèches haut/bas.

REINITIALISATION DES ECONOMIES D'ENERGIE

Cette fonction réinitialise les économies d'énergie enregistrées, affiche les valeurs à 0, et commence à calculer et à enregistrer les nouvelles valeurs à partir de ce point. Elle ne réinitialise pas l'affichage des économies d'énergie sur la vie entière.

ECRAN DE MENU

On accède à l'écran MENU en appuyant sur le bouton MENU situé sous l'écran d'affichage.

L'écran MENU est le point d'où il est possible d'accéder aux autres points de consigne avancés du groupe compresseur, comme les variables pouvant être ajustées par l'utilisateur dans la logique du contrôleur par exemple.

Le nom et la valeur de chaque point de consigne de la liste peuvent être vus sur l'écran en faisant monter et descendre la liste avec les flèches haut/bas.

La liste des paramètres du MENU est la suivante:

- Heure réglée.
- Date réglée.
- PORO.
- Heure PORO.
- Commande à distance.
- Modbus.
- Adresse Modbus.
- Débit en bauds Modbus.
- Prix de l'énergie.
- Unités de mesure [A-PSI, B-Bar/kPa].
- Langue [A- Anglais, C - toutes les autres].

Heure réglée

L'utilisateur peut ajuster ce point de consigne en sélectionnant la valeur de temps avec les flèches gauche/droite et en défilant jusqu'à la valeur désirée avec les flèches haut/bas.

Date réglée

Ce paramètre sert à mettre l'horloge interne à la date correcte. L'utilisateur peut ajuster ce point de consigne en sélectionnant la valeur de date avec les flèches gauche/droite et en défilant jusqu'à la valeur désirée avec les flèches haut/bas.

PORO

Ce paramètre sert à ajuster les heures PORO.

Modbus

Ce paramètre sert à mettre en/hors service l'accès Modbus par le port série.

Adresse Modbus

Ce paramètre sert à modifier l'adresse Modbus et la mettre à la valeur désirée. Il pourrait être en valeur décimale ou hexadécimale.

Débit en bauds de Modbus

Ce paramètre sert à ajuster le débit en bauds de Modbus. Il peut être sélectionné à partir de 9600 bauds jusqu'au maximum dont est capable le VFD. Valeur des paliers standard du débit en bauds (9600, 19200, 38400, etc...).

Prix de l'énergie

Ce paramètre est le prix de l'énergie facturé localement et sert au calcul des économies d'énergie. L'utilisateur peut l'ajuster en sélectionnant la valeur d'unité avec les flèches gauche/droite et en défilant jusqu'à la valeur désirée avec les flèches haut/bas.

Unités de mesure

Ce paramètre sert à sélectionner les unités d'ingénierie de pression désirées, Psi, Bar, kPa. Lorsque les unités de mesure sont changées, tous les écrans affichent immédiatement les valeurs de pression dans les unités nouvellement sélectionnées.

Langue

Ce paramètre sert à sélectionner l'une des langues proposées pour l'affichage.

ECRAN DE SERVICE

Seul le personnel de maintenance autorisé peut accéder à l'écran de service.

ALARMES

Alarme, contacteur température trop élevée de l'air (HATS) – Fonctionne à chaque fois que l'entrée numérique du contacteur HATS est ouverte.

Défaillance de calibrage du capteur P1 – Alarme pour le capteur de pression P1 lors d'un essai de calibrage du capteur et que le relevé de psi zéro (0) est supérieur à +/- 10%.

Défaillance de calibrage du capteur P2 – Alarme pour le capteur de pression P2 lors d'un essai de calibrage du capteur et que le relevé de psi zéro (0) est supérieur à +/- 10%.

Défaillance du capteur de pression P1 – Alarme lorsque les relevés réels du capteur de pression P1 sont inférieurs à 3mA ou supérieurs à 21mA.

Défaillance du capteur de pression P2 – Alarme lorsque les relevés réels du capteur de pression P2 sont inférieurs à 3mA ou supérieurs à 21mA.

Arrêt d'urgence – Alarme à chaque fois que l'entrée numérique d'arrêt d'urgence est ouverte.

Intellikey incorrect – Alarme si un Intellikey installé ne correspond pas à la taille de l'entraînement.

AVERTISSEMENTS

Anomalies VFD – Codes d'anomalie d'entraînement – Toutes les anomalies d'entraînement s'afficheront sous forme de message commun d'erreurs avec les codes d'erreurs existants.

Pression trop élevée, soufflerie arrêtée – Avertissement – Problème détecté lorsque la soufflerie est activée et que l'entrée du contacteur d'état de soufflerie est ouverte. Le compresseur continue à marcher et affiche le message d'avertissement "Pression trop élevée, soufflerie arrêtée".

Pression d'arrêt immédiat dépassée – Avertissement – Problème détecté lorsque la pression d'arrêt immédiat est dépassée. L'état lié à cet avertissement stoppe le compresseur et se réarme automatiquement lorsque la pression contrôlée tombe au-dessous de la pression ciblée.

Pression delta du sécheur – Avertissement – Problème détecté lorsqu'un sécheur est installé et que la différence entre les relevés entre la pression avant sécheur et la pression de refoulement de groupe dépasse 20 PSI. La machine continue à marcher en mode de pression de vitesse et affiche l'avertissement "PD de sécheur trop élevée".

Maintenance proche – L'avertissement "Maintenance proche" devrait apparaître dans la zone d'avertissement au-dessus du graphique à barres lorsqu'il ne reste que 20% ou moins de temps jusqu'à la maintenance, c'est-à-dire moins de 400 heures de marche du compresseur, ou moins de 1752 heures avant la maintenance annuelle suivante.

Témoin clignotant d'avertissement à diode électroluminescente – Pendant l'avertissement "Maintenance proche", ce témoin devrait clignoter lorsqu'il ne reste que 400 à 200 heures de marche du compresseur ou 1752 à 876 heures avant la maintenance annuelle suivante.

Témoin continu d'avertissement à diode électroluminescente – Pendant l'avertissement "Maintenance proche", ce témoin devrait briller de façon continue lorsqu'il reste moins de 200 heures de marche du compresseur ou moins de 876 heures avant la maintenance annuelle suivante.

Maintenance due – L'avertissement "Maintenance due" devrait s'afficher dans la zone d'avertissement lorsque l'horloge de maintenance atteint zéro.

PORO ou avertissement programmé – Le message "Démarrage du compresseur dans XXX secondes" devrait s'afficher pour l'avertissement PORO. Le message "Démarrage programmé dans XXX secondes" devrait s'afficher pour l'avertissement de démarrage programmé. XXX est le temps qui reste avant le démarrage réel.

Programme de Maintenance

PÉRIODE	MAINTENANCE
<p>Toutes les 24 heures de fonctionnement</p> <p>Vérifier la machine contre les fuites, la formation de poussière ou les vibrations et les bruits anormaux</p> <p>Quand le compresseur est équipé d'un réservoir d'air comprimé</p>	<p>Vérifier le niveau de coolant, en remettre si nécessaire.</p> <p>En cas de doute, informer et demander l'assistance du distributeur agréé Ingersoll Rand.</p> <p>Drainer le condensat du réservoir d'air comprimé ou s'assurer du bon fonctionnement du drainage automatique.</p>
Vérifier l'ensemble de pré filtrage	Nettoyer à l'air comprimé si nécessaire
Après les premières 150 hrs	Changer le filtre coolant.
Tous les mois ou toutes les 100 heures	<p>Enlever et nettoyer l'ensemble de l'élément de pré filtrage et remplacer si nécessaire.</p> <p>Vérifiez l'absence de matériaux étrangers dans le(s) radiateur(s). Nettoyez-le(s) le cas échéant en les soufflant avec de l'air comprimé ou par nettoyage sous pression.</p>
Tous les 4 mois	<p>CONDENSEUR Enlever toute poussière des ailettes du condenseur.</p> <p>COMPRESSEUR S'assurer que la consommation de puissance du compresseur se conforme avec les spécifications de la plaque de données.</p>

PÉRIODE	MAINTENANCE
Chaque année ou les 2000 heures de fonctionnement	<p>Vérifier le fonctionnement de la protection haute température (109 °C).</p> <p>Changer le filtre du produit de refroidissement.</p> <p>Vérifier que l'orifice de balayage est exempt de blocage. Nettoyer s'il y a lieu.</p> <p>Inspecter le moteur avec accessoires graissés-paliers graissés, suivant la plaque signalétique du moteur.</p> <p>Remplacer les éléments des filtres IRGP et IRHE.</p> <p>Changer la cartouche de séparation.</p> <p>Changer l'élément filtrant.</p> <p>Prélevez un échantillon de fluide de refroidissement pour l'analyser.</p> <p>Changer l'ensemble de l'élément de pré filtrage.</p> <p>CANALISATIONS D'EVACUATION DU CONDENSAT Désassembler complètement les canalisations d'évacuation et nettoyer tous leurs éléments.</p>
Tous les deux ans ou 8000 heures de fonctionnement	<p>Remplacer le coolant au premier des termes échus.</p> <p>Vérifier et remplacer tous les articles qui ont fait 2000 heures de service.</p>
Tous les 4 ans ou les 16000 heures de fonctionnement	<p>Remplacer les roulements étanches sur les moteurs (accessoires sans graisse).</p> <p>Démonter, nettoyer et graisser de nouveau ou remplacer les paliers du moteur sur les moteurs avec accessoires graissés</p> <p>Monter les basculeurs de remplacement du contacteur électrique.</p>

MAINTENANCE DE ROUTINE

Cette section va traiter les différents composants qui réclament un entretien périodique et un remplacement.

Il est à remarquer que les intervalles d'entretien requis peuvent être réduits considérablement à cause du mauvais environnement de fonctionnement. Ceci comprendrait les effets de contamination atmosphérique et de température élevée.

La **TABLEAU DE MAINTENANCE** indique les différents composants et les intervalles entre intervention lors des services de maintenance. Les capacités d'huile et les autres peuvent être trouvés dans les **INFORMATIONS GÉNÉRALES** de ce manuel.

L'air comprimé peut être dangereux s'il est mal utilisé. Avant d'intervenir sur la machine, s'assurer que toutes les pressions soient éliminées du système et que la machine ne peut être démarrée accidentellement.

ATTENTION: Avant de commencer tous travaux sur le compresseur, il faut ouvrir, verrouiller et plomber le câblage électrique principal, débrancher et fermer la soupape d'isolation sur la sortie du compresseur. Mettez l'appareil à l'air en dévissant lentement d'un tour le bouchon de remplissage du liquide de refroidissement. Ceci ouvre un trou de mise à l'air percé dans le bouchon, permettant à la pression de l'air comprimé de se libérer à l'air libre. N'enlevez pas le bouchon jusqu'à ce que la pression soit complètement tombée dans le compresseur. Mettez les canalisations à l'air également en ouvrant la soupape de purge. Lorsque vous ouvrez le bouchon de remplissage de liquide de refroidissement ou la soupape de purge, maintenez-vous à distance de la sortie de soupape et mettez des lunettes de protection appropriées.

Assurez-vous que les personnels de maintenance sont formés comme il se doit, qu'ils sont compétents et qu'ils ont lu les Manuels de Maintenance.

Avant de commencer tous travaux de maintenance, assurez-vous que:-

- . Tout l'air comprimé est évacué et isolé du système. Si le clapet de dépressurisation automatique est utilisé pour ce faire, laissez suffisamment de temps pour que le processus se termine complètement.
- . Vérifiez que la machine ne peut pas être mise en marche inopinément.
- . Toutes les sources d'alimentation électriques résiduelles (secteur et batteries) sont isolées.

Avant d'ouvrir ou de déposer des panneaux ou des capots à l'intérieur de la machine, assurez-vous que:-

- . Toute personne ayant accès à la machine est au courant du niveau réduit de protection et des dangers supplémentaires, dont les surfaces chaudes et les pièces en mouvement intermittent.
- . Vérifiez que la machine ne peut pas être mise en marche inopinément.

Avant de commencer des travaux de maintenance sur une machine en fonctionnement, assurez-vous que:-

DANGER!
Seuls des personnels formés correctement et compétents sont en mesure d'effectuer des travaux de maintenance lorsque le compresseur fonctionne ou lorsque l'alimentation électrique est connectée.

- . Les travaux se limitent aux tâches qui doivent être menées à bien alors que la machine fonctionne.
 - . Les travaux effectués lorsque les systèmes de protection neutralisés ou déposés se limitent uniquement aux tâches qui doivent être menées à bien lorsque la machine fonctionne sans ces systèmes de protection neutralisés ou déposés.
 - . Tous les dangers présents sont connus (par exemple les composants sous pression, les composants sous tension, les panneaux, les capots et les plaques de garde déposés, entrée et sortie d'air, pièces en mouvement intermittent, sortie de la soupape de sécurité, etc...)
 - . Des équipements de protection appropriés sont portés.
 - . Les vêtements flottants, les bijoux, les cheveux longs, etc... sont sécurisés.
 - . Des panneaux indiquant que des *travaux de maintenance sont en cours* sont installés de telle manière à ce qu'ils soient clairement visibles.
- Une fois les tâches de maintenance terminées, et avant de remettre la machine en service, assurez-vous que:-**
- . La machine a été essayée d'une manière adéquate.
 - . Toutes les protections et tous les systèmes de sécurité sont remontés et fonctionnent correctement

- . Tous les panneaux sont remis en place, le capot et les portes fermés.
- . Les matériaux qui présentent un risque doivent être effectivement contrôlés et éliminés conformément aux normes de la protection de l'environnement locales et nationales.

ATTENTION
Ne toucher aux purgeurs ou à n'importe quel autre composant du compresseur sous aucun prétexte sans s'être assuré que le compresseur est COMPLETEMENT ARRETE, le courant coupé et l'ensemble dépressurisé.

Vérifier le manomètre du sécheur et ventiler les conduites du sécheur pour atteindre une pression égale à zéro avant d'effectuer les réparations.

PROCEDURE D'EMPLISSAGE DU PRODUIT DE REFROIDISSEMENT

Le réservoir sert à éviter le trop-plein. L'unité en marche étant mise à l'arrêt selon la procédure normale, le voyant de niveau doit se situer à mi hauteur. Le niveau ne doit pas chuter en dessous du niveau bas du voyant dans le cas d'un fonctionnement avec charge fixe.

ATTENTION
Veiller à utiliser le nouveau réfrigérant SSR ULTRA COOLANT, sous risque d'annulation de la garantie du fabricant.

PROCEDURE DE VIDANGE DU LIQUIDE DE REFROIDISSEMENT

Il est préférable de faire cette vidange juste après l'arrêt du compresseur car le liquide sortira plus aisément et tous les contaminants resteront en suspension.

1. Arrêtez la machine, isolez ses circuits électriques et dépressurisez-la complètement.
2. Placer un récipient près du robinet de drainage.
3. Enlever doucement le bouchon d'emplissage/purge.
4. Enlever le bouchon du robinet de drainage.
5. Ouvrir le robinet de drainage et drainer le produit de refroidissement dans le récipient.
6. Fermer le robinet de drainage.
7. Remettre le bouchon dans la vanne de drainage.
8. Remplir la machine en suivant la procédure de remplissage de liquide de refroidissement ci-dessus. Après un remplissage initial, pour purger toute poche d'air éventuelle, il est nécessaire de faire fonctionner la machine pendant quelques minutes avant de vérifier que le niveau est correct.
9. Remplir complètement, si nécessaire, après fonctionnement pendant cinq minutes.
10. Remettre en place et serrer le bouchon d'emplissage d'huile.
11. Utiliser les méthodes appropriées pour éliminer les résidus et les déchets.

PROCEDURE DE CHANGEMENT DU FILTRE A COOLANT

1. Arrêtez la machine, isolez ses circuits électriques et dépressurisez-la complètement.
2. Desserrer le filtre à l'aide d'un outil approprié.
3. Enlever le filtre de son logement.
4. Mettre le filtre usagé dans un sac hermétique et éliminer d'une manière sûre.
5. Nettoyer les faces de contact du logement en prenant soin d'éviter toute entrée de particules dans la machine.
6. Retirer le nouveau filtre Ingersoll Rand de remplacement de son emballage.
7. Appliquer un petit peu d'huile de graissage au joint du filtre.
8. Visser le nouveau filtre jusqu'à ce que le joint vienne en contact avec le logement. Serrer ensuite à la main d'un demi-tour supplémentaire.
9. Démarrer le compresseur et vérifier que l'ensemble ne fuit pas.

PROCEDURE DE CHANGEMENT DE L'ELEMENT FILTRANT

1. Arrêtez la machine, isolez ses circuits électriques et dépressurisez-la complètement.
2. Dévisser le boulon de fixation et retirer le vieil élément.
3. Monter le nouvel élément.
4. Remettre en place le couvercle de fixation.

PROCEDURE DE CHANGEMENT DE LA CARTOUCHE DE SEPARATION

1. Arrêtez la machine, isolez ses circuits électriques et dépressurisez-la complètement.
2. Desserrer la cartouche de séparation à l'aide d'un outil approprié.
3. Enlever la cartouche du logement Placer cette cartouche dans un sac hermétique et disposer dans un lieu d'élimination avec soin.
4. Nettoyer les faces de contact du logement.
5. Retirer la nouvelle cartouche Ingersoll Rand de son emballage.

6. Appliquer une petite quantité d'huile de graissage au joint de la cartouche.
7. Visser la nouvelle cartouche jusqu'à ce que le joint vienne en contact avec le logement. Serrer ensuite à la main d'un demi-tour supplémentaire.
8. Démarrer le compresseur et vérifier s'il y a des fuites.

ATTENTION

Cette unité n'est pas conçue ou prévue pour fonctionner si elle est contaminée par la silicone. Les lubrifiants, les graisses ou autres articles qui peuvent contenir de la silicone ne doivent pas être utilisés sur cette unité.

PROCEDURE DE NETTOYAGE DU RADIATEUR

1. Arrêtez la machine, isolez ses circuits électriques et dépressurisez-la complètement.
2. Déposer le capot arrière pour accéder au refroidisseur.
3. Nettoyer le refroidisseur, en utilisant un jet d'air pour éjecter les débris se trouvant dans le groupe.
4. Remontez en suivant l'ordre inverse.

REGLAGE DU TRANSDUCTEUR DE PRESSION (PT)**VERIFIER LA PRESSION MAXIMUM DE REFOULEMENT**
(Point de disjonction maximum du transducteur de pression)

Fermer lentement la soupape d'isolement se trouvant à côté du compresseur. Observer l'augmentation de la pression et vérifier que le transducteur de pression s'ouvre lorsque la pression Maximum correcte de refoulement est atteinte.

La pression maximum de sortie est indiquée sur la plaque constructeur de la machine.

NE DEPASSEZ PAS ces chiffres.

Le compresseur doit s'arrêter lorsque la pression du système atteint cette pression.

POUR VÉRIFIER LA RÉFÉRENCE PRESSION

Observer la chute de pression de la conduite et noter à quel niveau le capteur de pression arrête (et lance le compresseur).

POUR RÉGLER LA RÉFÉRENCE PRESSION

Déposer le panneau de l'enceinte du compresseur d'air et repérer le POT. Tourner dans le sens des aiguilles d'une montre le bouton de réglage POT pour augmenter la consigne ou le tourner dans le sens contraire pour la diminuer.

POUR PASSER DU MODE ENTRAINEMENT A VITESSE VARIABLE AU MODE ENTRAINEMENT A VITESSE FIXE.

Déposer le panneau de l'enceinte du compresseur d'air et repérer l'interrupteur. Comme cet interrupteur comporte 2 positions, il suffit de le faire basculer d'une position à l'autre pour changer de mode.

ROBINET DE PURGE ELECTRIQUE

DESCRIPTION DU PRODUIT

Le Robinet de Purge Electrique élimine le condensat d'eau et l'huile du réservoir-réceptacle d'air comprimé. Des purges supplémentaires peuvent être installées dans l'ensemble du système à air comprimé, comme par exemple les radiateurs secondaires, les filtres, les tubes d'égouttage et les dessiccateurs.

Le robinet de purge électrique fonctionne par l'intermédiaire d'une minuterie, qui peut être réglée pour purger automatiquement le réservoir d'air à des intervalles pré-déterminés par l'opérateur.

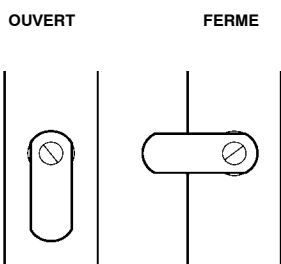
Les caractéristiques principales sont les suivantes :

- Fonctionnement 100% continu
- Boîtier NEMA 4
- Réglage de marche (0,5mn – 10 secondes)
- Réglage d'arrêt (0,5 – 45 minutes)
- Déclencheur en acier inoxydable
- LED indiquant la mise sous tension
- LED indiquant que le robinet est ouvert
- Priorité manuelle.

FONCTIONNEMENT

1. Ouvrez le robinet à boisseau de la trémie.

Robinet à boisseau de la trémie



2. Réglez les boutons de marche et d'arrêt de la minuterie. Consultez la rubrique REGLAGE DE LA MINUTERIE (ci-dessous) pour obtenir l'explication des réglages.

3. Vérifiez l'absence de fuites d'air lorsque le compresseur fonctionne.

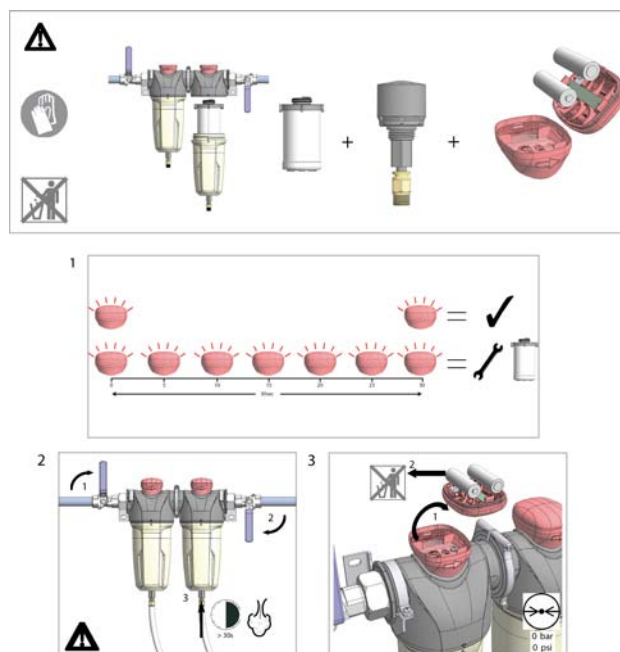
REGLAGE DE LA MINUTERIE

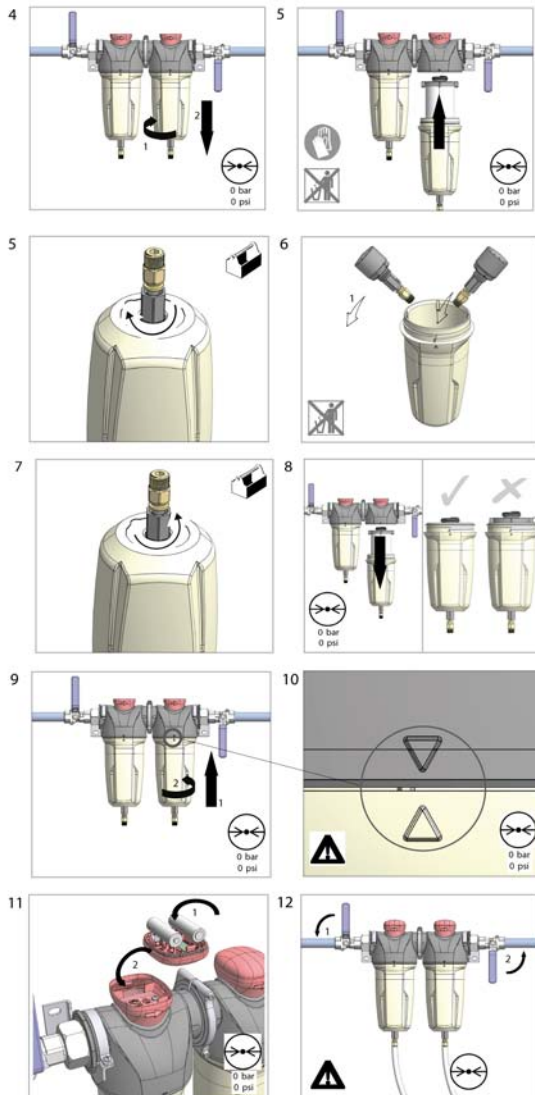
Le réglage « arrêt » détermine l'intervalle entre les cycles, de 30 secondes à 45 minutes. Le réglage « marche » détermine le laps de temps pendant lequel le compresseur purge le condensat.

Le rythme du cycle et la durée d'ouverture du robinet de purge doivent être ajustés pour que celui-ci s'ouvre juste assez longtemps pour éliminer le condensat. La minuterie est réglée correctement lorsque le système s'ouvre et élimine le condensat et purge de l'air pendant environ une seconde avant de se refermer. Les réglages peuvent dépendre de plusieurs facteurs, y compris l'humidité et le cycle de fonctionnement du compresseur.

ENTRETIEN DU FILTRE A AIR

Pour pouvoir s'assurer de la qualité optimale de l'air comprimé, l'élément du filtre devrait être remplacé tel qui suit. (Les éléments usés du filtre doivent être jetés selon les règlements locaux.) Utiliser seulement les vrais éléments de remplacement Ingersoll Rand





DESASSEMBLAGE DE LA MACHINE

La machine a été conçue et construite pour garantir un fonctionnement permanent.

La longue durée de service de certains éléments tels que le ventilateur et le compresseur dépend d'un bon entretien.

La machine doit être désassemblée seulement par un spécialiste de réfrigérant.

Récupérez le liquide réfrigérant, les pièces de réfrigération et l'huile de graissage contenue dans le circuit de réfrigération conformément aux normes en vigueur dans le pays où la machine est installée.

DESASSEMBLAGE DE RECYCLAGE

Châssis et panneaux	Acier /polyester de résine époxyde
Echangeur thermique (refroidisseur)	Acier inoxydable
Tuyaux	Cuivre
Isolation	Gomme synthétique
Compresseur	Acier / cuivre / aluminium / huile
Condenseur	Aluminium
Réfrigérant	R134a
Soupape	Acier

FUITES DE REFRIGERANT DANS LE CIRCUIT DE REFRIGERATION

La machine est expédiée dans un état parfait de fonctionnement et elle est déjà chargée.

Il est possible d'identifier les fuites de liquide frigorigène en déclenchant le protecteur de surcharge frigorifique.

SI UNE FUITE EST DETECTEE DANS LE CIRCUIT DU REFRIGERANT, DEMANDER DE L'ASSISTANCE TECHNIQUE.

CHARGEMENT DU REFRIGERANT

CETTE OPERATION DOIT ETRE EXECUTEE PAR UN SPECIALISTE DE REFRIGERANT.

LORSQUE LE CIRCUIT DE REFRIGERANT EST EN REPARATION, RECUEILLIR TOUT LE REFRIGERANT DANS UN RECIPIENT ET LE DISPOSER D'UNE FACON APPROPRIEE.

CARACTERISTIQUES DU REFRIGERANT R134A

Dans des conditions normales de température et de pression, le réfrigérant ci-dessus est un gaz sans couleur, de classe A1/A1, avec une valeur TVL de 1000ppm (classification ASHRAE).

Si une fuite de réfrigérant se produit, aérer la pièce à fond avant de commencer à travailler.

RECHERCHE DE PANNES

PANNE	RAISON	ACTION
L'électrovanne de condensat ne se ferme pas.	Débris dans l'électro-vanne, qui empêchent le diaphragme de se refermer.	Déposez l'électro-vanne, démontez-la, nettoyez-la et remontez-la.
	Court-circuit dans un composant du circuit électrique.	Vérifiez et remplacez le câble d'alimentation, ou la minuterie le cas échéant.
Le minuteur de vidange ne fonctionne pas.	Pas d'alimentation électrique.	Mettez l'ensemble sous tension.
	Anomalie de fonctionnement de la minuterie.	Remplacez la minuterie.
	Orifice obstrué..	Nettoyez le robinet.
	Anomalie de fonctionnement de l'électro-vanne.	Remplacez l'électro-vanne.
	Trémie bouchée.	Nettoyez la trémie.

MAINTENANCE

Nettoyez régulièrement le filtre du robinet pour que la purge puisse fonctionner à sa capacité maximale. Pour ce faire, respectez la procédure suivante:

1. Fermez le robinet à boisseau à fond, pour l'isoler du réservoir d'air.
2. Appuyez sur la touche TEST de la minuterie pour purger l'air sous pression resté dans le robinet. Recommencez l'opération jusqu'à ce qu'il ne reste plus d'air sous pression.

ATTENTION ! L'air comprimé sous forte pression peut blesser (débris expulsés sous pression). Vérifiez que le robinet à boisseau de la trémie est fermé à fond et qu'il n'y a plus d'air dans le robinet avant de procéder au nettoyage.

3. Déposez le bouchon de la trémie avec une clef appropriée. Si vous entendez de l'air s'échapper par l'orifice de nettoyage, **ARRETEZ IMMEDIATEMENT** et recommencez les étapes 1 et 2.

4. Déposez le filtre en acier inoxydable et nettoyez-le. Enlevez tous les débris qui pourraient se trouver dans le corps de la trémie avant de remonter le filtre.

5. Revissez le bouchon et serrez avec la clef.

6. Lors de la remise en service du robinet de purge électrique, appuyez sur la touche TEST pour confirmer son bon fonctionnement.

DEFAUT	CAUSE	SOLUTION
Le compresseur ne se met pas en marche	Alimentation électrique principale ou tension de contrôle n'est pas disponible.	§ Vérifier l'alimentation électrique. § Vérifier le fusible du circuit de commande.
La machine s'arrête régulièrement et signale une anomalie	Température de bloc compresseur élevée	Remplir de produit de refroidissement.
	Variation de tension sectorielle hors plage.	§ Vérifier que la tension se situe bien dans les limites de fonctionnement et qu'aucune pointe de tension n'est suscitée par des équipements externes ou par l'alimentation en énergie.
Forte consommation de courant	Le compresseur fonctionne à une pression supérieure à la pression nominale.	Remettre la pression à la valeur nominale correcte de la machine.
	Cartouche de séparateur contaminée.	Changer le filtre à air et la cartouche du séparateur.
	Faible tension.	§ S'assurer qu'il n'y a pas une chute de tension qui dépasse 10% au démarrage et 6% Durant le fonctionnement.
	Tension instable.	Corriger la tension d'alimentation.
	Bloc compresseur endommagé	† Changer le bloc vis.
	Filtre(s) à air comprimé contaminé(s).	Remplacer le(s) filtre(s) à air.
Faible consommation de courant	Filtre à air contaminé.	Changer le filtre à air.
	Le compresseur fonctionne en mode délesté.	Régler la pression à la pression nominale correcte de la machine.
	Tension élevée.	Réduire le voltage au voltage correct de fonctionnement.
Forte pression de sortie	Défaut de réglage du contacteur manométrique.	Remettre ou régler la pression à la pression nominale correcte de la machine.
	Mauvais fonctionnement de la soupape d'admission.	† Monter le Kit d'entretien de la soupape d'entretien.
Faible pression dans le système	Cartouche de séparateur contaminée.	Monter une nouvelle cartouche du séparateur.
	Réglage incorrect du transducteur de pression.	Régler la pression à la pression nominale correcte de la machine.
	Défaillance de la soupape de pression minimum.	† Monter le Kit d'entretien de la soupape à pression minimale.
	Le système d'air fuit.	† Arrêter les fuites.
	Mauvais fonctionnement de la soupape d'admission.	† Monter le Kit d'entretien de la soupape d'admission.
	La demande en air comprimé du système dépasse le débit du compresseur.	Réduire la demande ou installer un compresseur supplémentaire.
Point de rosée élevé	Compresseur frigorifique non alimenté en électricité.	Vérifier l'alimentation électrique entrante.
		Vérifier le fusible de protection du déshydrateur.
		Vérifier le contact auxiliaire du contacteur du moteur principal.
	Dysfonctionnement du système de condensat.	Vérifier le fonctionnement de la vanne de vidange.
		Vérifier le fonctionnement des clapets de retenue du condensat.
Condenseur encrassé.	Nettoyer le condenseur et remplacer l'élément filtre du panneau.	
Formation de glace dans le déshydrateur	Faible pression de l'évaporateur.	Vérifier le réglage de la vanne des gaz chauds.

NOTES:

§ Doit être effectué par un électricien qualifié.

† Il est recommandé de faire effectuer ce travail par un technicien agréé par Ingersoll Rand seulement.

DEFAUT	CAUSE	SOLUTION
Déclenchements du compresseur dus aux surchauffes.	Le module du compresseur fonctionne au-dessus de la pression nominale.	Régler correctement la pression nominale de la machine. 1. Filtres bloqués 2. Cartouche de séparateur bloquée 3. Circulation d'air restreinte dans le sécheur
	Ensemble de pré filtrage bloqué.	Nettoyer / remplacer l'ensemble de pré filtrage.
	Radiateur bouché.	Nettoyer le refroidisseur.
	Carénages absents ou mal montés	Vérifiez que tous les carénages sont correctement montés
	Faible niveau de liquide de refroidissement.	Remplir avec du produit de refroidissement et vérifier s'il y a des fuites.
	Température ambiante élevée.	Remise du compresseur sur site.
	Débit d'air de refroidissement restreint.	Assurer l'écoulement correct d'air au compresseur.
Consommation excessive de liquide de refroidissement	Fuite de l'élément séparateur.	Monter une nouvelle cartouche du séparateur.
	Purge de l'élément séparateur bouchée	† Enlever les organes accessoires et nettoyer.
	Le compresseur fonctionne en-dessous de la pression nominale.	Régler la pression à la pression nominale correcte de la machine.
	Fuite dans le système de refroidissement.	† Arrêter les fuites.
Niveau de bruit excessif	Le système d'air fuit.	† Arrêter les fuites.
	Défaillance dans le bloc compresseur.	† Changer le bloc vis.
	Défaillance moteur.	† Remplacer le moteur.
	Pièces mal serrées.	† Assujettir les parties desserrées.
Fuite au niveau du joint d'arbre	Joint d'arbre défaillant.	† Monter le Kit du joint de l'arbre du bloc vis.
La soupape de sécurité s'ouvre	Transducteur défectueux ou mauvais réglage du transducteur de pression.	Remettre ou régler la pression à la pression nominale correcte de la machine.
	Défaillance de la soupape de pression minimum.	† Monter le Kit d'entretien de la soupape à pression minimale.
	Mauvais fonctionnement de la soupape d'admission.	† Monter le Kit d'entretien de la soupape d'admission.
	Filtre(s) à air comprimé contaminé(s).	Remplacer le(s) filtre(s) à air.
	Cartouche du séparateur bloquée	Nettoyer/remplacer la cartouche du séparateur.
	Filtres à air comprimé bloqués	Nettoyer/remplacer les filtres à air comprimé.
	Condensat gelé dans le sécheur .	Vérifier la vanne de dérivation des gaz chauds Vérifier que la température ambiante est supérieure à 2 °C (35 °F).

NOTES:

§ Doit être effectué par un électricien qualifié.

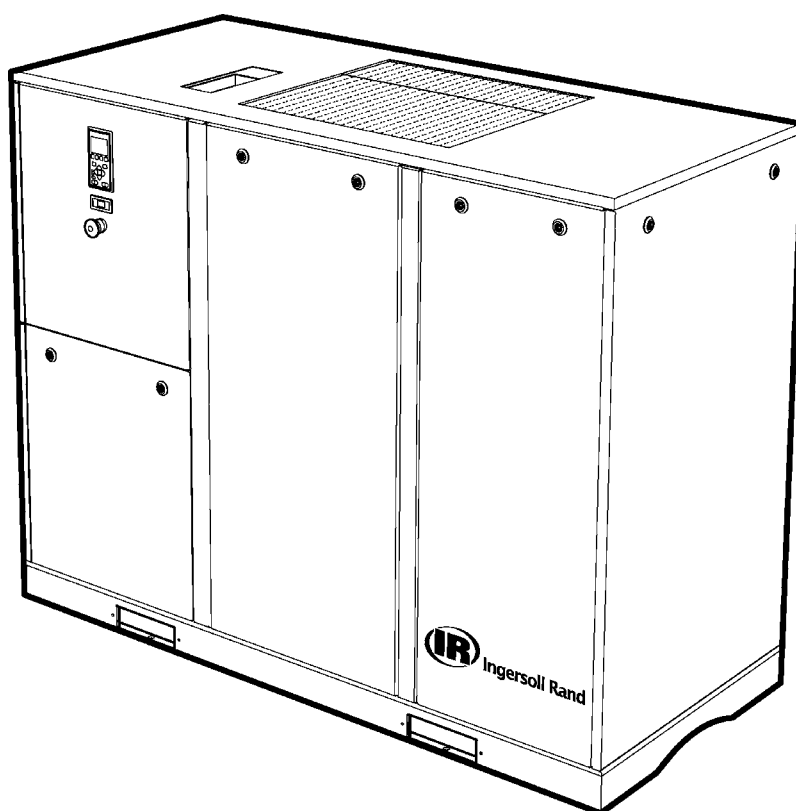
† Il est recommandé de faire effectuer ce travail par un technicien agréé par Ingersoll Rand seulement.

Ingersoll Rand

IRN 15 – 18.5 kW (20 – 25 HP)

IRN 22 – 30 kW (30 – 40 HP)

MANUAL DE OPERAÇÃO E CONSERVAÇÃO



Assegure-se que o operador lê e *compreende* os avisos e consulta o manual antes de proceder à utilização e conservação da máquina.

Assegure-se que o Manual de Funcionamento e Manutenção não é retirado permanentemente da máquina

Assegure-se de que o pessoal de manutenção está devidamente treinado, é competente e estudou os Manuais de Manutenção.

C.C.N. : 80445364 pt

REV. : A

DATA : Outubro 2008

GRUPO COMPRESSOR DE AR GARANTIA FORMAL E ARRANQUE REGISTRADO

Garantia

A Companhia garante que o equipamento por ela fabricado e entregue segundo as condições aqui estipuladas estará livre de defeitos de material e de mão de obra durante um período de doze meses a partir da data da entrada do Equipamento em funcionamento ou de dezoito meses a partir da data de despacho da fábrica, conforme o que ocorrer primeiro. O Comprador está obrigado a comunicar prontamente por escrito à Companhia dentro do referido período qualquer falha no cumprimento desta garantia, perante isso a Companhia fará, ao seu critério, a correcção de tal não conformidade, por meio de reparação a tal equipamento ou, fornecerá uma peça de substituição F.O.B. no ponto de despacho, desde que o Comprador tenha armazenado, instalado, mantido e usado tal Equipamento de acordo com as boas práticas da indústria e tenha cumprido com as recomendações específicas da Companhia.

Acessórios ou equipamento fornecido pela Companhia, mas fabricado por outros, terá todas as garantias que os fabricantes tenham transferido para a Companhia e que possam ser passadas ao Comprador. A Companhia não será responsável por quaisquer reparações, substituições ou regulações ao Equipamento ou em quaisquer custos de mão de obra executada pelo Comprador ou por outros sem autorização prévia por escrito da Companhia.

Os efeitos de corrosão, erosão e desgaste normal estão especificamente excluídos desta garantia. As garantias de desempenho estão limitadas às especificamente indicadas na proposta da Companhia. A não ser que a responsabilidade para cumprir com garantias de desempenho esteja limitada a ensaios especificados, a obrigação da Companhia será a de corrigir da maneira e pelo período de tempo acima providenciado.

A COMPANHIA NÃO DÁ QUALQUER OUTRA GARANTIA OU RECLAMAÇÃO FUNDAMENTADA SEJA DE QUE ESPÉCIE FOR, EXPRESSA OU IMPLÍCITA, EXCEPTO A DE TÍTULO É POR ISSO TODAS AS GARANTIAS IMPLÍCITAS DE COMERCIALIZABILIDADE E APTIDÃO PARA UM DETERMINADO PROPÓSITO, FICAM NESTE DOCUMENTO RENUNCIADAS.

A correcção por parte da Companhia de faltas de conformidade, sejam patentes ou latentes, do modo e durante o período de tempo acima providenciado constituirá cumprimento total de todas as responsabilidades da Companhia para tais faltas de conformidade, estejam baseadas em contrato, negligência de garantia, indemnização, responsabilidade directa ou de outra forma com respeito a ou advindo de tal Equipamento.

O comprador não trabalhará com Equipamento que seja considerado estar deficiente sem primeiro avisar a Companhia por escrito de que tenciona fazer isso. Qualquer uso do Equipamento nessas circunstâncias será por conta e risco do Comprador e de sua exclusiva responsabilidade.

Note que esta é uma garantia normalizada da Ingersoll Rand. Qualquer garantia em vigor na altura da aquisição do compressor ou negociada como parte da encomenda pode ter precedência sobre esta garantia.

Registo 'on-line' em <http://air.ingersollrand.com>

Ingersoll Rand
Industrial Air Solutions
Swan Lane
Hindley Green
Wigan WN2 4EZ

Ingersoll Rand Asia Pacific
C/O Ingersoll Rand South East Asia (Pte) Ltd.
42 Benoi Road
Singapore 629903

Ingersoll Rand
Industrial Air Solutions
P.O. Box 1840
800-D Beaty Street
Davidson, NC 28036



ÍNDICE

1	ÍNDICE
2	INTRODUÇÃO
3	AUTOCOLANTES
8	SEGURANÇA
10	INFORMAÇÃO GERAIS
16	INSTALAÇÃO / MANUSEAMENTO
28	INSTRUÇÕES DE OPERAÇÃO
33	MANUTENÇÃO
38	DIAGNÓSTICO DE AVARIAS

ABREVIATURAS E SÍMBOLOS

####	Para números de série, contacte a Ingersoll Rand.
->####	Até ao número de série
####->	A partir do número de série
*	Não ilustrado
†	Opções
NR	Não necessário
AR	A quantidade necessária
SM	Sitemaster/Sitepack
HA	Máquina para temperatura ambiente alta
WC	Máquina refrigerada a água
AC	Máquina refrigerada a ar
ERS	Sistema de recuperação de energia
T.E.F.C.	Motor totalmente fechado, arrefecido por ventilador (IP54)
O.D.P.	Protegido (motor)
ppm	partes por milhão

2 INTRODUÇÃO

O conteúdo deste manual é considerado como sendo confidencial e propriedade da Ingersoll Rand e não pode ser reproduzido sem prévia autorização escrita.

Nada contido neste documento pode ser entendido como qualquer compromisso, garantia expressa ou subentendida, relativamente aos produtos Ingersoll Rand nele descritos. Qualquer garantia, ou outras condições de venda, estará de acordo com os termos normais e condições de venda para tais produtos e que são fornecidos a pedido.

Este manual contém instruções e dados técnicos que cobrem todas as operações de rotina e programa de tarefas de manutenção feitas por pessoal de operações e manutenção. Reparações gerais estão além do âmbito deste manual e devem ser referidas para uma secção de serviços Ingersoll Rand autorizada.

As especificações de projecto desta máquina foram certificadas como cumprindo com as directivas da C.E. Qualquer modificação a qualquer peça é absolutamente proibida e teria como resultado a invalidação do certificado e reconhecimento da C.E.

Todos os acessórios, tubos e ligadores agregados ao sistema de ar comprimido devem ser:

- . de boa qualidade, obtidos de um fabricante com boa reputação e, sempre que possível do tipo aprovado por Ingersoll Rand.
- . na totalidade para uma pressão nominal pelo menos igual à pressão de trabalho máxima admissível da máquina.
- . compatíveis com o líquido de arrefecimento/lubrificante do compressor.
- . acompanhados das instruções para uma montagem, funcionamento e manutenção de confiança.

Podem ser obtidas informações sobre equipamento aprovado, através dos departamentos de Serviço Ingersoll Rand.

O uso de peças de substituição não genuínas para além das incluídas dentro da lista de peças aprovadas da Ingersoll Rand pode originar condições de risco sobre as quais Ingersoll Rand não tem controlo. Por isso Ingersoll Rand não aceita qualquer responsabilidade por perdas causadas por equipamento onde estejam montadas peças de reparação não aprovadas. As condições de garantia normal podem ser afectadas.

A Ingersoll Rand reserva-se o direito de alterar ou melhorar os seus produtos sem aviso e sem incorrer na obrigação de realizar tais modificações ou melhorias nos produtos já vendidos.

Os usos concebidos para a máquina estão assinalados em baixo e são também apresentados exemplos de usos não aprovados, de qualquer forma Ingersoll Rand não pode prever todas as situações de trabalho que possam aparecer.

SE TIVER DÚVIDAS CONSULTE O ENCARREGADO.

Esta máquina foi concebida e fornecida para ser usada somente nas seguintes condições e aplicações especificadas:

- . Compressão de ar ambiente normal não contendo gases adicionais ou detectáveis, vapores ou partículas.
- . Trabalho dentro da amplitude de temperaturas especificada na secção de *INFORMAÇÃO GERAIS* neste manual.

O uso da máquina em qualquer das situações tipo apresentadas no quadro 1:

- a) Não é aprovado por Ingersoll Rand,**
- b) Pode pôr em perigo a segurança dos utilizadores e outras pessoas, e**
- c) Pode prejudicar qualquer reclamação apresentada a Ingersoll Rand.**

TABLA 1

Uso da máquina para gerar ar comprimido para:

- a) consumo humano directo
- b) consumo humano indirecto, sem filtragem adequada e sem verificações de pureza.

Uso da máquina para além da amplitude de temperatura ambiente especificada na *SECÇÃO DE INFORMAÇÃO GERAIS* deste manual.

Uso da máquina quando exista qualquer risco presente ou previsível de níveis perigosos de vapores ou gases inflamáveis.

POR NÃO TER SIDO CONCEBIDA PARA ESSE FIM, ESTA MÁQUINA NÃO PODE SER USADA EM ATMOSFERAS POTENCIALMENTE EXPLOSIVAS, INCLUINDO SITUAÇÕES ONDE POSSAM ESTAR PRESENTES GASES OU VAPORES INFLAMÁVEIS.

Uso da máquina montada com componentes *não aprovados por Ingersoll Rand.*

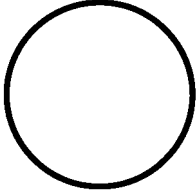
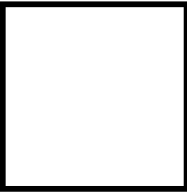
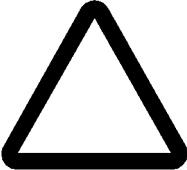

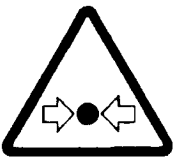

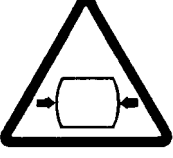



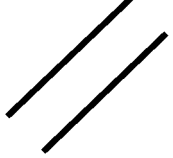








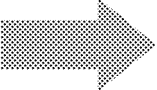
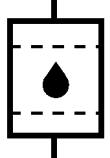
Uso da máquina com componentes de comando ou de segurança em falta ou avariados.

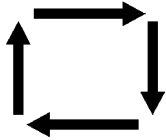
A companhia não pode ser responsabilizada por eventuais erros de tradução da versão Inglesa original.

© COPYRIGHT 2008
INGERSOLL RAND COMPANY LIMITED

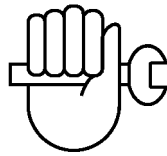
SÍMBOLOS ISO

CONFIGURAÇÃO GRÁFICA E SIGNIFICADO DOS SÍMBOLOS ISO

		
Proibição / mandatário	Informação / Instruções	Aviso
 ADVERTÊNCIA – Risco de choque eléctrico.	 ADVERTÊNCIA – Recipiente pressurizado.	 ADVERTÊNCIA – Superfície quente.
 ADVERTÊNCIA – Sistema ou componente pressurizado.	 ADVERTÊNCIA – Fluxo de ar/gás – descarga de ar.	 Não respire o ar comprimido desta unidade.
 Use o empilhador apenas deste lado.	 REARME	 Não utilize o empilhador deste lado.
 Paragem de emergência.	 Ligado (energia).	 Desligado (energia).
 Leia e compreenda o manual de operação e conservação desta máquina antes a utilizar ou manutencionar.	 Não utilize a máquina sem as protecções.	 Ponto de suspensão.
 ROTAÇÃO	 DESCARGA AR	 FILTRO DEL REFRIGERANTE



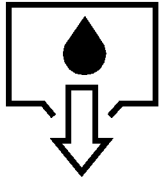
REARRANQUE AUTOMÁTICO



MANTTENÇÃO



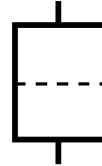
PROHIBIDO EL MANTENIMIENTO



DRENAGEM DE REFRIGERANTE



DRENAGEM DE CONDENSADO



FILTRO



FRÁGIL



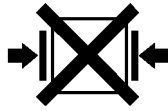
MANTENHA SECO



ESTE LADO PARA CIMA



NÃO USE GANCHOS



SEM GRAMPOS LATERAIS



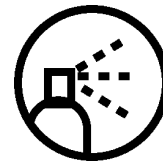
HORAS



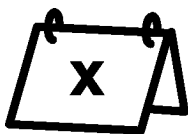
TENSÃO



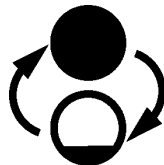
INSPECCIONAR



LIMPAR



Cada X meses, se for antes que o exigido pelas horas de trabalho.



MUDAR / SUBSTITUIR



Perigo, ponto de entalamento. Mantenha as mão afastadas.



ENTRADA TENSÃO (AC)

SÍMBOLOS ANSI**CONFIGURAÇÃO GRÁFICA E SIGNIFICADO DOS SÍMBOLOS ANSI****⚠ PELIGRO**

AR DE ENTRADA. Poderá conter monóxido de carbono ou outros contaminantes. Causará graves ferimentos ou morte. Os compressores de ar da Ingersoll Rand não têm a finalidade e não são aprovados para fornecer ar para respiração. O ar comprimido não deve ser usado para aplicações de respiração de ar a menos que seja tratado de acordo com todos os códigos e regulamentações aplicáveis.

⚠ ADVERTÊNCIA

VOLTAGEM PERIGOSA. Poderá causar graves ferimentos ou morte. Desligue da força antes de fazer reparos ou manutenção. Trave e coloque etiquetas na máquina.



RISCO DE FOGO OU EXPLOSÃO. Faiscas elétricas dos componentes do compressor podem inflamar líquidos ou vapores, o que pode ocasionar ferimentos graves. Nunca ponha o compressor em funcionamento próximo de líquidos ou vapores inflamáveis. Se o compressor for usado para pulverizar materiais inflamáveis, mantenha-o pelo menos 20' (6 metros) afastado da zona de pulverização.



AR SOB ALTA PRESSÃO. Os tanques enferrujados podem causar explosão e graves ferimentos ou morte. Receptor sob pressão. Operador deverá aliviar a pressão no tanque antes de realizar a manutenção. Além do dreno automático, opere a válvula manual de drenar semanalmente. Dreno manual localizado no fundo do tanque.



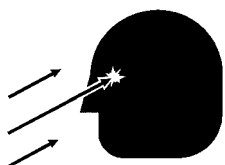
PEÇAS EM MOVIMENTO. Poderão causar graves ferimentos. Não opere sem os protetores instalados. A máquina poderá dar partida automaticamente. Desligue da força antes de fazer reparos ou manutenção. Trave e coloque rótulos na máquina.



SUPERFÍCIES QUENTES. Poderão causar ferimentos. Não toque. Deixe esfriar antes de fazer reparos ou manutenção.



Polias e correias em movimento estão expostas. Pode causar ferimentos graves ou morte. Não opere com as proteções removidas. Desligue a máquina e sinalize para os operadores antes de executar algum serviço.

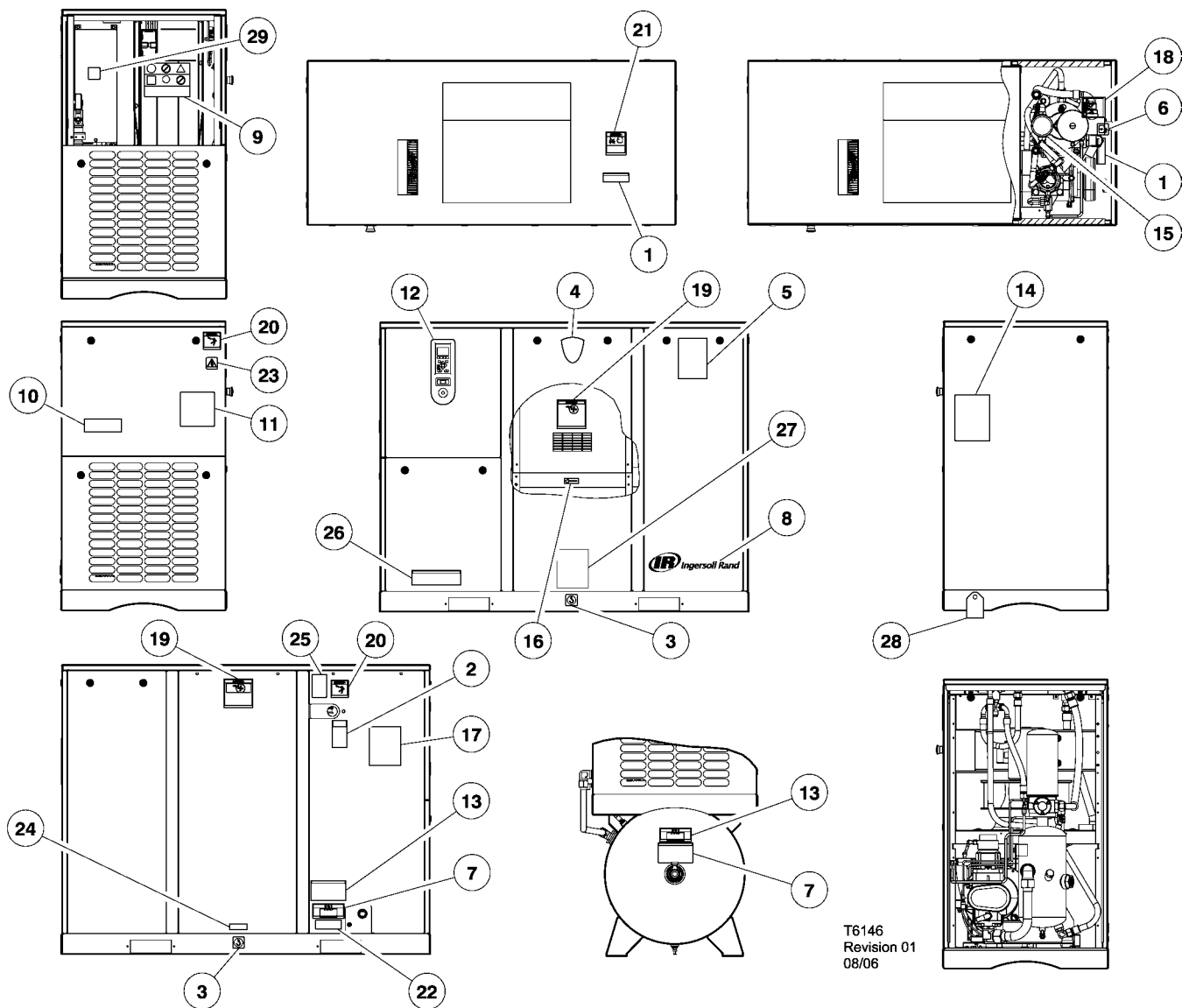


O fluxo do ar de escapamento poderá conter fragmentos lançados. Deverá sempre ser utilizada proteção de segurança.



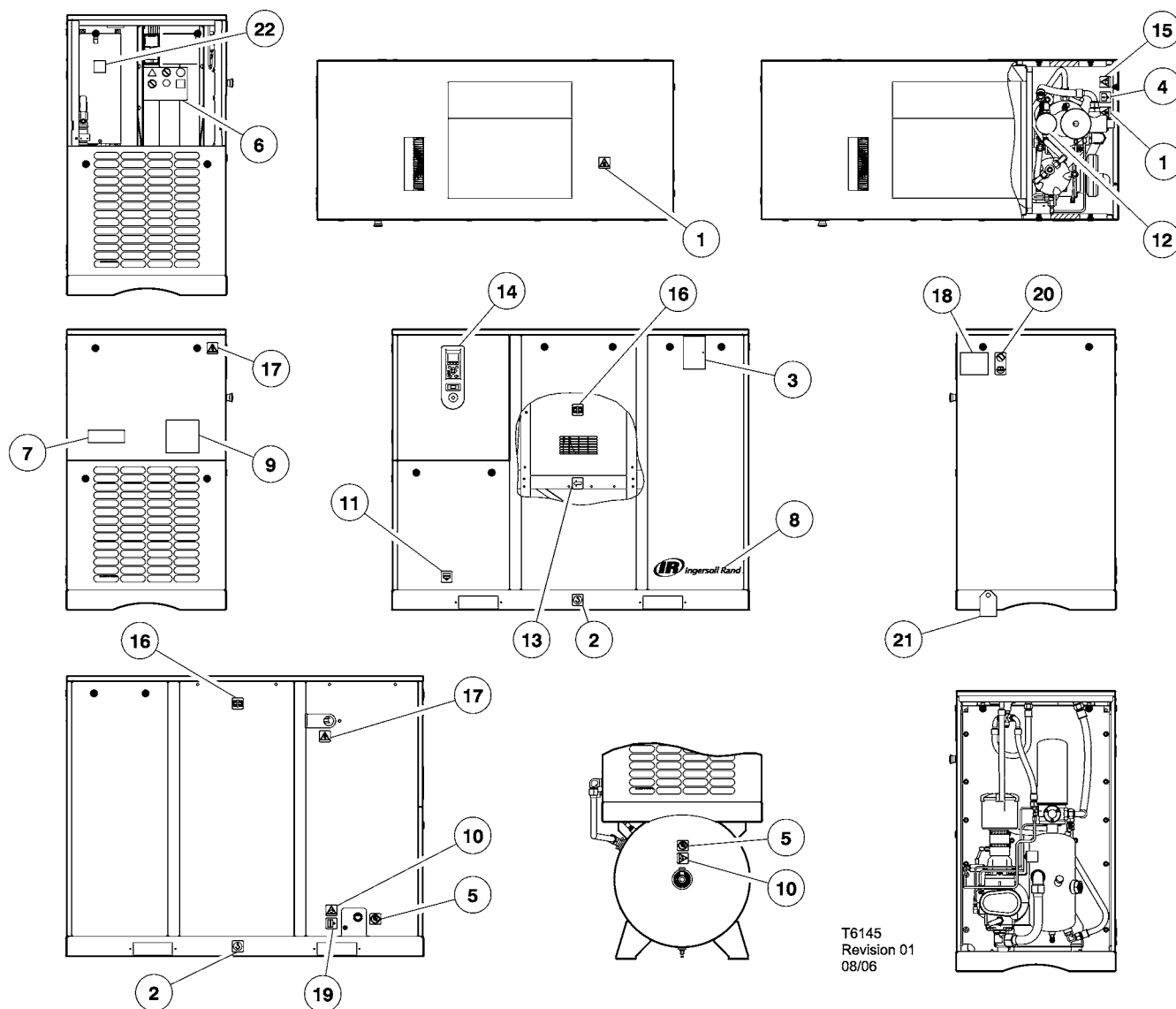
Perigo, ponto de entalamento. Mantenha as mão afastadas.

6 AUTOCOLANTES (A.N.S.I.)



T6146
Revision 01
08/06

Item	ccn	Qty.	Descrição	Item	ccn	Qty.	Descrição
1	32343584	2	Autocolante, aviso de superfície quente	16	30286686	1	Autocolante, aviso de seta de rotação
2	32343907	1	Autocolante, fecho e colocação de etiqueta	17	22794739	1	Autocolante, diagrama eléctrico
3	93171262	2	Autocolante, levantar por aqui	18	32343527	1	Autocolante, aviso de alta pressão
4	81295990	1	Autocolante, resguardo de ar EUA	19	32343550	2	Autocolante, aviso de ventoinha exposta
5	22064562	1	Autocolante, AirCare	20	32343568	2	Autocolante, aviso de tensão perigosa
6	93166460	1	Autocolante, dreno de refrigerante	21	32343899	1	Autocolante, aviso de elementos projectados
7	32343519	2	Autocolante, perigo ar contaminado	22	22181663	1	Autocolante, drenagem
8	22806897	1	Autocolante, logotipo da Ingersoll Rand	23	92930593	1	Autocolante, choque eléctrico
9	22066302	1	Autocolante, quinze minutos antes da assistência	24	32276321	1	Autocolante, autocolante comando de segurança Califórnia
10	22814545	1	Autocolante, válvula de derivação do secador	25	22394381	1	Autocolante, entrada de energia eléctrica
11	-	1	Autocolante, número do modelo	26	32343576	1	Autocolante, dreno automático (Apenas suporte do reservatório)
12	22806871	1	Autocolante, chapa de protecção	27	22547145	1	Autocolante, circuito de ar total (Apenas modelos com secador)
13	32343543	2	Autocolante, aviso de descarga de ar	28	22923015	1	Etiqueta, transporte
14	23353238	1	Autocolante - programa de manutenção.	29	-	1	Decalcomania, tensão
15	93166502	1	Autocolante, elemento de filtro de substituição				



T6145
Revision 01
08/06

Item	ccn	Qtd.	Descrição	Item	ccn	Qtd.	Descrição
1	92867530	2	Autocolante, aviso de superfície quente	12	93166502	1	Autocolante, elemento de filtro de substituição
2	93171262	2	Autocolante, levante aqui (Apenas suporte da base)	13	93165983	1	Autocolante, aviso de seta de rotação
3	22062319	1	Autocolante, etiqueta o que é AirCare.	14	22806871	1	Autocolante, chapa de protecção
4	93166460	1	Autocolante, dreno de refrigerante	15	92930585	1	Autocolante, recipiente pressurizado
5	92867407	2	Autocolante: Não inalar	16	93165959	2	Autocolante, use guardas durante o funcionamento
6	22066302	1	Autocolante, quinze minutos antes da assistência	17	92930593	2	Autocolante, choque eléctrico
7	22814545	1	Autocolante, válvula de derivação do secador	18	22816797	1	Autocolante – programa de manutenção.
	22539431	1	Autocolante, painel de controlo Unidades sem secador	19	93166478	1	Autocolante, drenagem condensada
8	16543464	1	Autocolante, logotipo de Ingersoll Rand	20	92930668	1	Autocolante – Não fazer manutenção sem consultar o Manual.
9	-	1	Autocolante, número do modelo	21	22923015	1	Etiqueta, transporte
10	92867498	2	Autocolante, de descarga de ar	22	-	1	Decalcomania, tensão
11	93166478	1	Autocolante, drenagem automática				

PERIGO!

Perigo que se ignorado **CAUSA MORTE, FERIMENTOS GRAVES** ou danos materiais consideráveis. As instruções têm de ser exactamente cumpridas para evitar ferimentos ou morte.

ADVERTÊNCIA!

Perigo que se ignorado **PODE** causar **MORTE, FERIMENTOS GRAVES** ou danos materiais consideráveis. As instruções têm de ser exactamente cumpridas para evitar ferimentos ou morte.

PRECAUÇÕES

As precauções chamam a atenção para instruções que devem ser estritamente seguidas para evitar danos ao produto, ao processo, ou ao meio circundante.

NOTAS

As notas são utilizadas para as informações suplementares.

PRECAUÇÃO COM AR PARA RESPIRAR

Os compressores Ingersoll Rand não estão concebidos nem designados ou aprovados para ar respirável. O ar comprimido não deve ser usado para aplicações de ar de respiração a menos que seja tratado de acordo com todos os códigos e regulamentos aplicáveis.

Informação gerais

Assegure-se que o operador lê e *compreende* os avisos e consulta o manual antes de proceder à utilização e conservação da máquina.

Assegure-se que o Manual de Operação e Manutenção não é permanentemente removido da máquina.

Assegure-se de que o pessoal de manutenção está devidamente treinado, é competente e estudou os Manuais de Manutenção.

Não aponte injectores ou aspersores na direcção de alguém.

O ar comprimido e a electricidade podem ser perigosos. Antes de proceder a qualquer trabalho no compressor assegure-se que a alimentação eléctrica foi cortada e o compressor está totalmente depressurizado.

Use óculos de protecção quando trabalha ou repara o compressor.

Todo o pessoal que esteja perto da máquina deve estar equipado com protectores de ouvidos e ter ordens para as usar de acordo com os regulamentos de segurança do local de trabalho.

Assegure-se que todas as protecções estão colocadas e que a capotagem/portas estão fechadas durante a utilização.

As características desta máquina não permitem a sua utilização onde haja gases inflamáveis.

A instalação deste compressor deve ser feita de acordo com códigos eléctricos reconhecidos e regulamentos locais sobre higiene e segurança.

O uso de copos de plástico em filtros de linha pode ser perigoso. A sua segurança pode ser afectada pelos lubrificantes sintéticos ou pelos aditivos usados em óleos minerais. Ingersoll Rand recomenda que num sistema pressurizado só devem ser usados filtros com copos metálicos.

Ar comprimido

O ar comprimido pode ser perigoso se utilizado incorrectamente. Antes de realizar qualquer intervenção na unidade, assegure-se que toda a pressão é libertada do sistema e que a máquina não pode ser posta em funcionamento acidentalmente.

ADVERTÊNCIA

A imposição de uma paragem normal ou de emergência do compressor somente descarrega pressão a montante da válvula de pressão mínima no topo do reservatório separador. Se for necessário fazer trabalho de manutenção a jusante desta válvula, assegure-se que toda a pressão é descarregada no ponto de sangramento do processo externo ao compressor.

Assegure-se de que a máquina está a trabalhar há pressão normal e de que essa pressão normal é do conhecimento de todo o pessoal relevante.

Todo o equipamento de ar comprimido montando ou ligado à máquina tem de ter pressões de segurança de trabalho estabelecidas de pelo menos a pressão normal da máquina.

Se a uma instalação a jusante comum estiver ligado mais de um compressor, têm que de ser montadas válvulas de corte efectivo controladas por procedimentos operacionais, de maneira que uma máquina não possa acidentalmente ser pressurizada / sobrepressurizada por outra.

Ar comprimido não deve ser usado para alimentação directa a qualquer espécie de equipamento respiratório.

O ar descarregado contém uma percentagem muito pequena de lubrificante de compressor e deve ter-se cuidado para assegurar que o equipamento a jusante é compatível.

Se a descarga de ar é para ser feita dentro dum espaço fechado, deve-se assegurar uma ventilação adequada.

Quando trabalhar com ar comprimido use sempre o equipamento de protecção pessoal.

Todas as peças que contenham pressão, especialmente os tubos flexíveis e seus acoplamentos, devem ser regularmente inspeccionados, estarem sem defeitos e serem substituídos de acordo com as instruções do Manual.

O ar comprimido pode ser perigoso se utilizado incorrectamente. Antes de realizar qualquer intervenção na unidade, assegure-se que toda a pressão é libertada do sistema e que a máquina não pode ser posta em funcionamento acidentalmente.

Evite o contacto corporal com o ar comprimido.

O funcionamento de todas as válvulas de segurança posicionadas no reservatório de separação deve ser periodicamente verificado.

Não pressurize o depósito ou vasos semelhantes para além dos limites de especificação.

Não use um depósito ou um vaso semelhante que não esteja dentro das exigências de especificação do compressor. Para assistência contacte o distribuidor da sua área.

Não perfure, solde ou de outra maneira altere o depósito ou vasos semelhantes

Antes de dar assistência à unidade, descarregue a pressão antes de desligar a corrente para assegurar que o manómetro marca pressão zero.

Produtos

As seguintes substâncias são utilizadas na fabricação desta máquina e *podem* ser perigosas para a saúde se usadas incorrectamente:

- . massa de protecção
- . inibidor de ferrugem
- . refrigerante do compressor
- . refrigerante

EVITE A INGESTÃO, CONTACTO COM A PELE E INALAÇÃO DE FUMOS

Transporte

Quando carregar ou transportar a máquina assegure-se de que os meios de carga e pontos de ancoragem convenientes são utilizados.

O equipamento de içagem tem de estar devidamente classificado para o peso do compressor.

Não trabalhe ou passe por baixo do compressor quando este está suspenso.

Electricidade

Mantenha todas as partes do corpo e quaisquer ferramentas manuais ou outros objectos condutores afastados de peças com carga do sistema eléctrico. Mantenha os pés secos e sobre superfícies isoladoras e não entre em contacto com qualquer outra parte do compressor quando estiver a fazer ajustes ou reparações nas peças do sistema eléctrico com carga e expostas.

ADVERTÊNCIA

Todas as ligações e regulações eléctricas devem ser feitas por um electricista devidamente qualificado.

Feche e tranque todas as portas de acesso quando o compressor está sem vigilância.

Não use extintores destinados a incêndios da Classe A ou Classe B para incêndios eléctricos. Use somente extintores apropriados para incêndios da Classe BC ou Classe ABC.

Efectue reparações somente em áreas limpas, secas, bem iluminadas e ventiladas.

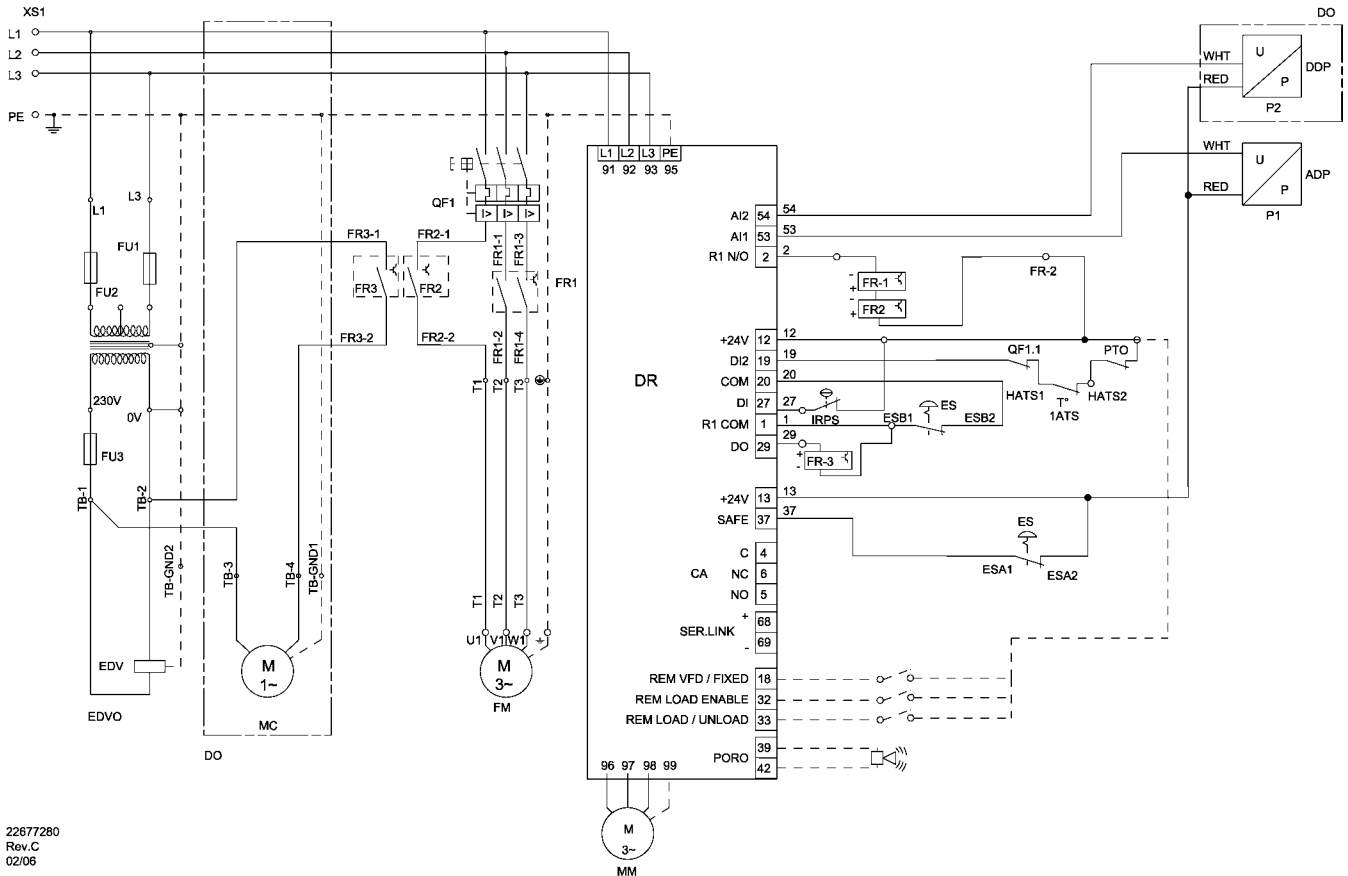
Ligue o compressor somente a sistemas eléctricos que sejam compatíveis com as suas características eléctricas e que estejam dentro da sua capacidade nominal.

Eliminação de condensado

Como os regulamentos de esgotos são diferentes em cada país e região é da responsabilidade do utilizador o conhecimento das limitações e regulamentos na sua zona em particular. Ingersoll Rand e os seus Concessionários terão muito gosto em aconselhar e ajudar sobre estes assuntos.

Para mais informação sobre o refrigerante ULTRA consulte as Folhas de Dados de Material CPN 88303979.

TN, TT, IT 3+PE. 380–460V, 50Hz/60Hz.



CHAVE

XS1	Principais terminais
QF1	Motor de arranque da ventoinha
QF1.1	Contacto auxiliar
FU3	Fusível secundário do transformador
FU1, 2	Fusíveis primários do transformador
FR1	Relé do estado sólido
FR2	Relé do estado sólido
FR3	Relé do estado sólido
EDV	Válvula de drenagem eléctrica
DR	Transmissão de velocidade variável
MM	Motor principal
FM	Motor do ventilador
MC	Motor do secador
ES	Paragem de emergência
1ATS	Interruptor de temperatura de ar elevada
1RPS	Comutador de pressão da refrigeração do ventilador
PTO	Termistor, temperatura de enrolamento do motor
P1, P2	Transdutor da pressão
EDVO	Opção da válvula de drenagem electrónica
DO	Opção do secado
CA	Alarme comum

WHT	Branco
RED	Vermelho
DDP	Pressão de descarga do secador (Opção do secador)
ADP	Pressão de descarga do refrigerante final

FIOS

POTÊNCIA	– Preto
CONTROLO CC	– Azul
NEUTRO	– Azul claro
TERRA PROTECTOR	– Verde / Amarelo

NOTAS

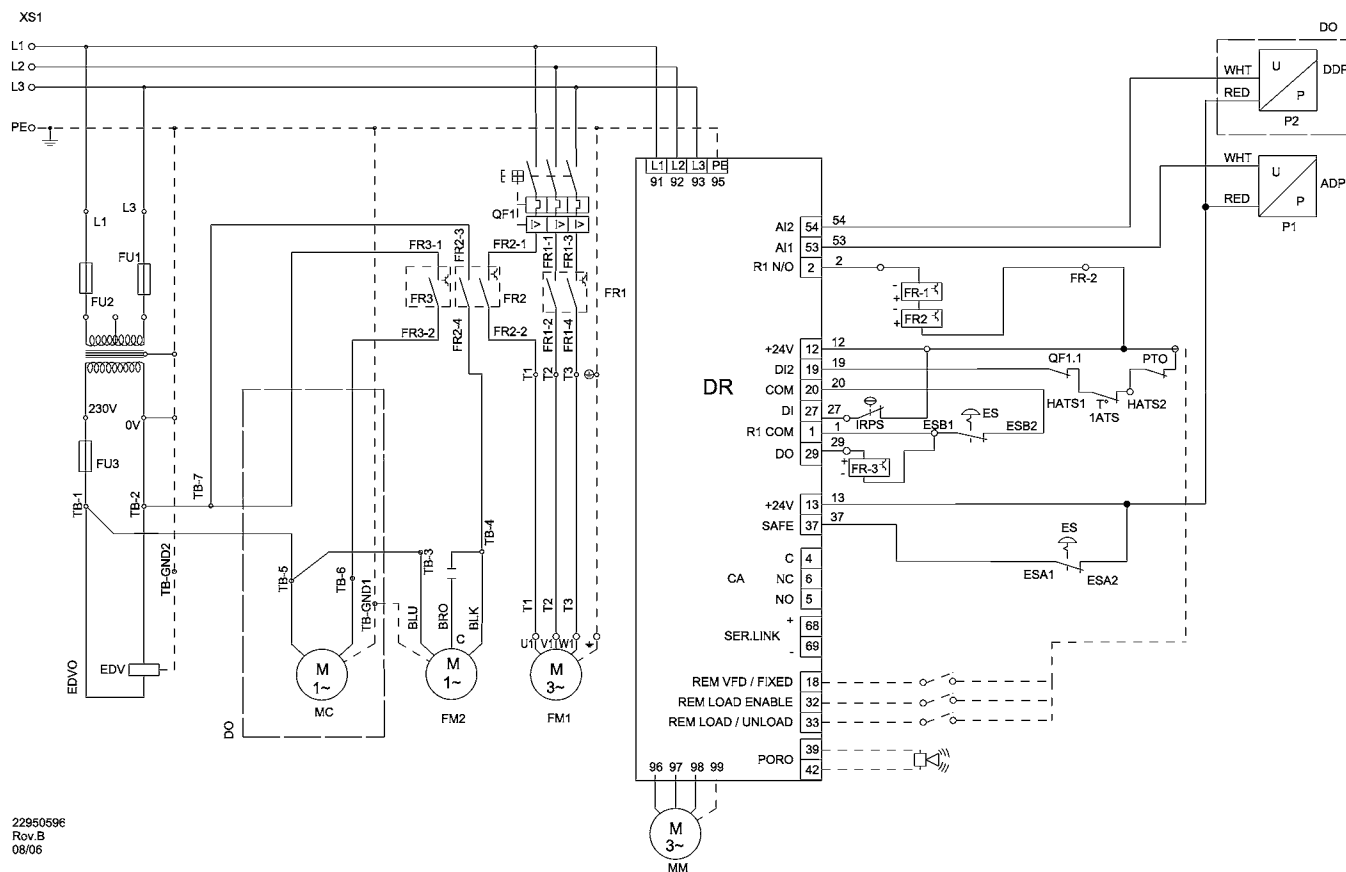
1. NO INTERRUPTOR DE CORTE OU DISJUNTOR FORNECIDO PELO CLIENTE JUNTO DO COMPRESSOR TEM DE ESTAR MONTADO UM FUSÍVEL DE ENTRADA DE LINHA DO TIPO E AMPERAGEM CORRECTOS.

DE ACÇÃO RÁPIDA, CLASSE – J, O TIPO SEMICONDUTOR, LIMITADOR DE CORRENTE, REGIME NOMINAL DE INTERRUPTOR 200.000 AMPERES SECÇÃO RMS

2. O DIMENSIONAMENTO DOS COMPONENTES ELÉCTRICOS NÃO FORNECIDOS PELA INGERSOLL RAND É DA RESPONSABILIDADE DO CLIENTE E DEVE SER FEITO DE ACORDO COM A INFORMAÇÃO NA PLACA DE DADOS DO COMPRESSOR, REGULAMENTOS ELÉCTRICOS NACIONAIS E LOCAIS.

3. O AUTOCOLANTE DEVE ESTAR EM CONFORMIDADE COM A MAIS RECENTE REVISÃO DE ESPECIFICAÇÕES DE IR 92–8.95.

TN, TT, IT 3+PE. 200–230V, 60Hz. 380–460V, 50Hz/60Hz.



22950596
Rev.B
08/06

CHAVE

- XS1** Principais terminais
- QF1** Motor de arranque da ventoinha
- QF1.1** Contacto auxiliar
- FU3** Fusível secundário do transformador
- FU1, 2** Fusíveis primários do transformador
- FR1** Relé do estado sólido
- FR2** Relé do estado sólido
- FR3** Relé do estado sólido
- EDV** Válvula de drenagem eléctrica
- DR** Transmissão de velocidade variável
- MM** Motor principal
- FM1** Motor do ventilador
- FM2** Ventilador do motor do compressor principal
- MC** Motor do secador
- ES** Paragem de emergência
- 1ATS** Interruptor de temperatura de ar elevada
- 1RPS** Comutador de pressão da refrigeração do ventilador
- PTO** Termistor, temperatura de enrolamento do motor
- P1, P2** Transdutor da pressão
- C** Condensador
- DO** Opção do secado
- DDP** Pressão de descarga do secador (Opção do secador)
- ADP** Pressão de descarga do refrigerante final
- EDVO** Opção da válvula de drenagem electrónica

- CA** Alarme comum
- BLK** Preto
- BLU** Azul
- BRO** Castanho
- WHT** Branco
- RED** Vermelho

FIOS

- POTÊNCIA – Preto
- CONTROLO CC – Azul
- NEUTRO – Azul claro
- TERRA PROTECTOR – Verde / Amarelo

NOTAS

1. NO INTERRUPTOR DE CORTE OU DISJUNTOR FORNECIDO PELO CLIENTE JUNTO DO COMPRESSOR TEM DE ESTAR MONTADO UM FUSÍVEL DE ENTRADA DE LINHA DO TIPO E AMPERAGEM CORRECTOS.

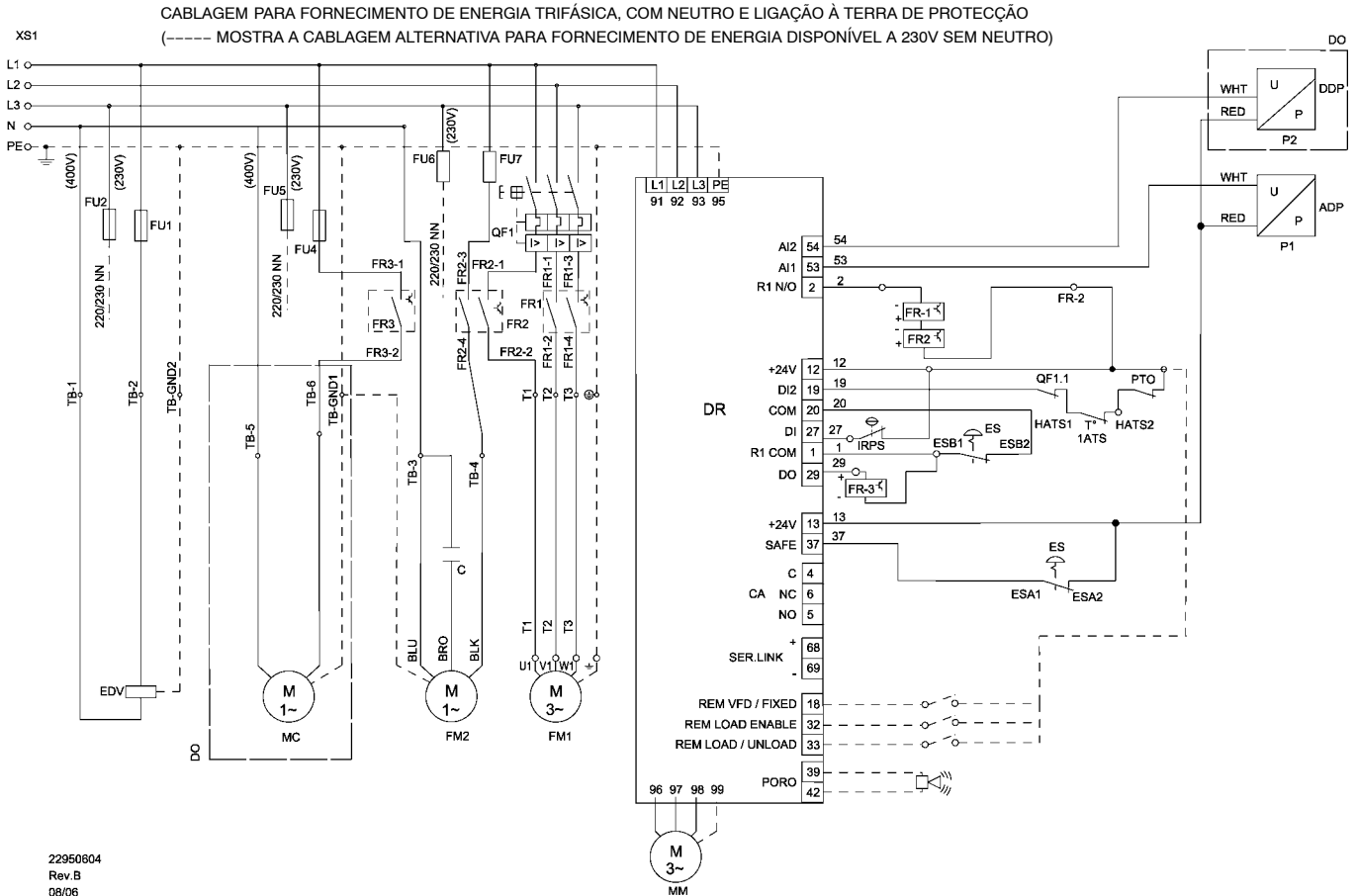
DE ACÇÃO RÁPIDA, CLASSE – J, O TIPO SEMICONDUTOR, LIMITADOR DE CORRENTE, REGIME NOMINAL DE INTERRUPTURAÇÃO 200.000 AMPERES SECÇÃO RMS

2. O DIMENSIONAMENTO DOS COMPONENTES ELÉCTRICOS NÃO FORNECIDOS PELA INGERSOLL RAND É DA RESPONSABILIDADE DO CLIENTE E DEVE SER FEITO DE ACORDO COM A INFORMAÇÃO NA PLACA DE DADOS DO COMPRESSOR, REGULAMENTOS ELÉCTRICOS NACIONAIS E LOCAIS.

3. O AUTOCOLANTE DEVE ESTAR EM CONFORMIDADE COM A MAIS RECENTE REVISÃO DE ESPECIFICAÇÕES DE IR 92–8.95.

12 INFORMAÇÃO GERAL

TN, TT, IT 3+(N)+PE. 200–230V, 380–415V, 50Hz.



CHAVE

XS1	Principais terminais	NN	Sem neutro
QF1	Motor de arranque da ventoinha	BLK	Preto
QF1.1	Contacto auxiliar	BLU	Azul
FU3	Fusível secundário do transformador	BRO	Castanho
FU1, 2	Fusíveis primários do transformador	WHT	Branco
FR1	Relé do estado sólido	RED	Vermelho
FR2	Relé do estado sólido		
FR3	Relé do estado sólido		
EDV	Válvula de drenagem eléctrica		
DR	Transmissão de velocidade variável		
MM	Motor principal		
FM1	Motor do ventilador		
FM2	Ventilador do motor do compressor principal		
MC	Motor do secador		
ES	Paragem de emergência		
1ATS	Interruptor de temperatura de ar elevada		
1RPS	Comutador de pressão da refrigeração do ventilador		
PTO	Termistor, temperatura de enrolamento do motor		
P1, P2	Transdutor da pressão		
C	Condensador		
DO	Opção do secado		
DDP	Pressão de descarga do secador (Opção do secador)		
ADP	Pressão de descarga do refrigerante final		
EDVO	Opção da válvula de drenagem electrónica		
CA	Alarme comum		

AI2	54
AI1	53
R1 NO	2
+24V	12
DI2	19
COM	20
DI	27
R1 COM	1
DO	29
+24V	13
SAFE	37
C	4
CA	6
NC	6
NO	5
SER.LINK	68
	69
REM VFD / FIXED	18
REM LOAD ENABLE	32
REM LOAD / UNLOAD	33
PORO	39
	42

FIOS

POTÊNCIA – Preto
 CONTROLO CC – Azul
 NEUTRO – Azul claro
 TERRA PROTECTOR – Verde / Amarelo

NOTAS

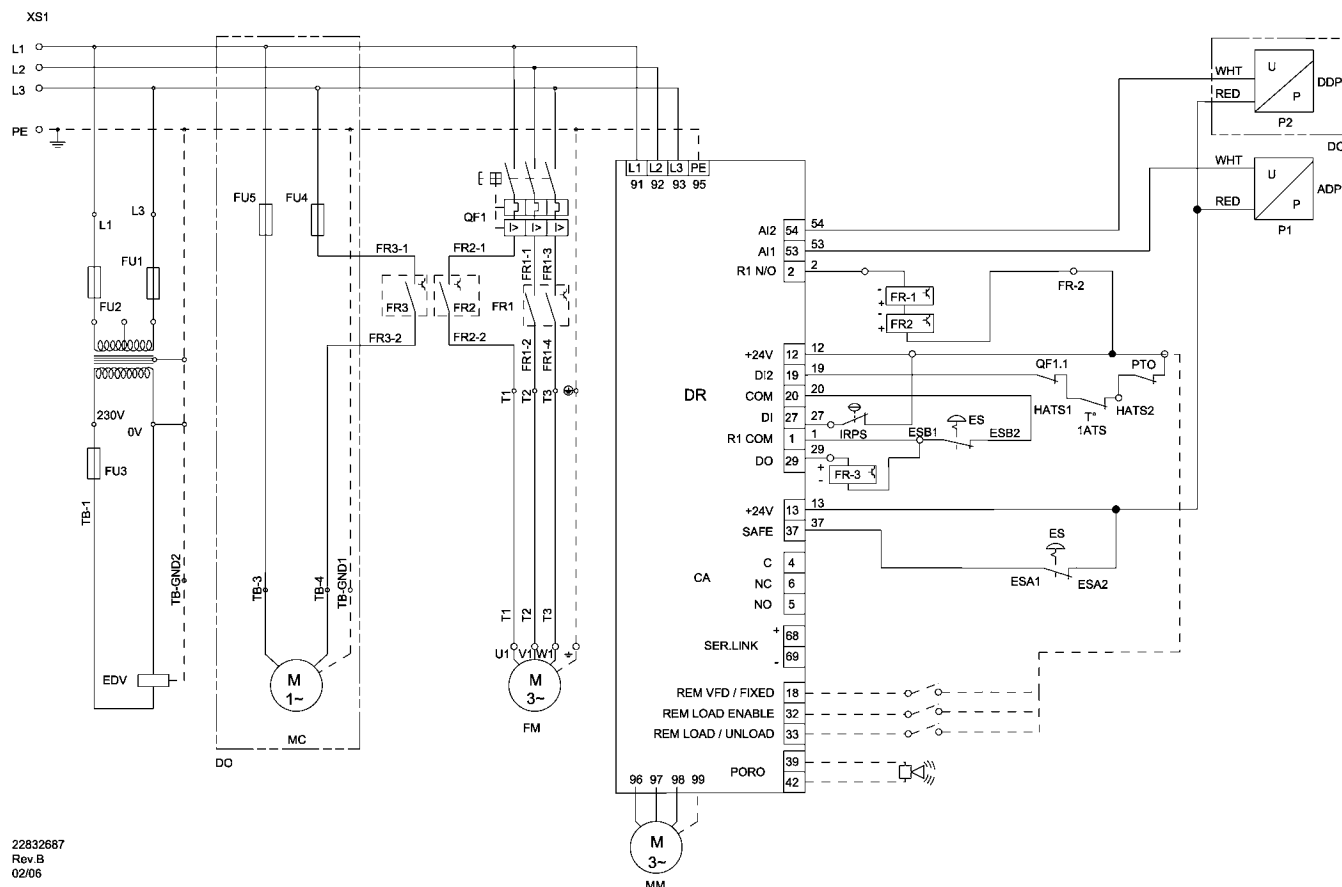
1. NO INTERRUPTOR DE CORTE OU DISJUNTOR FORNECIDO PELO CLIENTE JUNTO DO COMPRESSOR TEM DE ESTAR MONTADO UM FUSÍVEL DE ENTRADA DE LINHA DO TIPO E AMPERAGEM CORRECTOS.

DE ACÇÃO RÁPIDA, CLASSE – J, O TIPO SEMICONDUTOR, LIMITADOR DE CORRENTE, REGIME NOMINAL DE INTERRUPTÃO 200.000 AMPERES SECÇÃO RMS

2. O DIMENSIONAMENTO DOS COMPONENTES ELÉCTRICOS NÃO FORNECIDOS PELA INGERSOLL RAND É DA RESPONSABILIDADE DO CLIENTE E DEVE SER FEITO DE ACORDO COM A INFORMAÇÃO NA PLACA DE DADOS DO COMPRESSOR, REGULAMENTOS ELÉCTRICOS NACIONAIS E LOCAIS.

3. O AUTOCOLANTE DEVE ESTAR EM CONFORMIDADE COM A MAIS RECENTE REVISÃO DE ESPECIFICAÇÕES DE IR 92–8.95.

TN, TT, IT 3+PE. 200V, 60Hz.



22832687
Rev B
02/06

CHAVE

- XS1** Principais terminais
- QF1** Motor de arranque da ventoinha
- QF1.1** Contacto auxiliar
- FU3** Fusível secundário do transformador
- FU1, 2** Fusíveis primários do transformador
- FU4, 5** Fusíveis do secador
- FR1** Relé do estado sólido
- FR2** Relé do estado sólido
- FR3** Relé do estado sólido
- EDV** Válvula de drenagem eléctrica
- DR** Transmissão de velocidade variável
- MM** Motor principal
- FM** Motor do ventilador
- MC** Motor do secador
- ES** Paragem de emergência
- 1ATS** Interruptor de temperatura de ar elevada
- 1RPS** Comutador de pressão da refrigeração do ventilador
- PTO** Termistor, temperatura de enrolamento do motor
- P1, P2** Transdutor da pressão
- DO** Opção do secado
- CA** Alarme comum
- WHT** Branco

- RED** Vermelho
- DDP** Pressão de descarga do secador (Opção do secador)
- ADP** Pressão de descarga do refrigerante final

FIOS

- POTÊNCIA – Preto
- CONTROLO CC – Azul
- NEUTRO – Azul claro
- TERRA PROTECTOR – Verde / Amarelo

NOTAS

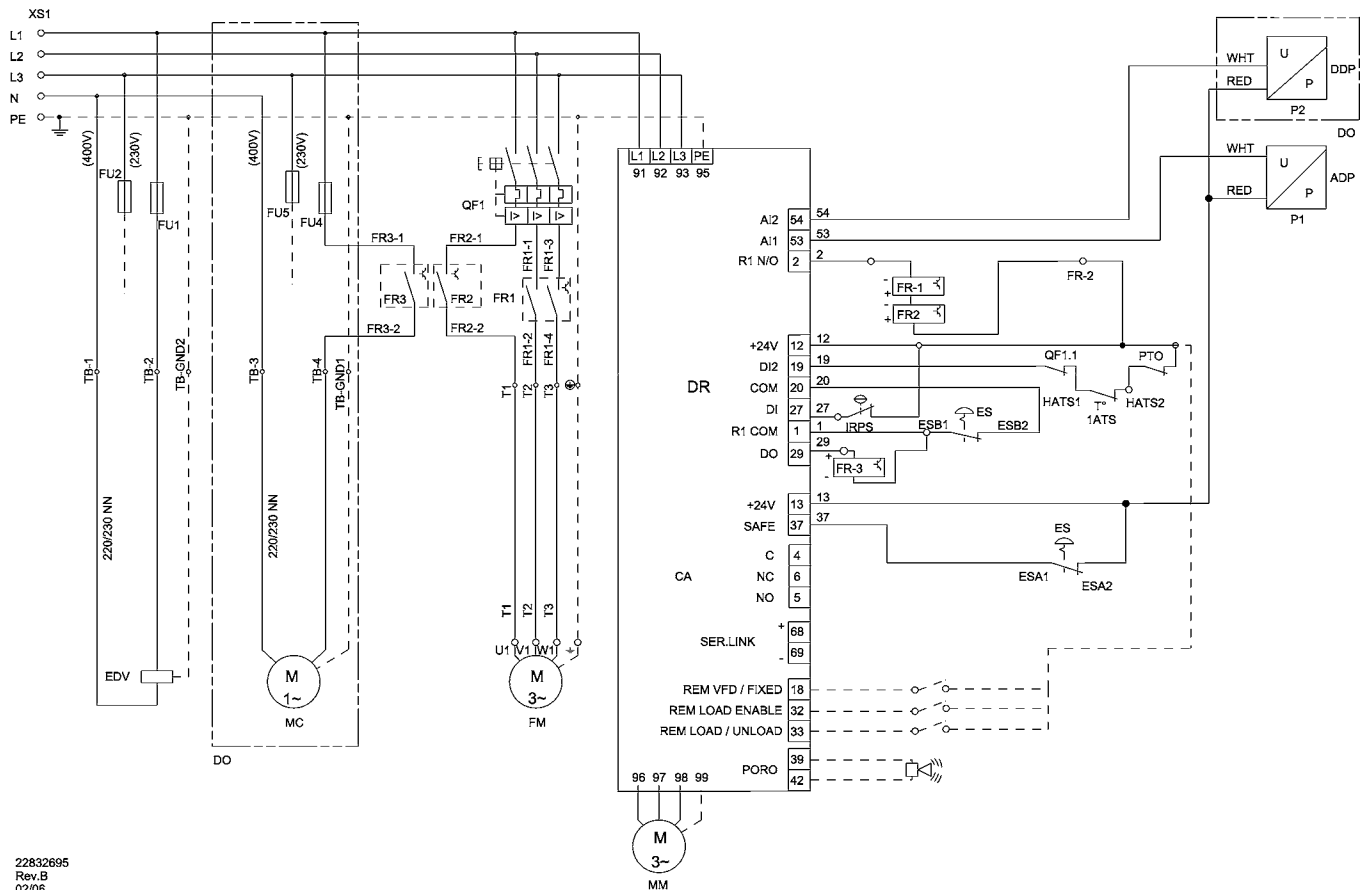
1. NO INTERRUPTOR DE CORTE OU DISJUNTOR FORNECIDO PELO CLIENTE JUNTO DO COMPRESSOR TEM DE ESTAR MONTADO UM FUSÍVEL DE ENTRADA DE LINHA DO TIPO E AMPERAGEM CORRECTOS.

DE ACÇÃO RÁPIDA, CLASSE – J, O TIPO SEMICONDUTOR, LIMITADOR DE CORRENTE, REGIME NOMINAL DE INTERRUPTÃO 200.000 AMPERES SECÇÃO RMS

2. O DIMENSIONAMENTO DOS COMPONENTES ELÉCTRICOS NÃO FORNECIDOS PELA INGERSOLL RAND É DA RESPONSABILIDADE DO CLIENTE E DEVE SER FEITO DE ACORDO COM A INFORMAÇÃO NA PLACA DE DADOS DO COMPRESSOR, REGULAMENTOS ELÉCTRICOS NACIONAIS E LOCAIS.

3. O AUTOCOLANTE DEVE ESTAR EM CONFORMIDADE COM A MAIS RECENTE REVISÃO DE ESPECIFICAÇÕES DE IR 92-8.95.

TN, TT, IT 3+PE. 220–230V, 60Hz. 380–460V, 50Hz.



22832695
Rev.B
02/06

CHAVE

Instalação eléctrica alternativa para alimentação à terra trifásica, neutra e de protecção.

XS1	Principais terminais
QF1	Motor de arranque da ventoinha
QF1.1	Contacto auxiliar
FU4, 5	Fusíveis do secador
FU1, 2	Fusíveis EDV
FR1	Relé do estado sólido
FR2	Relé do estado sólido
FR3	Relé do estado sólido
EDV	Válvula de drenagem eléctrica
DR	Transmissão de velocidade variável
MM	Motor principal
FM	Motor do ventilador
MC	Motor do secador
ES	Paragem de emergência
1ATS	Interruptor de temperatura de ar elevada
1RPS	Comutador de pressão da refrigeração do ventilador
PTO	Termistor, temperatura de enrolamento do motor
P1, P2	Transdutor da pressão
DO	Opção do secado
CA	Alarme comum
WHT	Branco

RED Vermelho

DDP Pressão de descarga do secador (Opção do secador)

ADP Pressão de descarga do refrigerante final

220/230 NN Cablagem alternativa para corrente eléctrica de 230 V sem ligação neutra disponível.

FIOS

POTÊNCIA – Preto

CONTROLO CC – Azul

NEUTRO – Azul claro

TERRA PROTECTOR – Verde / Amarelo

NOTAS

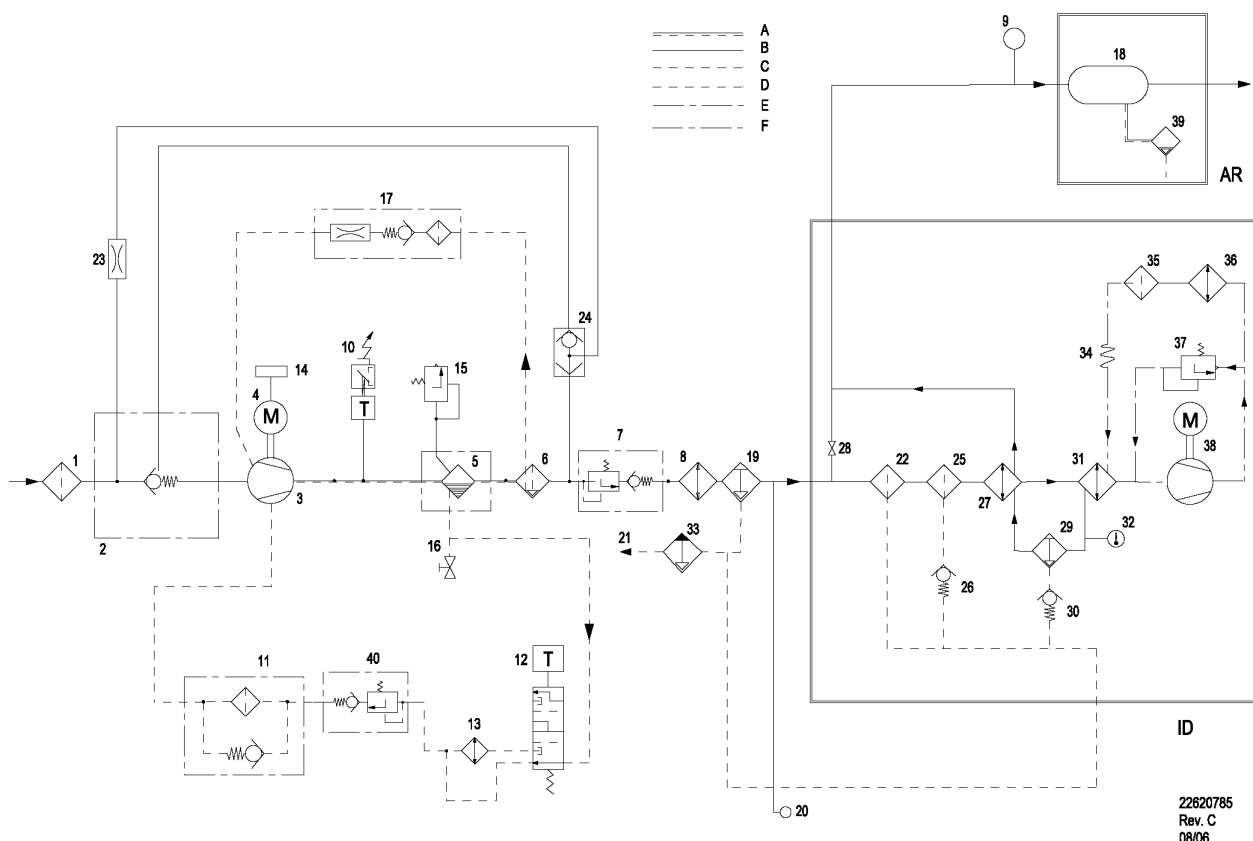
1. NO INTERRUPTOR DE CORTE OU DISJUNTOR FORNECIDO PELO CLIENTE JUNTO DO COMPRESSOR TEM DE ESTAR MONTADO UM FUSÍVEL DE ENTRADA DE LINHA DO TIPO E AMPERAGEM CORRECTOS.

DE ACÇÃO RÁPIDA, CLASSE – J, O TIPO SEMICONDUTOR, LIMITADOR DE CORRENTE, REGIME NOMINAL DE INTERRUPTÃO 200.000 AMPERES SECÇÃO RMS

2. O DIMENSIONAMENTO DOS COMPONENTES ELÉCTRICOS NÃO FORNECIDOS PELA INGERSOLL RAND É DA RESPONSABILIDADE DO CLIENTE E DEVE SER FEITO DE ACORDO COM A INFORMAÇÃO NA PLACA DE DADOS DO COMPRESSOR, REGULAMENTOS ELÉCTRICOS NACIONAIS E LOCAIS.

3. O AUTOCOLANTE DEVE ESTAR EM CONFORMIDADE COM A MAIS RECENTE REVISÃO DE ESPECIFICAÇÕES DE IR 92–8.95.

TUBAGEM E INSTRUMENTAÇÃO

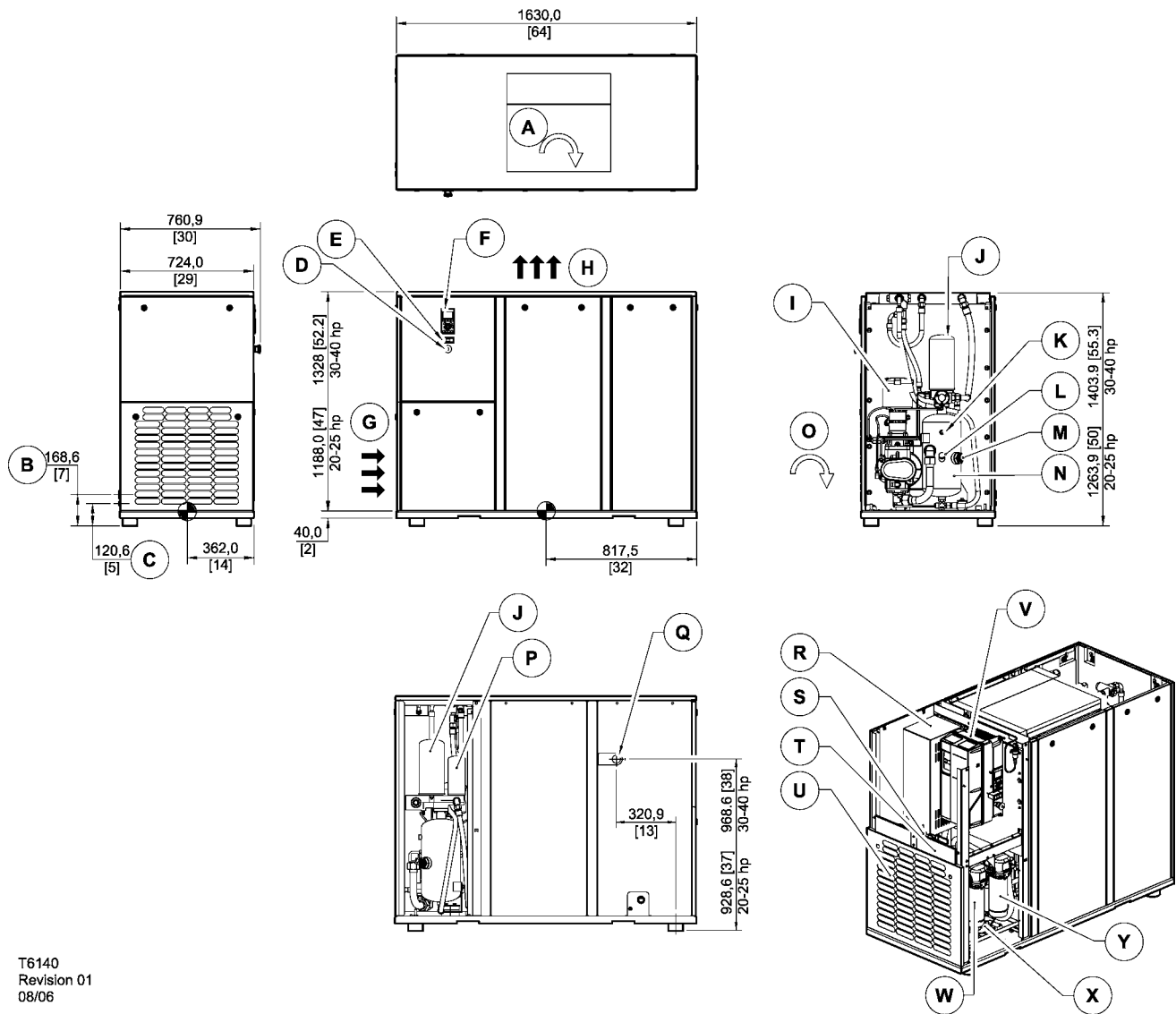


CHAVE

- AR** Depósito de ar (opcional)
- ID** Secador integral (opcional)
- 1.** Filtro de ar
- 2.** Válvula de admissão
- 3.** Compresore conjunto
- 4.** Motor
- 5.** Tanque, separador – grosso
- 6.** Separador, fino
- 7.** Válvula de pressão mínima
- 8.** Arrefecedor final
- 9.** Transdutor, pressão
- 10.** Interruptor temperatura
- 11.** Filtro, refrigerante
- 12.** Termostato
- 13.** Arrefecedor
- 14.** Controlador, accionamento
- 15.** Válvula de segurança
- 16.** Válvula de purga
- 17.** Rede do retorno
- 18.** Depósito, ar
- 19.** Separador da humidade (Opção)
- 20.** Transdutor, pressão – Linha
- 21.** Descarga condensada
- 22.** Filtro, ar – Utilização geral

- 23.** Orifício
- 24.** Válvula, purga
- 25.** Filtro, ar – Rendimento elevado
- 26.** Válvula, controlo
- 27.** Recuperador
- 28.** Válvula de fecho
- 29.** Separador de humidade
- 30.** Válvula, controlo
- 31.** Evaporador
- 32.** Indicador, ponto de condensação
- 33.** Válvula, condensados
- 34.** Válvula de expansão térmica
- 35.** Filtro, refrigerante do secador
- 36.** Condensador
- 37.** Válvula, bypass de gás quente
- 38.** Refrigerante, compressor
- 39.** Válvula, dreno automático
- 40.** Válvula de pressão mínima

- A Ar/Lubrificante
- B Ar
- C Lubrificante
- D Condensar
- E Limite de componente
- F Refrigerante



T6140
Revision 01
08/06

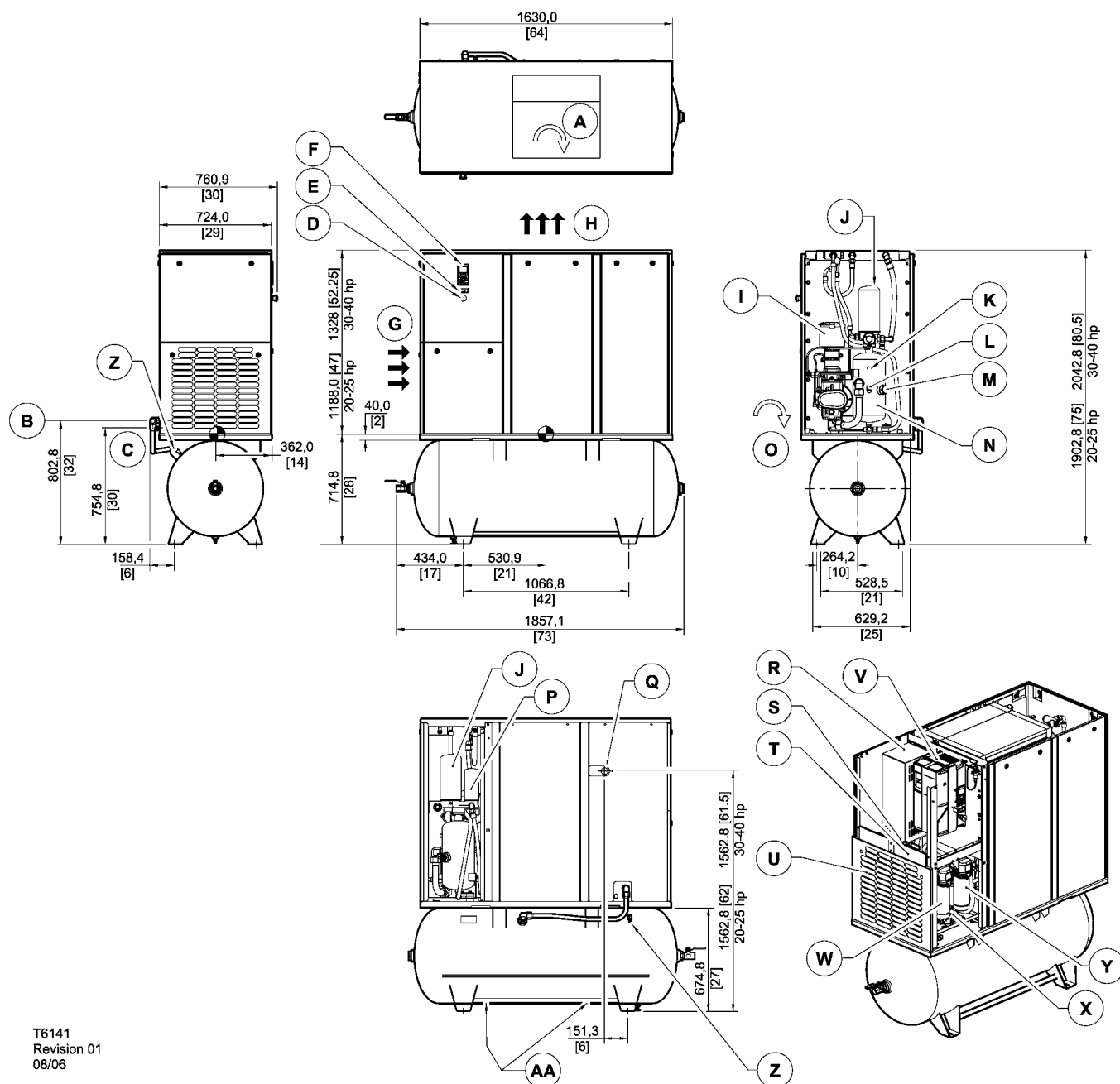
LEGENDA

20-40 HP CILINDRO 120 GALÃO

- | | | | |
|---|--|---|--|
| A | Rotação do ventilador | O | Rotação do motor da transmissão |
| B | Local de descarga do ar | P | Filtro do refrigerante |
| C | Local de drenagem | Q | Ligações da potência de entrada |
| D | Botão de paragem de emergência | R | Painel de comandos eléctricos/fusíveis |
| E | Indicador do ponto de condensação do secador | S | Válvula de derivação |
| F | Local da transmissão | T | Secador integrado (Opcional) |
| G | Entrada de ar | U | Pré-filtro da embalagem |
| H | Exaustão de ar | V | Transmissão |
| I | Filtro de entrada de ar | W | Filtro geral do secador |
| J | Elemento separador do refrigerante | X | Válvula de drenagem eléctrica |
| K | Válvula de alívio de pressão do depósito | Y | Filtro de alta eficiência do secador |
| L | Enchimento com refrigerante | | |
| M | Mostrador do nível do refrigerante | | |
| N | Tanque separador | | |



Centro de gravidade



T6141
Revision 01
08/06

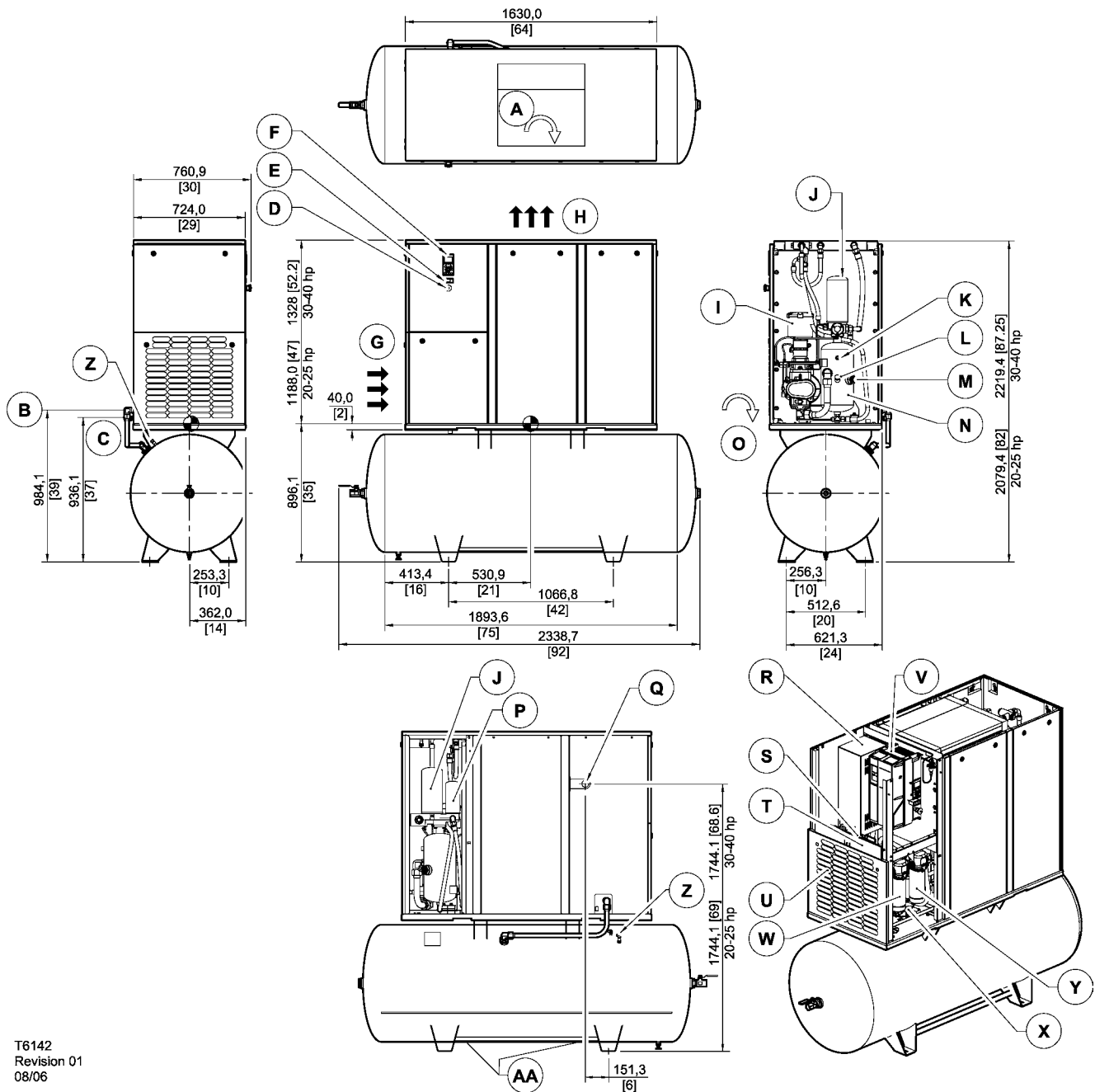
LEGENDA

20-40 HP 120 GALÃO

- | | | | |
|---|--|----|--|
| A | Rotação do ventilador | P | Filtro do refrigerante |
| B | Local de descarga do ar | Q | Ligações da potência de entrada |
| C | Local de drenagem | R | Painel de comandos eléctricos/fusíveis |
| D | Botão de paragem de emergência | S | Válvula de derivação |
| E | Indicador do ponto de condensação do secador | T | Secador integrado (Opcional) |
| F | Local da transmissão | U | Pré-filtro da embalagem |
| G | Entrada de ar | V | Transmissão |
| H | Exaustão de ar | W | Filtro geral do secador |
| I | Filtro de entrada de ar | X | Válvula de drenagem eléctrica |
| J | Elemento separador do refrigerante | Y | Filtro de alta eficiência do secador |
| K | Válvula de alívio de pressão do depósito | Z | Válvula de alívio do receptor |
| L | Enchimento com refrigerante | AA | Pontos de elevação da unidade |
| M | Mostrador do nível do refrigerante | | |
| N | Tanque separador | | |
| O | Rotação do motor da transmissão | | |



Centro de gravidade



T6142
Revision 01
08/06

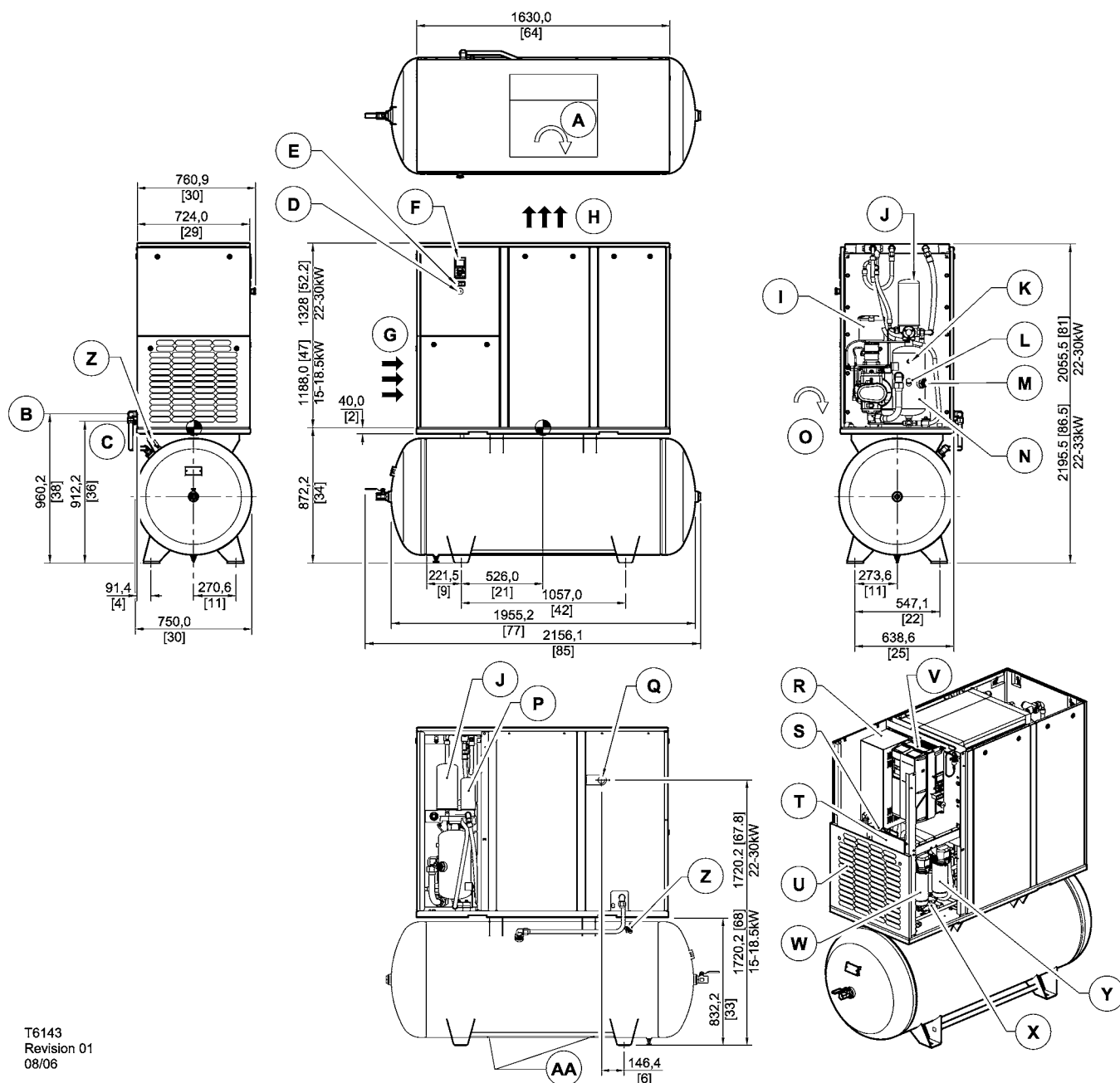
LEGENDA

20-40 HP 240 GALÃO

- | | | | |
|---|--|----|--|
| A | Rotação do ventilador | P | Filtro do refrigerante |
| B | Local de descarga do ar | Q | Ligações da potência de entrada |
| C | Local de drenagem | R | Painel de comandos eléctricos/fusíveis |
| D | Botão de paragem de emergência | S | Válvula de derivação |
| E | Indicador do ponto de condensação do secador | T | Secador integrado (Opcional) |
| F | Local da transmissão | U | Pré-filtro da embalagem |
| G | Entrada de ar | V | Transmissão |
| H | Exaustão de ar | W | Filtro geral do secador |
| I | Filtro de entrada de ar | X | Válvula de drenagem eléctrica |
| J | Elemento separador do refrigerante | Y | Filtro de alta eficiência do secador |
| K | Válvula de alívio de pressão do depósito | Z | Válvula de alívio do receptor |
| L | Enchimento com refrigerante | AA | Pontos de elevação da unidade |
| M | Mostrador do nível do refrigerante | | |
| N | Tanque separador | | |
| O | Rotação do motor da transmissão | | |



Centro de gravidade



T6143
Revision 01
08/06

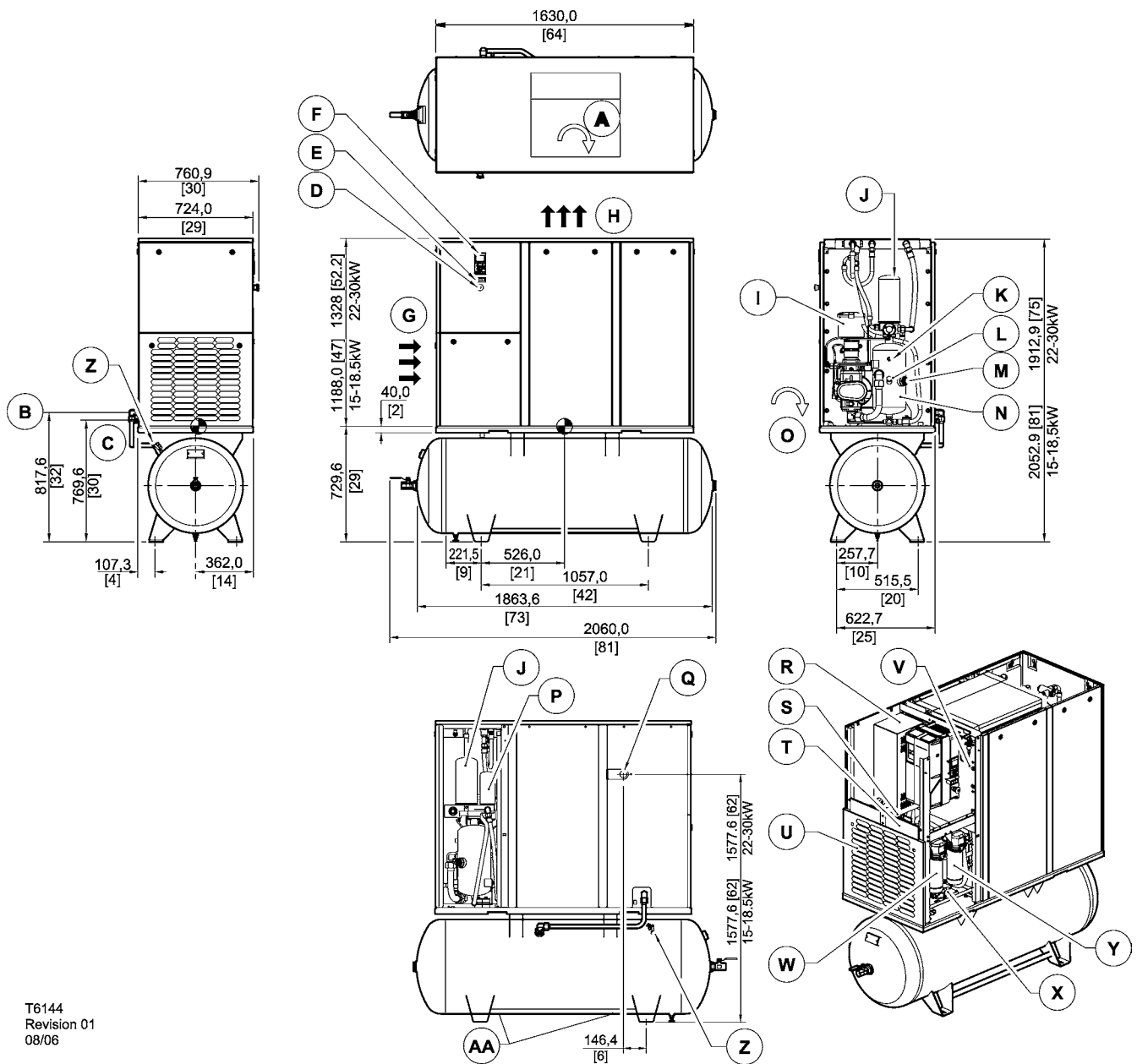
LEGENDA

15-30 KW 500 LITROS

- | | | | |
|---|--|----|--|
| A | Local de descarga do ar | P | Filtro do refrigerante |
| B | Local de drenagem | Q | Ligações da potência de entrada |
| C | Botão de paragem de emergência | R | Painel de comandos eléctricos/fusíveis |
| D | Indicador do ponto de condensação do secador | S | Válvula de derivação |
| E | Local da transmissão | T | Secador integrado (Opcional) |
| F | Entrada de ar | U | Pré-filtro da embalagem |
| G | Exaustão de ar | V | Transmissão |
| H | Filtro de entrada de ar | W | Filtro geral do secador |
| I | Elemento separador do refrigerante | X | Válvula de drenagem eléctrica |
| J | Válvula de alívio de pressão do depósito | Y | Filtro de alta eficiência do secador |
| K | Enchimento com refrigerante | Z | Válvula de alívio do receptor |
| L | Mostrador do nível do refrigerante | AA | Pontos de elevação da unidade |
| M | Tanque separador | | |
| N | Rotação do motor da transmissão | | |



Centro de gravidade



T6144
Revision 01
08/06

LEGENDA

15-30 KW 750 LITROS

- | | | | |
|---|--|----|--|
| A | Rotação do ventilador | P | Filtro do refrigerante |
| B | Local de descarga do ar | Q | Ligações da potência de entrada |
| C | Local de drenagem | R | Painel de comandos eléctricos/fusíveis |
| D | Botão de paragem de emergência | S | Válvula de derivação |
| E | Indicador do ponto de condensação do secador | T | Secador integrado (Opcional) |
| F | Local da transmissão | U | Pré-filtro da embalagem |
| G | Entrada de ar | V | Transmissão |
| H | Exaustão de ar | W | Filtro geral do secador |
| I | Filtro de entrada de ar | X | Válvula de drenagem eléctrica |
| J | Elemento separador do refrigerante | Y | Filtro de alta eficiência do secador |
| K | Válvula de alívio de pressão do depósito | Z | Válvula de alívio do receptor |
| L | Enchimento com refrigerante | AA | Pontos de elevação da unidade |
| M | Mostrador do nível do refrigerante | | |
| N | Tanque separador | | |
| O | Rotação do motor da transmissão | | |



Centro de gravidade

NOTAS

- 1 A fundação ou o chão têm de estar nivelado, e suportar os quatro pés por igual. Se for necessário, calce ou cimente o quarto pé.
- 2 Os pernos de fundação devem ficar salientes das porcas um mínimo de 13mm [0,50"] para permitir o nivelamento.
- 3 Deixe um espaço livre de 1.100 mm [42"] na parte da frente e 920 mm [36"] na parte de cima, à esquerda, à direita e na parte de trás da unidade para permitir a circulação de ar e o acesso para manutenção.
- 4 Peso aproximada da embalagem: 475 KG. (1045 LBS)

NOTA

Todas as dimensões são em milímetros (polegadas) a menos que de outra maneira indicado.

Assegure-se que são usadas as ranhuras correctas para levantador de forquilha e que são usados os pontos de levantamento marcados sempre que a máquina seja levantada ou transportada.

DESAMBALAMENTO

O compressor será normalmente entregue com uma capa de polietileno. Se for necessário usar uma faca para cortar essa capa, assegure-se que não danifica a pintura exterior do compressor.

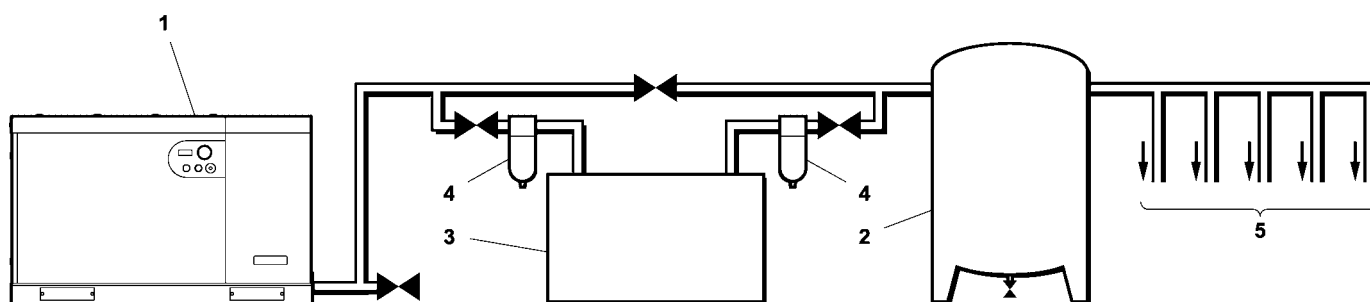
Retirar os parafusos de transporte do painel final.

Certifique-se que todos os materiais de transporte e embalagem são eliminados de acordo com o prescrito pelos regulamentos locais e nacionais.

INSTALAÇÃO DO SECADOR

Não ligue drenos de condensado comuns a outras linhas de drenagem pressurizadas em circuito fechado. Assegure-se que o fluxo de saída dos drenos de condensado não seja impedido. Ligue a tubagem de condensado de tal modo que os níveis de som sejam mantidos ao mínimo durante a drenagem. Assegure-se que todo o condensado é eliminado de modo responsável e em conformidade com as normas locais sobre a protecção do meio ambiente.

O ar ambiental em volta do secador e do compressor não pode conter contaminadores gasosos. Todos os gases comprimidos e condensados podem gerar ácidos ou produtos químicos que podem danificar o compressor ou os componentes dentro do secador. Tenha cuidado especial com ácido sulfúrico, amoníaco e cloro e com instalações em ambientes marítimos. Para mais conselhos ou assistência, consulte o seu representante local de Ingersoll Rand.



T6035
Revision 00
10/04

LEGENDA

1. Compressor
2. Reservatório de ar
3. Secador de ar
4. Filtros do ar comprimido
5. Pontos de chamada do sistema

NOTA

Os artigos [2] a [5] são opcionais ou podem já existir na instalação. Consulte o seu representante Ingersoll Rand para recomendações mais específicas.

INSTALAÇÃO

O compressor pode ser montado sobre qualquer superfície nivelada capaz de o suportar. É recomendada uma área arejada e seca onde o ambiente seja limpo. Deve deixar-se um mínimo de (3 pés) 0,90 m em toda a volta da máquina para acesso de manutenção e ventilação adequada.

Deve existir folga adequada em volta e por cima da máquina para permitir um acesso seguro para as tarefas de manutenção.

Assegure-se de que a máquina fica firmemente posicionada numa base estável. Qualquer risco de movimento deve ser anulado por meios adequados, especialmente para evitar qualquer esforço sobre tubagens de descarga.

PRECAUÇÃO

Os compressores de parafuso [1] não devem ser instalados em sistemas com compressores alternativos sem um meio de isolamento, tal como um reservatório comum. Recomenda-se que os dois tipos de compressor sejam ligados ao reservatório através de tubagens independentes.

PRECAUÇÃO

O uso de copos de plástico em filtros de linha pode ser perigoso. A sua segurança pode ser afectada pelos lubrificantes sintéticos ou pelos aditivos usados em óleos minerais. Ingersoll Rand recomenda que num sistema pressurizado só devem ser usados filtros com copos metálicos.

CUIDADO

O compressor básico ou Unidade do Circuito de Ar Total não pode trabalhar a temperaturas que possam provocar congelamento, pois a água dos condensados pode ser produzida no refrigerador e reservatório de saída sempre que estes existirem.

Consulte o seu distribuidor Ingersoll Rand para mais informações.

TUBAGEM DE DESCARGA

A tubagem de descarga deve ter pelo menos o mesmo diâmetro da ligação de saída do compressor. Toda a tubagem e acessórios devem ser adequados para a pressão de descarga.

Para assegurar um sistema eficiente e seguro é essencial rever toda a instalação de ar quando da instalação de um novo compressor. Um ponto a considerar é o arrastamento de líquidos. A instalação de secadores de ar [1] e separadores de condensados [3] é sempre aconselhável uma vez que se bem seleccionados e instalados podem reduzir a zero o arrastamento de líquidos.

Aconselha-se instalar uma válvula de isolamento junto ao compressor e montar filtros de linha [4].

Se tiver adquirido um modelo TAS, o seu conjunto compressor inclui já os artigos [1], [3] e [4].

É exigido para secadores de ar cobertos pelo Aircare que sejam montados pré e pós filtros Ingersoll Rand correctamente dimensionados.

60/50Hz	IRN 20HP/ 15 kW		IRN 25HP / 18.5 kW	
	TAS	SEM TAS	TAS	SEM TAS

COMPRESSOR				
Pressão normal PSIG (bar)	150 (10.34)		150 (10.34)	
Caudal @ 150 PSIG (10.3 bar) ACFM (m ³ /MIN) ^{1, 4}	75 (2.12)	77 (2.18)	92 (2.61)	94 (2.66)
Caudal @ 125 PSIG (8,6 bar) ACFM (m ³ /MIN) ^{2, 4}	80 (2.27)	83 (2.35)	99 (2.80)	102 (2.89)
Caudal @ 115 PSIG (8 bar) ACFM (m ³ /MIN) ^{3, 4}	84 (2.38)	87 (2.46)	105 (2.97)	108 (3.06)
Temperatura de descarga no airend	228° F (109°C) Ponto de disparo			
Temperatura ambiente de funcionamento (min.) a (max.)	35° F (+2°C) → 104° F (+40°C)			

MOTOR		
Potência nominal	20HP / 15kW	25HP / 18.5kW
Classe de isolamento	F	

SISTEMA DE ARREFECIMENTO – Arrefecido a ar				
Caudal de ar de arrefecimento	1900ft ³ /min (53.8m ³ /min)			
ΔP máxima em canalizações de ar.	0.25 inWg (6.4mmH ₂ O)			
ΔT saída de ar comprimido	N/A	15° F (8.3°C)	N/A	20° F (11°C)

DADOS GERAIS	
Volume de separação	1.8 gallons (7 Litros)
Capacidade de refrigerante	3.4 gallons (13 Litros)
Peso – unidade montada na base	1350 lbs (612 kg)
Peso – 120 galões Montada no depósito	1720 lbs (780 kg)
Peso – 240 galões Montada no depósito	1891 lbs (858 kg)
Peso – 500 Litros Montada no depósito	1772 lbs (804 kg)
Peso – 750 Litros Montada no depósito	1891 lbs (858 kg)

DADOS DE PROJECTO DO SECADOR	50 / 60Hz
Classe de protecção eléctrica (norm.)	NEMA 1 (IP 20)
Carga de refrigerante de fábrica (oz/g)	23.5 oz 667 g
Tipo de refrigeração	134 A

- 1 Presumindo uma queda da pressão de 5 psi (0.34 bar) através do módulo TAS.
- 2 Presumindo uma queda da pressão de 8 psi (0,55 bar) através do módulo TAS.
- 3 Presumindo uma queda da pressão de 9 psi (0,62 bar) através do módulo TAS.
- 4 O caudal irá diminuir à medida que a DP através do módulo TAS aumentar.

24 INSTALAÇÃO / MANUSEAMENTO

DADOS ELÉCTRICOS – TODAS AS UNIDADES UNIGY 20HP / 15kW					
Voltagem normal	Baixa Tensão		Alta Tensão		
	208V	230V	380V	400V	460V
Motor de accionamento					
Caixa do motor	IP65				
Potência	20HP / 15kW				
Corrente carga total (máxima)	58.3	52.7	31.9	30.3	26.3
Arranques por hora	20				
DADOS ELÉCTRICOS					
Voltagem de controlo	24VDC				
Amperagem máxima de fusível Veja Nota 1, 3	100A	90A	50A	50A	45A
Tamanho AWG (mm ²) mínimo do fio Veja Nota 2, 3	4 (25)	4 (25)	8 (10)	8 (10)	8 (10)

DADOS ELÉCTRICOS – TODAS AS UNIDADES UNIGY 25HP / 18.5kW					
Voltagem normal	Baixa Tensão		Alta Tensão		
	208V	230V	380V	400V	460V
Motor de accionamento					
Caixa do motor	IP65				
Potência	25HP / 18.5kW				
Corrente carga total (máxima)	73.2A	63.7A	40.2A	38.2A	33.2A
Arranques por hora	20				
DADOS ELÉCTRICOS					
Voltagem de controlo	24VDC				
Amperagem máxima de fusível Veja Nota 1, 3	125A	100A	70A	60A	50A
Tamanho AWG (mm ²) mínimo do fio Veja Nota 2, 3	3 (35)	4 (25)	6 (16)	6 (16)	8 (10)

1. No interruptor de corte ou disjuntor fornecido pelo cliente junto do compressor TEM de estar montado um fusível de entrada de linha do tipo e amperagem correctos.

Acção Rápida Classe-J, T ou tipo Semicondutor, Limitador de Corrente, Amperagem de Interrupção – 200 000 A RMS SYM.

Como alternativa pode ser usado outro fusível se as características de período da corrente forem mais rápidas que as dos fusíveis recomendados nesta Secção.

2. PVC/PVC Tipo Calculado usando as seguintes condições:

- i) Cabo isolado de PVC, blindado, condutores de cobre.
- ii) Cabo preso à parede, ao ar livre.
- iii) Temperatura ambiente de 40°C (104°F) e humidade relativa de 40%.
- iv) 20 m (65ft) de extensão de cabo.
- v) Queda de voltagem limitada a -10% durante o arranque, -4% durante o funcionamento normal.
- vi) Protegido pelo disjuntor acima referido.

3. Para o dimensionamento de cabos e fusíveis, aplique sempre os códigos eléctricos locais.

Se houver algum desvio do acima referido, ou se for aplicada regulamentação especial, a instalação deve ser projectada por um engenheiro qualificado.

NOTA:
Todos este dados dizem respeito somente a produto de série.

60/50Hz	IRN 30HP/ 22 kW		IRN 40HP / 30 kW	
	TAS	SEM TAS	TAS	SEM TAS

COMPRESSOR				
Pressão normal PSIG (bar)	150 (10.34)		150 (10.34)	
Caudal @ 150 PSIG (10.3 bar) ACFM (m ³ /MIN) ^{1, 4}	109 (3.09)	112 (3.17)	142 (4.02)	146 (4.14)
Caudal @ 125 PSIG (8,6 bar) ACFM (m ³ /MIN) ^{2, 4}	120 (3.40)	125 (3.54)	152 (4.31)	158 (4.48)
Caudal @ 115 PSIG (8 bar) ACFM (m ³ /MIN) ^{3, 4}	125 (3.54)	130 (3.68)	158 (4.48)	164 (4.65)
Temperatura de descarga no airend	228° F (109°C) Ponto de disparo			
Temperatura ambiente de funcionamento (min.) a (max.)	35° F (+2°C) → 104° F (+40°C)			

MOTOR		
Potência nominal	30HP / 22kW	40HP / 30kW
Classe de isolamento	F	

SISTEMA DE ARREFECIMENTO – Arrefecido a ar				
Caudal de ar de arrefecimento	2700ft ³ /min (76.5m ³ /min)			
ΔP máxima em canalizações de ar.	0.25 inWg (6.4mmH ₂ O)			
ΔT saída de ar comprimido	N/A	15° F (8.3°C)	N/A	20° F (11°C)

DADOS GERAIS	
Volume de separação	2.8 gallons (10.7 Litros)
Capacidade de refrigerante	5.5 gallons (21 Litros)
Peso – unidade montada na base	1350 lbs (612 kg)
Peso – 120 galões Montada no depósito	1720 lbs (780 kg)
Peso – 240 galões Montada no depósito	1891 lbs (858 kg)
Peso – 500 Litros Montada no depósito	1772 lbs (804 kg)
Peso – 750 Litros Montada no depósito	1891 lbs (858 kg)

DADOS DE PROJECTO DO SECADOR	50 / 60Hz
Classe de protecção eléctrica (norm.)	NEMA 1 (IP 20)
Carga de refrigerante de fábrica (oz/g)	45 oz 1.27 kg
Tipo de refrigeração	134 A

- 1 Presumindo uma queda da pressão de 6 psi (0.4 bar) através do módulo TAS.
- 2 Presumindo uma queda da pressão de 9 psi (0,62 bar) através do módulo TAS.
- 3 Presumindo uma queda da pressão de 10 psi (0,69 bar) através do módulo TAS.
- 4 O caudal irá diminuir à medida que a DP através do módulo TAS aumentar.

DADOS ELÉCTRICOS – TODAS AS UNIDADES UNIGY 30HP / 22kW					
Voltagem normal	Baixa Tensão		Alta Tensão		
	208V	230V	380V	400V	460V
Motor de accionamento					
Caixa do motor	IP65				
Potência	20HP / 15kW				
Corrente carga total (máxima)	91	82	50	47	41
Arranques por hora	20				
DADOS ELÉCTRICOS					
Voltagem de controlo	24VDC				
Amperagem máxima de fusível Veja Nota 1, 3	150A	125A	75A	75A	70A
Tamanho AWG (mm ²) mínimo do fio Veja Nota 2, 3	2 (32)	2 (32)	6 (16)	6 (16)	6 (16)

DADOS ELÉCTRICOS – TODAS AS UNIDADES UNIGY 40HP / 30kW					
Voltagem normal	Baixa Tensão		Alta Tensão		
	208V	230V	380V	400V	460V
Motor de accionamento					
Caixa do motor	IP65				
Potência	25HP / 18.5kW				
Corrente carga total (máxima)	122A	110A	66.5A	63A	55A
Arranques por hora	20				
DADOS ELÉCTRICOS					
Voltagem de controlo	24VDC				
Amperagem máxima de fusível Veja Nota 1, 3	200A	200A	125A	100A	80A
Tamanho AWG (mm ²) mínimo do fio Veja Nota 2, 3	2/0 (70)	2/0 (70)	4 (25)	4 (25)	4 (25)

1. No interruptor de corte ou disjuntor fornecido pelo cliente junto do compressor TEM de estar montado um fusível de entrada de linha do tipo e amperagem correctos.

Acção Rápida Classe-J, T ou tipo Semicondutor, Limitador de Corrente, Amperagem de Interrupção – 200 000 A RMS SYM.

Como alternativa pode ser usado outro fusível se as características de período da corrente forem mais rápidas que as dos fusíveis recomendados nesta Secção.

2. PVC/PVC Tipo Calculado usando as seguintes condições:

- i) Cabo isolado de PVC, blindado, condutores de cobre.
- ii) Cabo preso à parede, ao ar livre.
- iii) Temperatura ambiente de 40°C (104°F) e humidade relativa de 40%.
- iv) 20 m (65ft) de extensão de cabo.
- v) Queda de voltagem limitada a -10% durante o arranque, -4% durante o funcionamento normal.
- vi) Protegido pelo disjuntor acima referido.

3. Para o dimensionamento de cabos e fusíveis, aplique sempre os códigos eléctricos locais.

Se houver algum desvio do acima referido, ou se for aplicada regulamentação especial, a instalação deve ser projectada por um engenheiro qualificado.

NOTA:
Todos este dados dizem respeito somente a produto de série.

DADOS ELÉCTRICOS

Deve ser instalado junto do compressor um interruptor de corte ou separador independente.

Os cabos/fios de alimentação devem ser dimensionados pelo empreiteiro da parte eléctrica/cliente para assegurar que o circuito está equilibrado e não sobrecarregado por outro equipamento eléctrico.. O comprimento de cabo desde um ponto de abastecimento adequado é crítico pois as quedas de tensão podem prejudicar o rendimento do compressor.

As ligações cabos/fios de alimentação ao interruptor de corte ou separador devem estar bem apertadas e limpas.

A tensão aplicada deve ser compatível com a chapa de características do motor e do compressor.

Não use um transformador de abaixar ou elevar.

PRECAUÇÃO

Nunca ensaie a resistência de isolamento de qualquer parte dos circuitos eléctricos da máquina, incluindo o motor sem desligar totalmente o controlador electrónico (se estiver montado).

CUIDADO

Não verifique a refrigeração apenas através da direcção do fluxo de ar, deve antes certificar-se de que o ventilador roda na direcção correcta conforme indicado pelas setas indicativas de direcção.

NOTAS

e o compressor está instalado para aplicações a 208V 60Hz ou 380V 60Hz, é necessário substituir a cablagem de entrada ao primário do transformador durante a instalação.

OPÇÃO DE MODIFICAÇÃO AO AR LIVRE

Directiva da UE 2000/14/CE. Emissões sonoras devidas às máquinas de uso ao ar livre

Os conjuntos compressores standard não são adequados para o seu uso ao ar livre. Se se aplica a opção de modificação ao ar livre a uma máquina que vai ser posta em funcionamento dentro da UE, a máquina não estará destinada para o seu uso como equipamento de arrendamento, nem para ser mudada de sítio. Deve ser instalada como maquinaria fixa não destinada a ser mudada de sítio durante a sua vida operativa (por exemplo, um compressor fixo permanentemente fora de um edifício) e, por isso, fica excluída da directiva.

Esta exclusão baseia-se em que a máquina forma parte permanente de uma fábrica ou instalação, e em que lhe são aplicadas as normativas locais de regulação sonora em lugar da directiva.

FUNCIONAMENTO GERAL

O compressor é do tipo de parafuso, de um único estágio, accionado por motor eléctrico completo com acessórios interligados por tubagens, cablado e montado sobre uma base, constituindo uma unidade completa e pronta a funcionar.

O compressor normal está concebido para trabalhar num ambiente com temperaturas entre 35.6°F e 104°F (2°C e 40°C). A temperatura máxima é aplicável até uma altitude máxima de 3280 pés (1000m) acima do nível do mar. Acima desta altitude é necessária uma redução significativa na temperatura ambiente máxima permitida.

Nos compressores de parafuso, a compressão é obtida pelo engrenamento de dois rotores helicoidais (Macho e Fêmea).

A mistura de ar e refrigerante é descarregada pelo compressor no sistema de separação. Este sistema remove todo o refrigerante do ar comprimido, à excepção de alguns poucos p.p.m. O refrigerante é devolvido ao sistema de refrigeração e o ar passa através do arrefecedor final e sai para o compressor.

A ventoinha de arrefecimento move ar de arrefecimento através dos arrefecedores que é descarregado da máquina.

AVISO

Esta unidade está equipada com controlo automático do ventilador de refrigeração. O ventilador de refrigeração da unidade trabalha independentemente do conjunto compressor. O ventilador pode trabalhar quando o compressor estiver parado no modo de arranque automático ou quando o disjuntor selector de ligado-desligado estiver na posição 'desligado' (OFF) com a paragem de emergência desengatada.

PRECAUÇÃO

Na traseira da máquina é aspirado ar de refrigeração que passa pelo filtro e arrefecedor antes de ser descarregado no topo da máquina. Deve haver cuidado para se evitar bloquear o fluxo de ar, ou causar qualquer restrição excessiva de contrapressão máxima permitida para conduções de ar. Não aponte o fluxo de ar à face ou aos olhos.

A transmissão de potência desde o motor de accionamento até ao rotor macho no airend é por transmissão directa.

Pelo arrefecimento do ar comprimido muito do vapor de água, naturalmente contido no ar, é condensado e pode ser drenado, não seguindo portanto para a tubagem e equipamentos utilizadores.

O sistema de refrigeração é constituído pelo tanque, refrigerador, válvula termostática e filtro. Quando a unidade está a funcionar o refrigerante é pressurizado e empurrado para os rolamentos do compressor.

O sistema de controlo de carga do compressor inclui a **paragem e o arranque automáticos com controlo seleccionável de velocidade variável**. Isso ajuda o compressor a manter uma pressão na linha de descarga definida por variação da capacidade de saída para se adequar à potência do circuito. A unidade está equipada com um sistema de paragem e arranque automáticos que devem ser utilizados em instalações onde a necessidade de ar varia o suficiente para permitir que o compressor pare e economize energia. A capacidade significativa do circuito apoia isso, sendo recomendada.

ADVERTÊNCIA

Quando a unidade pára de trabalhar em resultado de pouca chamada de ar, ela pode rearrancar e voltar a carregar em qualquer momento.

CUIDADO

APLICAÇÕES DE BAIXA POTÊNCIA

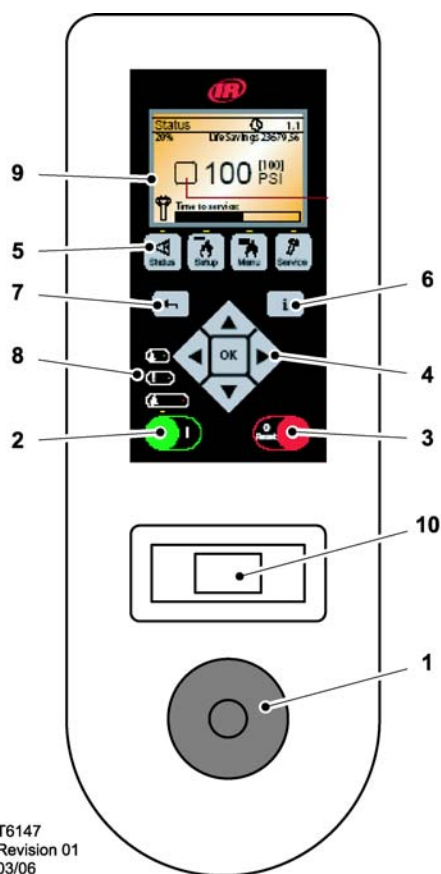
Durante os períodos de baixa potência, o compressor pode não atingir a sua temperatura de funcionamento normal. Uma operação sustentada em baixa potência pode resultar na acumulação de condensados no refrigerante. Caso esta situação ocorra, as características lubrificantes do refrigerante podem ser prejudicadas, o que causa a deterioração do compressor.

O COMPRESSOR DEVE PODER TRABALHAR COM EXCITAÇÃO AMPLA.

Está prevista segurança de funcionamento uma vez que o compressor fica cortado se houver temperaturas excessivas ou condições de sobrecarga.

PRECAUÇÃO

A unidade não está concebida ou preparada para trabalhar quando está contaminada com silicone. Não devem ser usados na unidade lubrificantes, massas ou outros itens que contenham silicone.



1. PARAGEM DE EMERGÊNCIA

O compressor pára imediatamente quando pressiona este interruptor. O compressor só pode ser ligado depois do interruptor ter sido reinicializado manualmente. Rode o interruptor no sentido dos ponteiros do relógio para o reinicializar.

Após a reinicialização, o controlo exibe uma mensagem que indica que o compressor pode ser ligado novamente.

2. TECLA DE ACTIVAÇÃO

O compressor é activado quando pressiona esta tecla.

3. TECLA DE DESACTIVAÇÃO/REINICIALIZAÇÃO

O compressor é desactivado quando pressiona esta tecla.

4. TECLAS DE NAVEGAÇÃO

Estas teclas são utilizadas para navegar através dos itens de uma lista e para alterar valores.

5. TECLAS DO ECRÃ

6. TECLA DE INFORMAÇÃO

Esta tecla fornece informação adicional para o ecrã actual, modo de operação, ou estado de alarme / aviso.

7. TECLA DE NAVEGAÇÃO ANTERIOR

Pressione esta tecla para regressar ao ecrã do Estado predefinido quando navegar entre os ecrãs. Esta tecla também é utilizada para sair dos parâmetros sem efectuar quaisquer alterações aos valores.

8. INDICADORES LED DO ESTADO

POTÊNCIA ACTIVADA: A máquina é ligada.

AVISO: Existe um problema ou um intervalo de manutenção está a abordar.

ALARME: Uma condição de alarme está presente. Durante uma situação de alarme, a máquina pára automaticamente. Depois da condição de alarme ter sido corrigida, pressione a tecla de Desactivação/Reinicialização (#3) para voltar a ligar a máquina.

9. ECRÃ DO LCD

O contraste do LCD é ajustado pressionando ininterruptamente o botão do Estado e pressionando as teclas de navegação para Cima e para Baixo.

10. INDICADOR DO PONTO DE ORVALHO (APENAS O SECADOR)

O verde indica um ponto de orvalho aceitável, o vermelho indica um ponto de orvalho acima de 10° C (50° F) e o azul indica perigo de congelamento.

ANTES DO ARRANQUE

1. Efectue uma inspecção visual à máquina, certifique-se que todas as guardas estão seguras e nada está a obstruir a ventilação adequada ou o livre acesso à máquina.
2. Verifique o nível de refrigerante. Ateste se for necessário.
3. Certifique-se que a válvula principal de descarga está aberta.
4. Ligue o interruptor de corte eléctrico ou desligue no abastecimento eléctrico. O indicador **Energia ligada** (8) acende-se, indicando que as voltagens de linha e de controlo estão presentes.
5. Verifique o sentido de ROTAÇÃO no arranque inicial ou no seguimento de uma interrupção no abastecimento eléctrico.

ADVERTÊNCIA

Certifique-se que as todas as guardas de protecção estão no lugar.

A exaustão do fluxo de ar de arrefecimento pode conter resíduos em suspensão. Para evitar ferimentos deve usar sempre Protecção de Segurança.

ACTIVAÇÃO

Pressione a tecla Activação. A máquina liga-se, e carrega-se automaticamente.

NOTA

No decurso do funcionamento normal, o ventilador funciona quando a máquina está ligada, e pode ficar a funcionar durante mais algum tempo depois da máquina ter sido desligada. Se a máquina for desligada por causa de uma condição de alarme ou uma paragem local ou remota, o ventilador desliga-se juntamente com a máquina.

AVISO:

Se a máquina se desligar automaticamente, a saída de ar, tanque separador e sistema de óleo podem conter ar a alta pressão, o qual irá sair para a atmosfera. Isto pode ser verificado desaparafusando a tampa de enchimento do líquido refrigerante, a qual possui um buraco de ventilação através do qual pode ser libertada qualquer pressão residual. A zona abaixo do tanque separador pode ainda conter pressão do sistema, a qual também tem de ser libertada.

DESACTIVAÇÃO NORMAL

Pressione a tecla de Desactivação/Reinicialização.

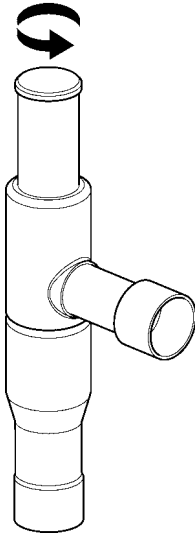
PARAGEM DE EMERGÊNCIA

1. Prima o botão **PARAGEM DE EMERGÊNCIA** (1) e o compressor e o ventilador param imediatamente. Este botão não deve ser utilizado para parar durante o funcionamento normal.
2. Desligue o interruptor de corte.

Antes de reiniciar a máquina, deve identificar e corrigir todas as avarias, e assegurar que a máquina funciona de maneira segura.

AJUSTE DO PONTO DE CONDENSAÇÃO (APENAS PARA O SECADOR)

O ponto de condensação pode ser ajustado através da derivação Hot Gas Bypass Valve (HGBV – válvula de bypass de gás quente). Para reduzir o ponto de condensação, rode a HGBV no sentido contrário ao dos ponteiros do relógio. Em condições de ambiente de 25°C (77°F) o lado de baixa pressão de 1,8 barg (26,5 psig) 15 ±% pode gerar um ponto de condensação de 3°C (37°F). A redução do lado de baixa pressão pode resultar em condições de funcionamento adversas.



ECRÃ DO ESTADO

O ecrã do Estado 1.1 é o ecrã predefinido. Navegue nos restantes ecrãs pressionando a tecla do Ecrã do Estado uma vez, e pressionando seguidamente as teclas de navegação para Cima ou para Baixo.

Ecrã do Estado 1.1

O ecrã do Estado 1.1 fornece a seguinte informação:

- Pressão de descarga 100 – pressão no ponto de descarga da embalagem do compressor.
- Pressão alvo [100] – pressão que o compressor tenta manter quando funciona no modo VFD.
- Percentagem de carga – actual velocidade do motor / velocidade máxima do motor * 100%.
- Poupanças energéticas durante a vida útil – um total cumulativo das poupanças energéticas, calculado a cada hora. Este total não pode ser reinicializado.
- Indicador da manutenção – um ecrã com um gráfico de barras indicando o valor, 0 a 100 %, utilizado para indicar continuamente a percentagem do tempo de intervalo de manutenção que ainda resta até à próxima manutenção.

- Mensagem de texto de aviso.
- Estado operacional.

i. A funcionar, ilustrado por uma seta a rodar:



ii. Desligado, ilustrado pela ausência de qualquer seta.

iii. Desligado no modo de Reinicialização automática, ilustrado pela presença de todas as setas:



iv. Programação da temporização da activação/desactivação

Ecrã do Estado 1.2

O ecrã do Estado 1.2 fornece a seguinte informação:

- Pressão de descarga 100 – pressão no ponto de descarga da embalagem do compressor.

- Pressão alvo [100] – pressão que o compressor tenta manter quando funciona no modo VFD.

- Velocidade do motor.

• Poupança energética – um total cumulativo, calculado a cada hora, que pode ser reinicializado seleccionando a opção "Reset Energy Savings" (Reinicializar as poupanças energéticas) nos Pontos de configuração do Operador. Isto é calculado de maneira semelhante ao item Poupanças energéticas durante a vida útil mas este valor acumulado pode ser reinicializado.

• Indicador da manutenção – um ecrã com um gráfico de barras indicando o valor, 0 a 100 %, utilizado para indicar continuamente a percentagem do tempo de intervalo de manutenção que ainda resta até à próxima manutenção.

- Mensagem de texto de aviso.

- Estado operacional.

i. A funcionar, ilustrado por uma seta a rodar:



ii. Desligado, ilustrado pela ausência de qualquer seta.

iii. Desligado no modo de Reinicialização automática, ilustrado pela presença de todas as setas:



iv. Programação da temporização da activação/desactivação.

Ecrã do Estado 1.3

O ecrã do Estado 1.3 fornece a seguinte informação:

- Pressão de descarga 100 – pressão no ponto de descarga da embalagem do compressor.
- Ecrã da pressão de início da sessão (Parcela XY) da Pressão de descarga e Pressão alvo vs. Tempo.
- Percentagem de carga – actual velocidade do motor / velocidade máxima do motor * 100%.

Ecrã do Estado 1.4

O ecrã do Estado 1.4 fornece a seguinte informação:

- Percentagem de carga – actual velocidade do motor / velocidade máxima do motor * 100%.
- Ecrã da percentagem de carga de início da sessão (Parcela XY) da Percentagem da carga vs. Tempo.

• Pressão de descarga 100 – pressão no ponto de descarga da embalagem do compressor.

Ecrã do Estado 1.5

O ecrã do Estado 1.5 fornece a seguinte informação:

• Contador de horas – indica o número de horas que o motor do compressor funcionou durante a sua vida útil.

- Data e hora actuais.

- Hora da activação programada.

- Tempo Programado para Parar.

- Versão de Software.

- Informação para Contacto de Serviço.

• % Carga – velocidade actual do motor / velocidade máx. do motor * 100%.

• Pressão de descarga 100 – pressão no ponto de descarga do conjunto do compressor.

ECRÃ DE CONFIGURAÇÃO

Prima o botão SETUP (CONFIGURAÇÃO) para visualizar e ajustar as definições.

Prima as setas para visualizar as definições.

- Pressão Alvo.

- Pressão de Paragem Automática.

- VFD/Modo Fixo.
- Arranque/Paragem Programada.
- Tempo de Arranque Programado.
- Tempo de Paragem Programado.
- Reposição de Poupança de Energia.

Altera um valor realçando o item e o seu valor e pressionando o botão SELECT (SELECCIONAR) para realçar somente o valor. Quando a linha de valor, se realçar por ela própria, o valor pode ser ajustado com as setas para cima e para baixo. As teclas CANCEL (CANCELAR) e SET (DEFINIR) aparecem nesta altura. Prima o botão SET para introduzir o novo valor ou prima o botão CANCEL para voltar à definição anterior. O valor mostrado acender-se-á duas vezes para indicar que foi introduzido no ponto de definição e o par de itens de pontos de definição e linhas de display de valores serão novamente realçadas em simultâneo.

Se não forem pressionadas quaisquer teclas dentro de 30 segundos, o ecrã de SETUP será abandonado sem que tenha sido efectuada qualquer alteração e o visor regressará ao Visor padrão de Estado (Status Display).

PRESSÃO ALVO

O compressor tentará trabalhar com esta pressão definida. Os campos e dimensões de etapas da pressão para cada unidade de medida são enumeradas na tabela em baixo.

Unidade	Predefinição	Mín	Máx.	Passo
PSI	115	65	150	1
BAR	8	4.5	10.3	0.1
KPa	793	45	1034	1

PRESSÃO DA DESACTIVAÇÃO AUTOMÁTICA

O compressor pára quando a pressão do sistema tiver aumentado para esta pressão e o compressor estiver a funcionar à velocidade mínima. Esta pressão de desactivação automática é uma função da pressão alvo e é indicada como a pressão de desactivação automática juntamente com um valor incremental (por exemplo, 8 psi acima da pressão alvo). As variações e dimensões dos passos da pressão de desactivação automática para cada unidade de medida encontram-se listadas na tabela a seguir.

Unidade	Predefinição	Mín	Máx.	Passo
PSI	+10	+5	+10	1
BAR	+0.7	+0.3	+0.7	0.1
KPa	+69	+34	+69	1

MODO VFD/FIXO

A unidade pode ser configurada para funcionar no modo VFD ou no modo de velocidade fixa. Quando a unidade está a funcionar no modo VFD, a unidade funciona à velocidade máxima permitida até a pressão de descarga alcançar a Pressão alvo. Depois da pressão alvo ter sido alcançada, a unidade irá regular a velocidade do compressor para manter a pressão de descarga no ponto configurado da pressão alvo. O compressor irá desligar-se se a pressão de descarga alcançar o ponto configurado da pressão para a desactivação automática. Se o compressor se desligar por este motivo, ele reinicia-se automaticamente quando a pressão do sistema descer abaixo da pressão alvo. Este modo de funcionamento é denominado "Stopped in Auto Restart" (Desactivação com reinicialização automática).

Se a unidade tiver sido configurada para funcionar no modo de Velocidade Fixa, ela irá funcionar à velocidade máxima permitida até a pressão de descarga alcançar a pressão de desactivação automática. O compressor irá desligar-se se a pressão de descarga alcançar o ponto configurado da pressão para a desactivação automática. Se o compressor se desligar por este motivo, ele reinicia-se automaticamente quando a pressão do sistema descer abaixo da pressão alvo.

O modo VFD é o modo predefinido de funcionamento.

ACTIVAÇÃO/DESACTIVAÇÃO PROGRAMADA

A activação/desactivação programa é um modo de activação/desactivação do funcionamento com base na hora actual. Uma hora de activação programada é utilizada para ligar automaticamente o compressor quando a hora actual for igual à Hora de activação programada introduzida no ponto de configuração. Uma hora de desactivação programada é utilizada para desligar automaticamente o compressor quando a hora actual for igual à Hora de desactivação programada introduzida no ponto de configuração.

HORA DE ACTIVAÇÃO PROGRAMADA

Esta é a entrada da Hora de activação programada utilizada para a Activação programada do compressor. Quando o modo de Activação/Desactivação programada se encontra activado, a hora actual é igual a esta entrada do ponto de configuração, e o compressor é ligado automaticamente se não estiver a funcionar na altura. Este ponto de configuração é ajustável pelo utilizador seleccionando a indicação da hora utilizando as teclas com setas para a Esquerda e Direita até alcançar o valor desejado utilizando as teclas com setas para Cima e para Baixo.

HORA DE DESACTIVAÇÃO PROGRAMADA

Esta é a entrada da Hora de desactivação programada utilizada para a Desactivação programada do compressor. Quando o modo de Activação/Desactivação programada se encontra activado, a hora actual é igual a esta entrada do ponto de configuração, e o compressor é desligado automaticamente se estiver a funcionar na altura. Este ponto de configuração é ajustável pelo utilizador seleccionando a indicação da hora utilizando as teclas com setas para a Esquerda e Direita até alcançar o valor desejado utilizando as teclas com setas para Cima e para Baixo.

REINICIALIZAÇÃO DAS POUANÇAS ENERGÉTICAS

Isto irá reiniciar os valores das Poupanças energéticas, e reiniciá-los a 0, e começar a calcular e memorizar novos valores a partir desse momento. Isto não irá reiniciar o ecrã do item das Poupanças energéticas durante a vida útil.

ECRÃ DO MENU

O ecrã MENU pode ser acedido pressionando a tecla MENU que se encontra por baixo do ecrã.

Através do ecrã MENU pode aceder pontos de configuração avançados adicionais da embalagem do compressor, tais como variáveis ajustáveis pelo utilizador na lógica do controlador.

O nome e valor de cada um dos pontos de configuração listados pode ser observado no ecrã movendo a lista para cima e para baixo utilizando as teclas com setas.

A lista de parâmetros do MENU é a seguinte:

- Hora configurada.
- Data configurada.
- PORO.
- Hora PORO.
- Controlo remoto.
- Modbus.
- Endereço Modbus.
- Velocidade de transmissão Modbus.
- Taxa energética.
- Unidades de medição [A-PSI, B-Bar/kPa].
- Idioma [A-Inglês, C-todas as outras].

Hora configurada

Este parâmetro é utilizado para ajustar o relógio interno para a hora certa. Este parâmetro é ajustável pelo utilizador seleccionando a indicação da hora utilizando as teclas com setas para a Esquerda e Direita até alcançar o valor desejado utilizando as teclas com setas para Cima e para Baixo.

Data configurada

Este parâmetro é utilizado para ajustar o relógio interno para a data correcta. Este parâmetro é ajustável pelo utilizador seleccionando a indicação da data utilizando as teclas com setas para a Esquerda e Direita até alcançar o valor desejado utilizando as teclas com setas para Cima e para Baixo.

PORO

Este parâmetro é utilizado para ajustar as horas PORO.

Modbus

Este parâmetro é utilizado para ligar e desligar o acesso Modbus através da porta em série.

Endereço Modbus

Este parâmetro é utilizado para ajustar o endereço Modbus para o valor desejado. Este pode ser o valor decimal ou hexadecimal.

Velocidade de transmissão Modbus

Este parâmetro é utilizado para ajustar a velocidade de transmissão Modbus. É possível seleccionar uma velocidade de transmissão desde 9600 até à velocidade de transmissão máxima no modo VFD. O tamanho dos passos dos incrementos da velocidade de transmissão padrão. (9600, 19200, 38400, etc...).

Taxa energética

Este parâmetro é a taxa energética cobrada localmente para utilização no cálculo das Poupanças energéticas. Este parâmetro é ajustável pelo utilizador seleccionando as unidades utilizando as teclas com setas para a Esquerda e Direita até alcançar o valor desejado utilizando as teclas com setas para Cima e para Baixo.

Unidades de medição

Este parâmetro é utilizado para seleccionar as unidades de pressão de engenharia desejadas, Psi, Bar, kPa. Quando as unidades de medição são alteradas, todos os ecrã exibem imediatamente os valores da pressão nas unidades recentemente seleccionadas.

Idioma

Este parâmetro é utilizado para seleccionar entre os múltiplos idiomas do ecrã integrados no aparelho.

ECRÃ DE ASSISTÊNCIA

O ecrã de Assistência só pode ser acedido por técnicos de manutenção devidamente autorizados.

ALARMES

Alarme HATS (High Air Temperature Switch – Interruptor da temperatura do ar elevada) – Ocorre sempre que a entrada digital do HATS é aberta.

P1 Avaria do sensor de calibragem – Alarme do Sensor de pressão P1 quando tenta efectuar uma Calibragem do sensor e a leitura PSI zero (0) PSI é superior a +/- 10%.

P2 Avaria do sensor de calibragem – Alarme do Sensor de pressão P2 quando tenta efectuar uma Calibragem do sensor e a leitura PSI zero (0) PSI é superior a +/- 10%.

P1 Avaria do sensor de pressão – Alarme quando as actuais leituras do sensor de pressão P1 se encontram abaixo de 3mA ou acima de 21 mA.

P2 Avaria do sensor de pressão – Alarme quando as actuais leituras do sensor de pressão P2 se encontram abaixo de 3mA ou acima de 21 mA.

Desactivação de emergência – Alarme sempre que a entrada digital da Desactivação de emergência é aberta.

Intellikey incorrecta – Alarme – Se uma Intellikey instalada não corresponder ao tamanho da transmissão.

AVISOS

Avarias VFD – Códigos de avarias da transmissão – Todas as avarias da transmissão irão exibir uma mensagem de erro comum com os códigos de erro existentes.

Secador desactivado por causa de pressão elevada – Aviso – Esta é uma condição que é detectada quando o secador está ligado, e a entrada do interruptor do Estado do secador está aberta. O compressor continua a funcionar e exibe a mensagem de aviso "Dryer Stopped High Pressure" (Secador desligado por causa da pressão elevada).

Pressão de desactivação imediata ultrapassada – Aviso – Esta é uma condição detectada quando a pressão de desactivação imediata foi ultrapassada. Esta é uma condição de aviso que irá desligar o compressor e o irá reiniciar automaticamente quando a pressão monitorizada descer abaixo da pressão alvo.

Pressão delta do secador – Aviso – Esta é uma condição detectada quando um secador é instalado e a diferença entre as leituras da Pressão antes do secador e da Pressão de descarga da embalagem ultrapassam os 20 PSI. A máquina continua a funcionar no modo da pressão da velocidade, e exibe a mensagem de aviso "High Dryer DP" (Pressão de descarga do secador elevada).

Assistência necessária em breve – A mensagem de texto de aviso "Service Soon" (Assistência necessária em breve) deve aparecer na área do ecrã dos avisos por cima do gráfico de barras quando resta um tempo de 20% ou menos de tempo de assistência, ou seja, restam menos 400 horas de funcionamento do compressor ou menos de 1752 horas de manutenção anual.

LED de aviso a piscar – Durante um aviso "Service Soon" (Assistência necessária em breve), o LED de aviso deve piscar quando restam 400 a 200 horas de funcionamento do compressor ou quando restam 1752 a 876 horas de manutenção anuais antes da assistência.

LED de aviso contínuo – Durante um aviso "Service Soon" (Assistência necessária em breve), o LED de aviso deve permanecer aceso continuamente quando restam menos de 400 horas de funcionamento do compressor ou quando restam menos de 876 horas de manutenção anuais antes da assistência.

Manutenção atrasada – A mensagem de texto de aviso "Maintenance Due" (Manutenção atrasada) deve aparecer na área do ecrã dos avisos quando o contador da manutenção chegar a zero.

PORO Ou Aviso programado – A mensagem "Compressor Start in XXX seconds" (O compressor deve ligar-se dentro de XXX segundos) no caso do aviso PORO. A mensagem "Scheduled Start in XXX seconds" (Activação programada dentro de XXX segundos) deve ser exibida no caso do aviso da activação programada. XXX é o tempo restante antes da activação de facto.

Programa de manutenção

PERÍODO	MANUTENÇÃO
Cada 24 horas de funcionamento	Verifique o nível de refrigerante, e ateste se necessário.
Inspecção visual da máquina para quaisquer fugas, acumulação de pó ou ruído anormal ou vibração	Comunique imediatamente, se houver dúvida contacte para assistência o distribuidor oficial de Ingersoll Rand
Quando o compressor está montado no depósito	Drene o condensado do depósito de ar, ou verifique se o dreno automático está a funcionar
Inspecção visual do estado do pré-filtro	Sobre-o para o limpar se for necessário
Primeiras 150 horas	Mude o filtro de refrigerante.
Mensalmente ou cada 100 horas	Remova e limpe o pré-filtro, substitua-o se for necessário Verifique se o(s) refrigerador(es) têm sujidades acumuladas. Caso seja necessário limpe-o(s) soprando-o(s) com ar ou lavando-o(s) à pressão.
Cada 4 meses	CONDENSADOR Remova toda a sujidade das alhetas do condensador. COMPRESSOR Assegure-se que o consumo de energia do compressor está de acordo com as especificações na placa de características.

PERÍODO	MANUTENÇÃO
Cada ano ou 2000 horas	Verifique o funcionamento do interruptor de protecção de temperatura do ar elevada (109 °C). Mude o filtro de refrigerante. Verifique se o orifício de retorno está bloqueado, e limpe -o se necessário. Verifique os motores com copos de lubrificação - lubrifique os rolamentos de acordo com a placa de dados de motor Substitua os elementos e os filtros IRGP e IRHE. Mude o elemento do separador. Mude o elemento do filtro de ar. Colha amostras de refrigerante para análise de fluido. Mude o pré -filtro. DRENOS DE CONDENSADO Desmonte completamente os drenos e limpe todos os seus componentes
Cada 2 anos ou 8000 horas	Substitua ao intervalo que primeiro ocorrer. Verifique e substitua todos os itens incluídos dentro das 2000 horas de funcionamento.
Cada 4 anos ou 16000 horas	Substitua o rolamento selado nos motores (Sem copos de lubrificação). Esvazie, limpe e volte a lubrificar ou substitua os rolamentos do motor no motor com copos de lubrificação Monte pontas de contacto eléctrico de substituição.

CONSERVAÇÃO DE ROTINA

Esta secção refere-se a vários componentes que necessitam manutenção periódica e substituição.

Deve ser notado que os intervalos entre serviços requeridos podem ser substancialmente reduzidos como consequência de ambientes operacional pobres. Isto inclui os efeitos de contaminação atmosférica e extremos de temperatura.

O **PLANO DE SERVIÇO / CONSERVAÇÃO** descreve os vários componentes e intervalos em que a manutenção deve ser efectuada. As quantidades de óleo, etc. podem ser obtidas na **INFORMAÇÃO GERAL** deste manual.

O ar comprimido pode ser perigoso se utilizado incorrectamente. Antes de realizar qualquer intervenção na unidade, assegure-se que toda a pressão é libertada do sistema e que a máquina não pode ser posta em funcionamento acidentalmente.

ATENÇÃO: Antes de iniciar qualquer trabalho no compressor, abra, e imobilize o interruptor eléctrico principal e coloque-lhe uma etiqueta e feche a válvula de corte na descarga do compressor. Descarregue a pressão da unidade desapertando lentamente uma volta o tampão de enchimento do refrigerante. Quando se desaperta este tampão, abre-se um orifício de ventilação que permite o alívio de pressão para a atmosfera. Não retire o tampão de enchimento até que toda a pressão tenha saído da unidade. Descarregue também a tubagem abrindo ligeiramente a válvula de drenagem. Quando abrir a válvula de drenagem ou o tampão de enchimento do refrigerante, mantenha-se afastado da válvula de drenagem e use óculos de protecção apropriados.

Assegure-se que o pessoal de manutenção está devidamente treinado, é competente e leu os Manuais de Manutenção.

Antes de iniciar qualquer trabalho de manutenção, assegure-se de que:-

- todo o ar sob pressão foi totalmente descarregado e cortado do sistema. Se a válvula automática de despejo for usada para este propósito, então dê tempo suficiente para que a operação se complete.

- a máquina não pode arrancar acidentalmente ou de outra maneira.

- todas as fontes de energia eléctrica residual (rede e baterias) estão cortadas.

Antes de remover painéis ou tampas para trabalhar no interior da máquina, assegure-se do seguinte:-

- de que quem entra na máquina está avisado do nível de protecção reduzido e do aumento de risco, incluindo superfícies quentes e peças móveis.

- a máquina não pode arrancar acidentalmente ou de outra maneira.

Antes de tentar executar qualquer trabalho numa máquina em funcionamento, assegure-se do seguinte:-

PERIGO

Somente pessoal devidamente treinado e competente deve efectuar qualquer trabalho de manutenção com o compressor a trabalhar ou com a corrente eléctrica ligada.

. o trabalho executado está limitado a tarefas que requerem que a máquina trabalhe.

. o trabalho executado com os dispositivos de protecção de segurança anulados ou retirados está limitado a tarefas que requerem que a máquina trabalhe com tais dispositivos de segurança anulados ou removidos.

. Todos os riscos presentes são conhecidos (p.e. componentes sob pressão, componentes com corrente, painéis removidos, tampas e guardas, temperaturas altas, admissão e exaustão de ar, peças com movimento intermitente, descarga de válvula de segurança etc.).

. de que é usado o equipamento de protecção adequado.

. de que são evitadas roupas folgadas, jóias, cabelos compridos etc.

. de que são usados sinais de aviso em sítios claramente visíveis indicando que se está a proceder a *Trabalhos de Manutenção*.

Depois de terminadas as tarefas de manutenção e antes de se voltar a pôr a máquina em funcionamento, assegure-se do seguinte:-

. de que a máquina foi devidamente ensaiada.

. todas as guardas e protecções de segurança estão nos lugares e a trabalharem devidamente.

. de que todos os painéis estão no lugar, e a cobertura e portas estão fechadas.

. Os materiais perigosos devem ser devidamente acondicionados e eliminados de forma a que sejam cumpridos os regulamentos de protecção ambiental locais e nacionais.

ADVERTÊNCIA

Nunca, em qualquer circunstância, abra qualquer válvula de purga ou retire componentes do compressor sem primeiro se assegurar que o compressor está TOTALMENTE PARADO, a tensão desligada e o sistema despressurizado.

Inspeccione o manómetro de pressão do secador e certifique-se de que as linhas de pressão do secador estão a zero antes da manutenção.

PROCEDIMENTO PARA ATESTAR O REFRIGERANTE

O depósito destina-se a impedir o enchimento excessivo. Com a unidade quente parada do modo normal, o nível do mostrador do nível deve estar no ponto intermédio. O nível não deve descer abaixo da base do mostrador durante o funcionamento com carga normal.

PRECAUÇÃO

Assegure-se que é usado SSR ULTRA COOLANT novo. Se assim não for a garantia dos fabricantes fica anulada.

PROCEDIMENTO PARA A MUDANÇA DE REFRIGERANTE

É preferível proceder à mudança do refrigerante logo após o compressor ter estado a funcionar, uma vez que o líquido corre mais facilmente e os contaminantes ainda estão em suspensão.

1. Pare a máquina, corte o abastecimento eléctrico e sangre toda a pressão residual.

2. Coloque uma vasilha adequada junto da válvula de drenagem.

3. Remova lentamente o tampão de enchimento/ventilação.

4. Remova o bujão da válvula de drenagem.

5. Abra a válvula de drenagem e drene o refrigerante para a vasilha.

6. Feche a válvula de drenagem.

7. Volte a colocar o bujão na válvula de drenagem.

8. Volte a encher a máquina seguindo o procedimento atrás descrito de "atestar com refrigerante". Após o enchimento inicial, para purgar as bolsas de ar, a máquina deve trabalhar durante alguns minutos antes de se verificar se o nível está correcto.

9. Ateste conforme seja necessário depois de trabalhar durante cinco minutos.

10. Volte a colocar e aperte o tampão de enchimento de óleo.

11. Elimine adequadamente o lixo.

PROCEDIMENTO PARA MUDANÇA DO FILTRO DE REFRIGERANTE

1. Pare a máquina, corte o abastecimento eléctrico e sangre toda a pressão residual.

2. Alivie o filtro com a ferramenta correcta.

3. Remova o filtro do alojamento.

4. Coloque o filtro velho num saco selado e disponha dele de forma segura.

5. Limpe a superfície de contacto do alojamento tendo cuidado para evitar que entrem quaisquer partículas para a máquina.

6. Remova da embalagem de protecção o filtro de substituição Ingersoll Rand novo.

7. Aplique um pouco de lubrificante ao vedante do filtro.

8. Enrosque o filtro novo até que o vedante toque no alojamento, depois aperte à mão mais meia volta.

9. Arranque o compressor e verifique se existem fugas.

PROCEDIMENTO PARA SUBSTITUIÇÃO DO ELEMENTO DO FILTRO DE AR

1. Pare a máquina, corte o abastecimento eléctrico e sangre toda a pressão residual.

2. Desenrosque a porca de retenção e retire o elemento velho.

3. Monte um elemento novo.

4. Volte a meter a tampa de retenção.

PROCEDIMENTO PARA SUBSTITUIÇÃO DO CARTUCHO DO SEPARADOR

1. Pare a máquina, corte o abastecimento eléctrico e sangre toda a pressão residual.

2. Alivie o cartucho do separador com a ferramenta correcta.

3. Remova o cartucho do alojamento, meta-o num saco selado e disponha dele de uma maneira segura.
4. Limpe a superfície de contacto do alojamento.
5. Remova da embalagem de protecção o cartucho de substituição Ingersoll Rand novo.
6. Aplique um pouco de lubrificante ao vedante do cartucho.
7. Enrosque o novo cartucho até que o vedante toque no alojamento, depois aperte à mão mais meia volta.
8. Ponha o compressor a trabalhar e veja se há fugas.

PRECAUÇÃO

A unidade não está concebida ou preparada para trabalhar quando está contaminada com silicone. Não devem ser usados na unidade lubrificantes, massas ou outros itens que contenham silicone.

PROCEDIMENTO DE LIMPEZA DO ARREFECEDOR

1. Pare a máquina, corte o abastecimento eléctrico e sangre toda a pressão residual.
2. Remova a tampa traseira para ter acesso ao arrefecedor.

ELECTROVÁLVULA DE DRENAGEM

DESCRIÇÃO DO PRODUTO

A electroválvula de drenagem remove água condensada e óleo do reservatório de ar. Podem ser montados drenos adicionais ao longo do seu sistema de ar comprimido, incluindo arrefecedores finais, filtros, tubagem de recolha de condensado e secadores.

A electroválvula de drenagem trabalha com um temporizador, que pode ser regulado para drenar automaticamente o reservatório de ar a intervalos estabelecidos pelo operador.

As características mais importantes são:

- Serviço contínuo a 100%
- Caixa NEMA 4
- Temporização regulável ligado (0.5 – 10 segundos)
- Temporização regulável desligado (0.5 – 45 minutos)
- Conjunto de êmbolo em aço inoxidável
- LED para indicar que a corrente está ligada
- LED para indicar que a válvula está aberta
- Dispositivo manual de cancelamento

3. Limpe o arrefecedor, sobre os resíduos para longe da unidade.
4. Volte a montar pela ordem inversa.

REGULAÇÃO DO TRANSDUTOR DE PRESSÃO (PT)

PARA VERIFICAR A PRESSÃO MÁXIMA DE DESCARGA
(Ponto superior de disparo do transdutor de pressão)

Feche lentamente a válvula de seccionamento posicionada junto do compressor. Observe o aumento de pressão e assegure-se que o transdutor de pressão se abre à pressão máxima de descarga.

A pressão de descarga máxima está indicada na placa de identificação da máquina.

NÃO exceda estes valores.

O compressor pára logo que a pressão no sistema suba até esta pressão.

PARA VERIFICAR A PRESSÃO PRETENDIDA

Observe a descida da pressão da linha e registe o ponto no qual o transdutor de pressão fecha (e provoca o arranque do compressor).

PARA AJUSTAR A PRESSÃO PRETENDIDA

Remova o painel da caixa do airend e localize o potenciómetro. Rode o botão de regulação do potenciómetro para a direita para aumentar o ponto de regulação ou para a esquerda para o baixar.

PARA CONVERTER A UNIDADE DE MODO DE VELOCIDADE VARIÁVEL PARA MODO DE VELOCIDADE CONSTANTE.

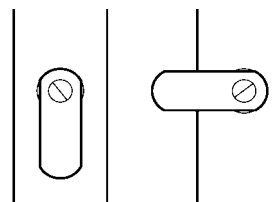
Remova o painel da caixa do airend e localize o interruptor de balanceiro. Como o interruptor tem 2 posições, simplesmente passe de uma posição para a outra para variar de modo.

OPERAÇÃO

1. Abra a válvula de esfera do filtro.

Válvula de esfera do filtro.

ABERTA FECHADA



2. Regule os botões de “tempo ligado” e “tempo desligado”. Veja REGULAÇÕES DO TEMPORIZADOR (em baixo) para uma explicação sobre as regulações.

3. Durante o funcionamento do compressor, veja se há fugas de ar.

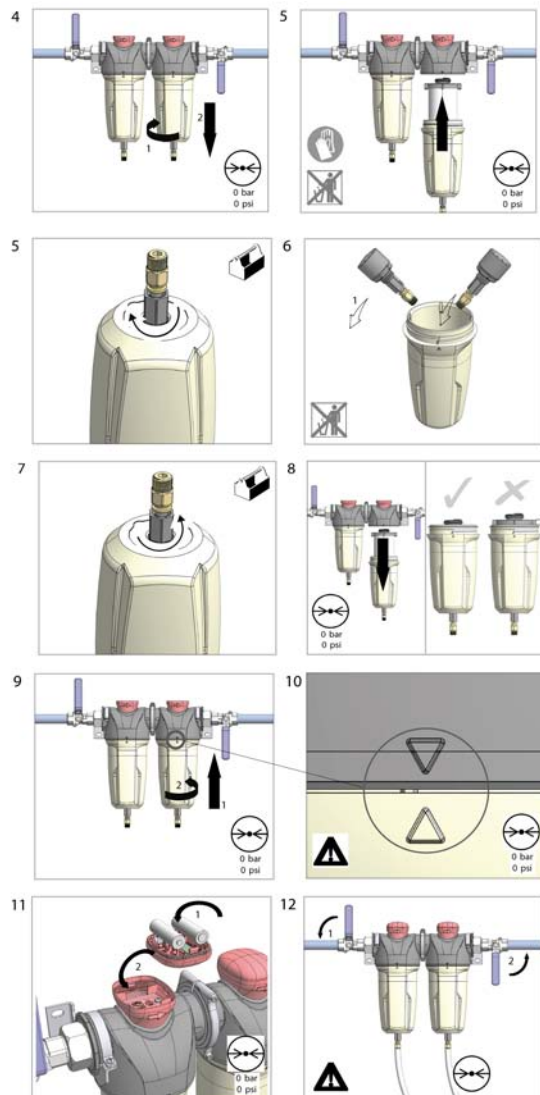
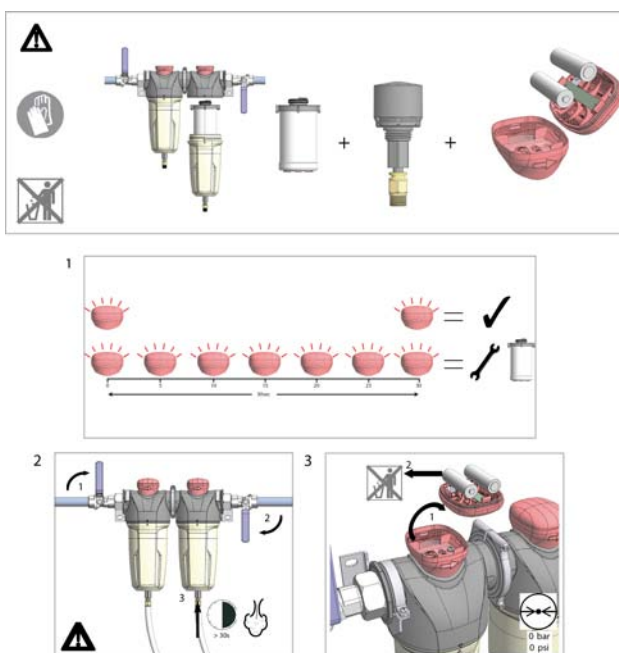
REGULAÇÕES DO TEMPORIZADOR

A regulação “tempo desligado” estabelece o intervalo entre ciclos desde 30 segundos a 45 minutos. A regulação de “tempo ligado” estabelece o tempo real em que o compressor drena condensado.

O ritmo de ciclo do temporizador e o tempo de abertura de dreno deve ser afinado para abrir só durante o tempo suficiente para descarregar o condensado. O temporizador está devidamente regulado quando abre e descarrega condensado e depois sangra ar durante aproximadamente um segundo antes de fechar. A afinação pode ser feita dependendo de muitos factores, incluindo humidade e ciclo de serviço.

MANUTENÇÃO DO FILTRO DE AR

Para assegurar ar comprimido de óptima qualidade, o elemento do filtro deve ser substituído como se segue. (Elementos de filtro usados têm de ser eliminados em conformidade com os regulamentos locais). Use somente elementos de substituição genuínas Ingersoll Rand.



DESMONTAGEM DA UNIDADE

A unidade foi concebida e construída de modo a garantir operação contínua.

A vida útil de alguns componentes tais como a ventoinha e o compressor depende de boa manutenção.

A unidade só pode ser desmontada por um especialista em refrigeração.

O líquido refrigerador, componentes de refrigeração e óleo lubrificante no interior do circuito refrigerante devem ser recuperados em conformidade com as normas actuais do país onde a máquina é instalada.

DESMONTAGEM PARA RECICLAGEM	
Armação e painéis	Aço / poliéster de resina de epoxi
Permutador de calor (arrefecedor)	Aço inoxidável
Tubos	Cobre
Isolamento	Cola sintética
Compressor	Aço / cobre / alumínio / óleo
Condensador	Alumínio
Refrigerante	R134a
Válvula	Aço

FUGAS DE REFRIGERANTE NO CIRCUITO DE REFRIGERAÇÃO

A unidade foi despachada em perfeito estado de funcionamento e já carregada.

As fugas de refrigerante podem ser identificadas disparando o protector contra sobrecargas de refrigeração.

SE FOR DETECTADA UMA FUGA NO CIRCUITO DE REFRIGERAÇÃO, PEÇA ASSISTÊNCIA TÉCNICA.

CARREGAMENTO COM REFRIGERANTE

ESTA OPERAÇÃO SÓ PODE SER EFECTUADA POR UM ESPECIALISTA EM REFRIGERAÇÃO.

QUANDO REPARA O CIRCUITO DE REFRIGERAÇÃO, RECOLHA TODO O REFRIGERANTE NUM CONTENTOR E ELIMINE-O DE MANEIRA APROPRIADA.

CARACTERÍSTICAS DO REFRIGERANTE R134A

Em condições normais de temperatura e de pressão, o refrigerante acima mencionado é um refrigerante incolor, gás classe A1/A1 com valor de concentração mínima de 1000ppm (classificação ASHRAE).

Se houver uma fuga de refrigerante, deve arejar bem o compartimento antes de começar a trabalhar.

SOLUÇÃO DE PROBLEMAS

PROBLEMA	CAUSA	ACÇÃO
A válvula de condensados de solenóide não fecha.	1. Resíduos na electroválvula impedem que o diafragma se assente.	1. Remova a electroválvula, limpe-a e volte a montá-la.
	2. Curto-circuito num componente eléctrico.	2. Inspeccione o cabo eléctrico e o temporizador substitua o que for necessário.
O temporizador do dreno não funciona.	1. Não há abastecimento de corrente.	1. Aplique corrente.
	2. Avaria do temporizador	2. Substitua o temporizador
	3. Abertura entupida.	3. Limpe a válvula.
	4. Electroválvula avariada.	4. Substitua a electroválvula.
	5. Filtro entupido.	5. Limpe o filtro.

MANUTENÇÃO

Limpe periodicamente a malha dentro da válvula para manter o dreno a funcionar à sua capacidade máxima. Para isso, dê os seguintes passos:

1. Feche completamente a válvula de esfera do filtro para o isolar do reservatório de ar.
2. Carregue no botão TEST no temporizador para descarregar a pressão remanescente na válvula. Repita até ter sido removida toda a pressão.

CUIDADO! Resíduos projectados por ar a alta pressão podem causar ferimentos. Certifique-se que a válvula de esfera do filtro está completamente fechada e a pressão é descarregada da válvula antes da limpeza.

3. Remova o bujão do filtro com uma chave apropriada. Se ouvir ar a escapar-se pela abertura de limpeza, PARE IMEDIATAMENTE, e repita os passos 1 e 2.
4. Remova a malha do filtro em aço inoxidável e limpe-a. Remova todos os resíduos que possam estar no corpo do filtro antes de voltar a colocar a malha do filtro.
5. Volte a meter o bujão e aperte-o com uma chave.
6. Quando voltar a colocar em serviço a electroválvula de drenagem, carregue no botão TEST para confirmar o seu funcionamento correcto.

AVARIA	CAUSA	SOLUÇÃO
O compressor não quer arrancar	Corrente da rede ou voltagem de controlo indisponíveis.	§ Verifique o abastecimento de corrente de entrada. § Verifique o fusível do circuito de controlo.
A máquina pára periodicamente e indica falha	Temperatura alta no airend	Ateste com refrigerante.
	Variação de tensão em linha fora da gama.	§ Certifique-se de que a tensão é a correcta entre os limites de funcionamento e que não há picos de tensão na corrente de alimentação introduzidos por equipamento externo ou pela própria alimentação eléctrica.
Chamada elevada de corrente	Compressor a trabalhar acima da pressão nominal.	Regule a pressão para o valor correcto para a máquina.
	Elemento do separador contaminado.	Substitua o filtro de ar e elemento do separador.
	Tensão baixa.	§ Assegure-se que a voltagem não cai abaixo de 10% no arranque e 6% em funcionamento.
	Tensão desequilibrada.	Corrija a voltagem de abastecimento a chegar.
	Airend danificado.	† Substitua o Airend.
	Filtro(s) de ar comprimido contaminado(s).	Substitua o(s) filtro(s).
Chamada baixa de corrente	Filtro do ar contaminado.	Substitua o filtro de ar.
	Compressor a trabalhar em vazio.	Regule a pressão para o valor correcto para a máquina.
	Alta tensão.	Reduza a voltagem do local para a voltagem operacional correcta.
Pressão de descarga elevada	Regulação incorrecta ou avaria do pressóstato.	Substitua ou regule a pressão para o valor correcto para a máquina.
	Válvula de admissão avariada.	† Monte um kit de serviço da válvula de entrada.
Pressão de ar baixa no sistema	Elemento do separador contaminado.	Monte um elemento novo do separador.
	Regulação incorrecta do transdutor de pressão	Regule a pressão para o valor correcto para a máquina.
	Válvula de pressão mínima avariada.	† Monte um kit de serviço da válvula de pressão.
	O sistema de ar tem fugas.	† Elimine as fugas.
	Válvula de admissão avariada.	† Monte um kit de serviço da válvula de entrada.
	A chamada ao sistema excede a entrega do compressor.	Reduza a chamada ou instale um compressor adicional.
Ponto de condensação elevado.	Compressor de refrigeração sem energia.	Verifique a alimentação eléctrica.
		Verifique o fusível de protecção do secador.
		Verifique o contacto auxiliar no contactor do motor principal.
	Avaria do sistema de condensados.	Verifique o funcionamento da válvula de drenagem.
		Verifique o funcionamento das válvulas de regulação de condensados.
Condensador sujo.	Limpe o condensador e substitua o elemento do filtro do painel.	
Formação de gelo no secador	Pressão baixa no evaporador	Verifique a regulação da válvula de gás quente.

NOTAS:

§ Tem de ser efectuado por um electricista competente.

† É recomendado que este trabalho seja somente efectuado por um técnico de assistência Ingersoll Rand autorizado.

AVARIA	CAUSA	SOLUÇÃO
Compressor dispara devido a temperatura alta.	O compressor está a trabalhar acima da pressão nominal.	Estabeleça a pressão nominal correcta da máquina. 1. Filtros obstruídos 2. Cartucho de separadores obstruído 3. Fluxo de ar limitado no secador
	Pré-filtro bloqueado.	Limpe / substitua cartucho do pré-filtro.
	Arrefecedor entupido.	Limpe o arrefecedor.
	Painéis da caixa incorrectamente montados ou em falta.	Assegure-se que todos os painéis da caixa estão devidamente montados.
	Nível de refrigerante baixo.	Ateste com refrigerante e veja se há fugas.
	Temperatura ambiente elevada.	Posicione o compressor noutra sítio.
	Fluxo de ar de arrefecimento limitado.	Assegure o fluxo de ar correcto ao compressor.
Consumo elevado de refrigerante	Fuga no elemento do separador.	Monte um elemento novo do separador.
	Dreno do elemento do separador bloqueado.	† Remova e limpe os acessórios.
	Compressor a trabalhar abaixo da pressão nominal.	Regule a pressão para o valor correcto para a máquina.
	Fuga no sistema de arrefecimento.	† Elimine as fugas.
Nível de ruído excessivo	O sistema de ar tem fugas.	† Elimine as fugas.
	"Airend" avariado.	† Substitua o Airend.
	Motor avariado.	† Substitua o motor.
	Componentes soltos.	† Volte a apertar os itens soltos.
Fugas no vedante do veio	Vedante do veio avariado.	† Monte um kit de vedante do Airend.
Válvula de descarga de pressão abre-se	Transdutor de pressão avariado ou incorrectamente regulado.	Substitua ou regule a pressão para o valor correcto para a máquina.
	Válvula de pressão mínima avariada.	† Monte um kit de serviço da válvula de pressão mínima.
	Válvula de admissão avariada.	† Monte um kit de serviço da válvula de entrada.
	Filtro(s) de ar comprimido contaminado(s).	Substitua o(s) filtro(s).
	Cartucho de separadores obstruído	Limpe/substitua o cartucho de separadores.
	Filtros de ar comprimido obstruídos	Limpe/substitua os filtros de ar comprimido
	Condensados congelados no secador	Inspeccione a válvula de bypass do gás quente Certifique-se de que a temperatura ambiente é superior a 2° C (35° F).

NOTAS:

§ Tem de ser efectuado por um electricista competente.

† É recomendado que este trabalho seja somente efectuado por um técnico de assistência Ingersoll Rand autorizado.

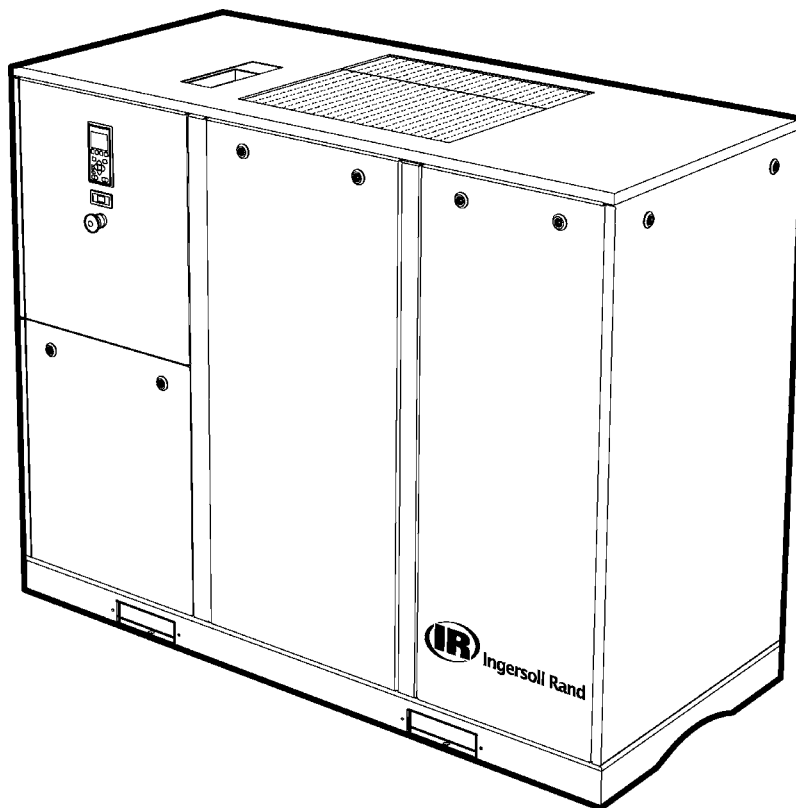


Ingersoll Rand

IRN 15 – 18.5 kW (20 – 25 HP)

IRN 22 – 30 kW (30 – 40 HP)

MANUAL DE MANEJO Y MANTENIMIENTO



Asegúrese de que el operador lea y *entienda* las pegatinas y consulte el manual antes de realizar mantenimiento u operación de la unidad.

Cerciorarse de que no se retire permanentemente de la máquina el Manual de Funcionamiento y Mantenimiento

Asegúrese que el personal de mantenimiento esta entrenado convenientemente y que han leído los Manuales de Mantenimiento.

C.C.N. : 80445364 es

REV. : A

FECHA : Octubre 2008

GRUPO DE COMPRESORES DE AIRE GARANTIA Y ARRANQUE REGISTRADO

Garantía

La Compañía garantiza que el equipo por ella fabricado será y entregado en virtud de la presente estará exento de defectos de materiales y de mano de obra durante un período de doce meses a partir de la fecha de puesta en funcionamiento o de dieciocho meses a partir de la fecha de despacho desde la fábrica, si ésta ocurriese primero.

El Comprador estará obligado a informar por escrito y con prontitud cualquier fallo de conformidad de esta garantía a la Compañía dentro del citado período, con lo cual la Compañía subsanará, a discreción propia, tal disconformidad mediante la reparación adecuada del equipo o suministrando una pieza de repuesto F.O.B. punto de embarque, siempre que el Comprador haya almacenado, instalado, mantenido y operado tal Equipo de conformidad con las nuevas prácticas de la industria y haya cumplido las recomendaciones específicas de la Compañía.

Los accesorios o el equipo suministrado por la Compañía, pero fabricado por otros, se beneficiará de cualquier garantía que los fabricantes hayan proporcionado a la Compañía y que pueda trasladarse al Comprador. La Compañía declinará toda responsabilidad acerca de cualesquiera reparaciones, recambios o ajustes realizados en el equipo y de cualesquiera costos de la mano de obra realizada por el Comprador o por otros, sin previo consentimiento por escrito de la Compañía.

Se excluyen específicamente los efectos de corrosión y el uso y desgaste normales. Las garantías de rendimiento se limitan a aquéllos que se indiquen específicamente en la propuesta de la Compañía. A menos que la responsabilidad de cumplir tales garantías de rendimiento se limite a pruebas específicas, la obligación de la Compañía será la de subsanar de la forma y durante el período de tiempo que anteriormente se indica.

LA COMPAÑÍA NO CONCEDE GARANTIA O REPRESENTACION ALGUNA DE NINGUN TIPO EN ABSOLUTO, EXPRESA O IMPLICITA, SALVO LA DEL TITULO, Y POR LA PRESENTE RENUNCIA A TODAS LAS GARANTIAS DE COMERCIABILIDAD E IDONEIDAD PARA UN PROPOSITO EN PARTICULAR.

La corrección por la Compañía de disconformidades, sean patentes o latentes, de la forma y por el período de tiempo anteriormente indicados constituirá el cumplimiento de todas las responsabilidades de la Compañía en cuanto a tales disconformidades bien sean que se basen en un contrato, negligencia de garantía, indemnización, responsabilidad estricta o de otro modo con respecto a o emanantes de tal Equipo.

El Comprador no operará el Equipo que se considere defectuoso, sin notificar previamente por escrito a la Compañía su intención de realizar esto. Cualquier utilización tal del Equipo se llevará a cabo bajo el riesgo y responsabilidad exclusivos del Comprador.

Obsérvese que ésta es la garantía normal de Ingersoll Rand. Toda garantía en vigor en el momento de la compra del compresor o negociada como parte del pedido de compra puede tener prioridad sobre esta garantía.

Para registrarse en línea, entrar en <http://air.ingersollrand.com>

Ingersoll Rand
Industrial Air Solutions
Swan Lane
Hindley Green
Wigan WN2 4EZ

Ingersoll Rand Asia Pacific
C/O Ingersoll Rand South East Asia (Pte) Ltd.
42 Benoi Road
Singapore 629903

Ingersoll Rand
Industrial Air Solutions
P.O. Box 1840
800-D Beaty Street
Davidson, NC 28036



CONTENIDO		ABREVIATURAS Y SIMBOLOS	
1	CONTENIDO	####	Para el número de serie, sirvanse contactar con Ingersoll Rand
2	PREAMBULO	->####	Hasta serie nº
		####->	Desde serie nº
3	CALCOMANIAS	*	No dibujado
		†	Opcion
9	SEGURIDAD	NR	No necesario
		AR	Según se necesite
		SM	Sitemaster/Sitepack
11	INFORMACION GENERAL	HA	Máquina para ambiente severo
		WC	Máquina refrigerada por agua
		AC	Máquina refrigerada por aire
17	INSTALACIÓN / MANEJO	ERS	Sistema de recuperación de energía
29	INSTRUCCIONES DE OPERACION	T.E.F.C.	Motor totalmente blindado refrigerado por aire (IP54)
34	MANTENIMIENTO	O.D.P.	(motor) Abierto a prueba de goteo
		ppm	partes por millón
39	RESOLUCION DE AVERIAS		

2 PREAMBULO

El contenido de este manual es propiedad y material confidencial de Ingersoll Rand y no puede reproducirse sin el consentimiento previo por escrito de Ingersoll Rand.

Ninguna parte de lo contenido en este documento puede entenderse como promesa, garantía o representación, implícita o explícita, respecto a los productos Ingersoll Rand que en él se describen. Tales garantías u otros términos y condiciones de venta de los productos deberán estar de acuerdo con los términos y condiciones estándar de venta para tales productos, que están a disposición de los clientes si lo solicitan.

Este manual contiene instrucciones y datos técnicos para todas las operaciones de empleo normales y de mantenimiento rutinario. Las reparaciones mayores no están comprendidas en este manual y deben encomendarse o consultarse a un concesionario de servicio autorizado Ingersoll Rand.

El diseño de esta máquina se ha certificado que satisface directrices de la Comunidad Europea. Cualquier modificación de la máquina o parte alguna sería inadmisibles, e invalidaría la certificación y las marcas designatorias de directrices de la C.E.

Todos los componentes, accesorios, tuberías y conectores incorporados al sistema de aire comprimido, deberán ser:

- . de buena calidad, adquiridos a un fabricante de buena reputación y, en lo posible, de un tipo aprobado por Ingersoll Rand
- . claramente de un régimen adecuado para una presión igual, como mínimo, a la máxima presión de trabajo permisible de la máquina compatibles con el lubricante/ refrigerante del compresor
- . acompañados de instrucciones para que su instalación, funcionamiento y mantenimiento se lleven a cabo con seguridad.

Los departamentos de Servicio de Ingersoll Rand puede facilitar detalles de los equipos aprobados.

El empleo de piezas para reparaciones no genuinas y distintas a las incluidas en las listas de piezas aprobadas por Ingersoll Rand, puede originar condiciones de riesgo sobre las que Ingersoll Rand no tiene control alguno. Por consiguiente, Ingersoll Rand declina toda responsabilidad acerca de equipos en los que no se instalen piezas aprobadas. Pueden verse afectadas las condiciones generales de garantía.

Ingersoll Rand se reserva el derecho a realizar cambios y mejoras de los productos sin previo aviso y sin incurrir en ningún tipo de obligación a realizar tales cambios o añadir tales mejoras en aquellos productos que se hayan vendido previamente.

Los usos para lo que esta diseñada esta máquina estan subrayados abajo y también se dan algunos ejemplos de uso incorrecto, sin embargo Ingersoll Rand no se ouede anticipar a cada aplicación o situación de trabajo que pueda ocurrir.

SI TIENE DUDAS CONSULTE AL SUPERVISOR.

Esta máquina se ha concebido y suministrado para su utilización únicamente bajo las condiciones y en las aplicaciones especificadas a continuación:

- . Compresión de aire de ambiente normal sin gases, vapores o partículas adicionales conocidos o detectables.
- . Funcionamiento dentro de la gama de temperatura ambiente especificada en la sección *INFORMACION GENERAL* de este manual.

Uso de la máquina en cualquiera de las siguientes situaciones:-

- a) **No esta aprobado por Ingersoll Rand.**
- b) **Puede perjudicar la seguridad de los usuarios y otras personas, y**
- c) **Puede perjudicar cualquier reclamacion hacha contra Ingersoll Rand.**

TABLA 1

Uso de la máquina para producir aire comprimido para:

- a) consumo humano directo
- b) consumo humano indirecto, sin el correspondiente filtrado y purificado.

Uso de la máquina fuera del rango de temperatura ambiente especificado en la sección de *INFORMACION GENERAL* de este manual.

Uso de la máquina donde haya riesgo real o potencial de niveles peligrosos de gases o vapores inflamables.

ESTA MÁQUINA NI SE HA DESTINADO NI DEBE UTILIZARSE EN AMBIENTES POTENCIALMENTE EXPLOSIVOS, INCLUIDAS LAS SITUACIONES EN LAS QUE SE HALLEN PRESENTAS GASES O VAPORES INFLAMABLES.

Uso de la máquina con *componentes no aprobados por Ingersoll Rand.*

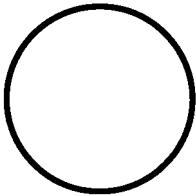
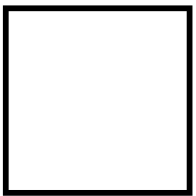




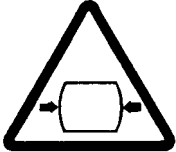



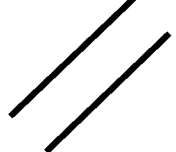

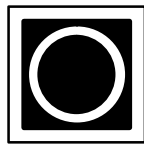

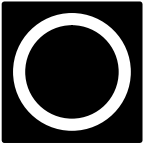

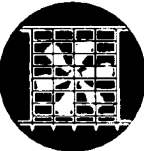

Uso de la máquina con componentes de seguridad o de control perdidos o averiados.

La compañía no acepta responsabilidades por errores en la traducción de la versión original en Inglés.

© COPYRIGHT 2008
INGERSOLL RAND COMPANY LIMITED

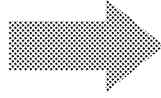
SIMBOLOS ISO

FORMA GRAFICA Y SIGNIFICADO DE LOS SIMBOLOS ISO

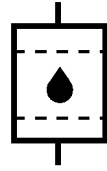
 <p>Prohibición/Obligatoriedad</p>	 <p>Información/Instrucciones</p>	 <p>Advertencia</p>
 <p>ADVERTENCIA – Riesgo de descarga eléctrica.</p>	 <p>ADVERTENCIA – Recipiente presurizado.</p>	 <p>ADVERTENCIA – Superficie caliente.</p>
 <p>ADVERTENCIA – Sistema o componente presurizado.</p>	 <p>ADVERTENCIA – Caudal de aire/gas – o descarga de aire.</p>	 <p>No respirar el aire comprimido de esta unidad.</p>
 <p>Utilizar la carretilla elevadora en esta lado.</p>	 <p>REPOSICIONAR</p>	 <p>No utilizar la carretilla elevadora en esta lado.</p>
 <p>Parada de emergencia.</p>	 <p>Encendido (energía)</p>	 <p>Apagado (energía).</p>
 <p>Antes de operar o llevar a cabo ningún mantenimiento, leer el manual de operación y mantenimiento de esta máquina.</p>	 <p>No operar la máquina sin que la protección este fijada.</p>	 <p>Punto de elevación.</p>



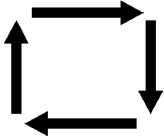
ROTACION



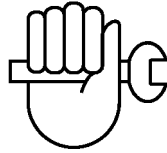
DESCARGA DE AIRE



FILTRO DEL REFRIGERANTE



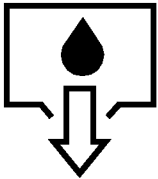
REARRANQUE AUTOMATICO



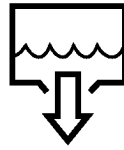
MANTENIMIENTO



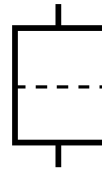
MANUTENZIONE PROIBITA



CONDUCTO DE VACIADO DEL REFRIGERANTE



CONDUCTO DE VACIADO DEL CONDENSADO



FILTRO



FRAGIL



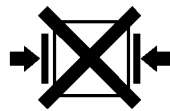
MANTENER SECO



COLOCAR EN ESTA POSICION



NO USAR GANCHOS



NO USAR MORDAZAS DE AGARRE LATERAL



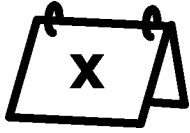
HORAS



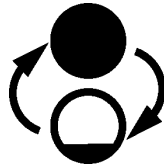
ENERGIA ELECTRICA



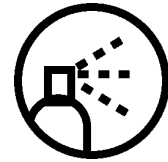
INSPECCIONAR



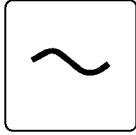
Cada X meses, si lo requieren más pronto por las horas de funcionamiento



CAMBIAR / MONTAR DE NUEVO



LIMPIAR.



ENTRADA DE ENERGIA ELECTRICA (AC)



Riesgo de punto de aplastamiento.
Mantener las manos alejadas.

SIMBOLOS ANSI**FORMA GRAFICA Y SIGNIFICADO DE LOS SIMBOLOS ANSI****PELIGRO**

AIRE DE ADMISIÓN. Puede contener monóxido de carbono u otros contaminantes. Puede causar lesiones graves o la muerte. Los compresores de aire Ingersoll Rand no están diseñados, destinados para aire respirable. No se debe usar el aire comprimido para aplicaciones de aire respirable a menos que se trate de acuerdo con todas las normas y reglamentos correspondientes.

**ADVERTENCIA**

VOLTAJE PELIGROSO. Puede causar lesiones graves o la muerte. Desconecte la energía y descargue la presión del tanque antes de darle servicio. Bloquear/etiquetar la máquina. El compresor debe estar conectado a un circuito adecuadamente puesto a tierra. Ver las instrucciones de puesta a tierra en el manual. No haga funcionar el compresor en ambientes húmedos. Debe almacenarse en el interior.



RIESGO DE INCENDIO O EXPLOSIÓN. El arco eléctrico producido por los componentes del compresor puede encender los líquidos y vapores inflamables, causando lesiones graves. No haga funcionar nunca el compresor cerca de líquidos o vapores inflamables. Si se utiliza para aspersión de materiales inflamables, debe mantenerse el compresor a una distancia mínima de 20 pies (6 metros) del área de aspersión.



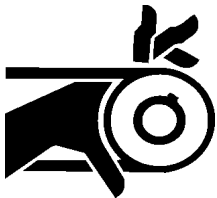
AIRE A ALTA PRESIÓN. Los tanques oxidados pueden producir una explosión y lesiones graves o la muerte. Receptor bajo presión. Antes de efectuar el mantenimiento, el operador deberá reducir la presión del tanque. Además del drenaje automático, haga funcionar la válvula manual de desagüe una vez por semana. La válvula manual de drenaje está ubicada en la parte inferior del tanque.



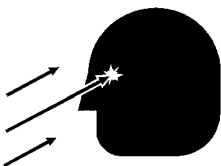
PARTES MÓVILES. Puede causar lesiones graves. No opere la máquina si se ha retirado el protector. La máquina puede empezar a funcionar automáticamente. Desconecte la energía ante de darle servicio a la máquina. Bloquear/etiquetar la máquina.



SUPERFICIE CALIENTE. Puede causar lesiones graves. No tocar. Deje que se enfríe antes de dar servicio. No toque el compresor ni las tuberías calientes.



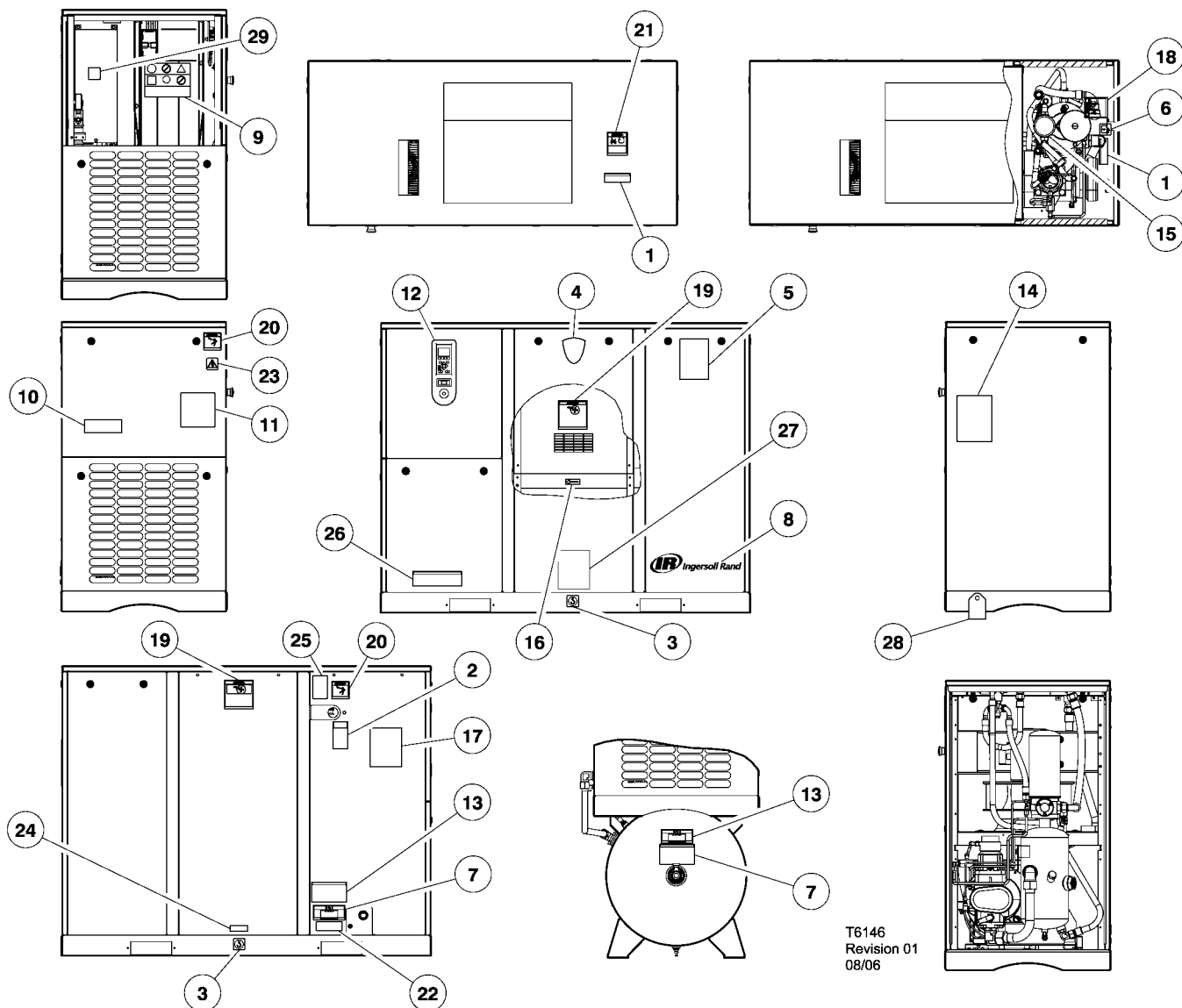
Correas y poleas expuestas. Pueden causar heridas severas o muerte. No opere con las cubiertas fuera de su lugar. Desconecte el suministro eléctrico, asegure el interruptor y marquelos antes de dar mantenimiento.



El flujo de escape puede expulsar desechos en suspensión. Debe usarse protección de seguridad en todo momento.

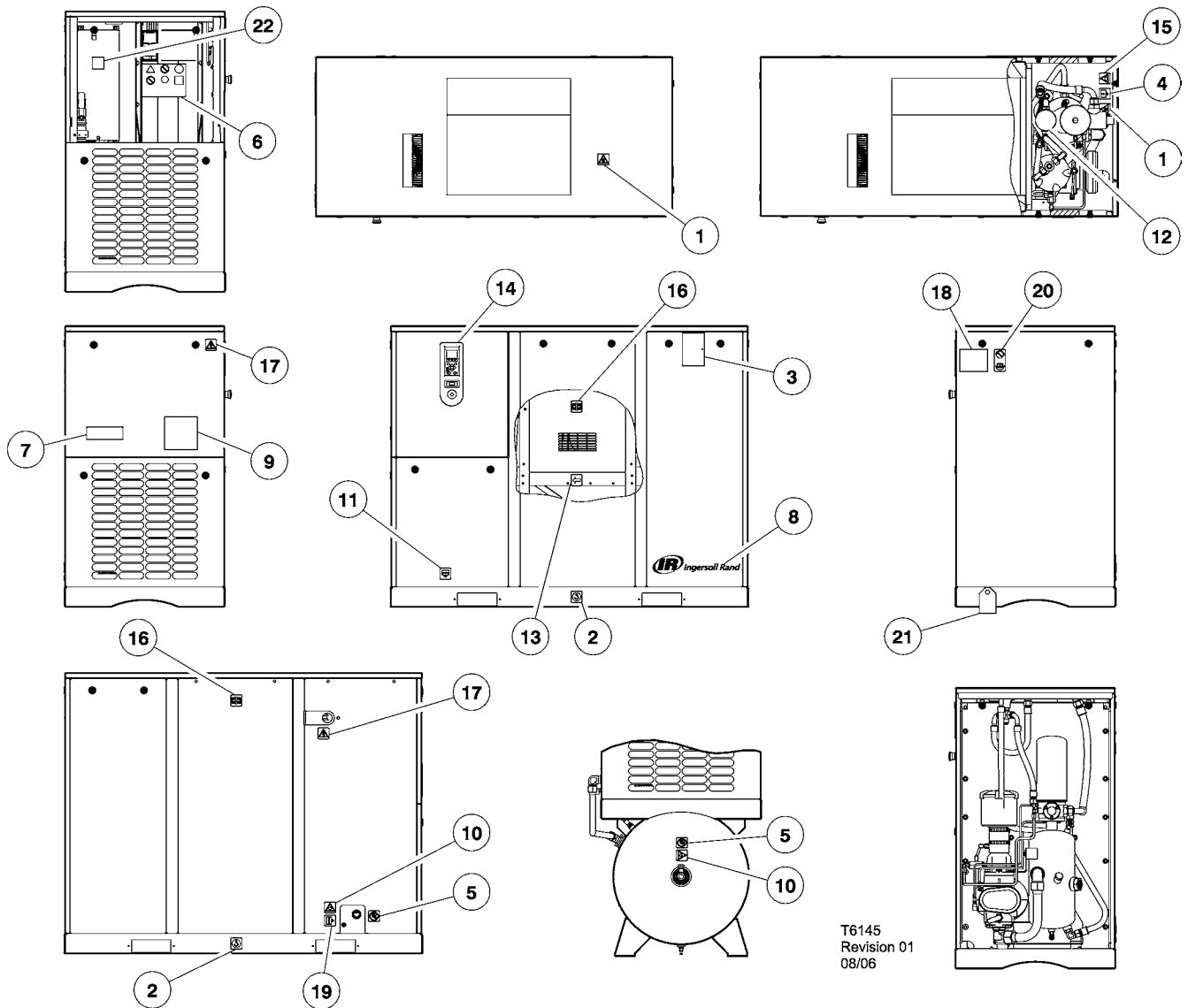


Riesgo de punto de aplastamiento. Mantener las manos alejadas.



T6146
Revision 01
08/06

Elemento	ccn	Cantidad	Descripción	Elemento	ccn	Cantidad	Descripción
1	32343584	2	Calcomanía, advertencia de superficie caliente	17	22794739	1	Calcomanía, esquema del sistema eléctrico
2	32343907	1	Calcomanía, bloquear y etiquetar	18	32343527	1	Calcomanía, advertencia de alta presión
3	93171262	2	Calcomanía, levantar aquí	19	32343550	2	Calcomanía, advertencia de ventilador expuesto
4	81295990	1	Calcomanía, Air Shield USA	20	32343568	2	Calcomanía, advertencia de tensión peligrosa
5	22064562	1	Calcomanía, AirCare	21	32343899	1	Calcomanía, advertencia de desechos volantes
6	93166460	1	Calcomanía, desagüe del refrigerante	22	22181663	1	Calcomanía, drenaje
7	32343519	2	Calcomanía, peligro aire contaminado	23	92930593	1	Calcomanía, descarga eléctrica
8	22806897	1	Calcomanía, logotipo de Ingersoll Rand	24	32276321	1	Calcomanía, calcomanía de norma de seguridad de California
9	22066302	1	Calcomanía, quince minutos antes del servicio	25	22394381	1	Calcomanía, toma de energía eléctrica
10	22814545	1	Calcomanía, válvula en derivación del secador	26	32343576	1	Calcomanía, drenaje automático (sólo tanque montado)
11	-	1	Calcomanía, número de modelo	27	22547145	1	Calcomanía, sistema de aire completo (sólo modelos con secador)
12	22806871	1	Calcomanía, banda	28	22923015	1	Etiqueta, transporte
13	32343543	2	Calcomanía, aviso descarga de aire	29	-	1	Calcomanía, tensión
14	23353238	1	Calcomanía, programa de mantenimiento				
15	93166502	1	Calcomanía, cambio del elemento del filtro				
16	30286686	1	Calcomanía, aviso de flecha de rotación				



T6145
Revision 01
08/06

Elemento	ccn	Cantidad	Descripción	Elemento	ccn	Cantidad	Descripción
1	92867530	2	Calcomanía, advertencia de superficie caliente	11	93166478	1	Calcomanía, drenaje automático
2	93171262	2	Calcomanía, levantar aquí (sólo base montada)	12	93166502	1	Calcomanía, cambio del elemento del filtro
3	22062319	1	Calcomanía, AirCare do you know, etiqueta	13	93165983	1	Calcomanía, aviso de flecha de rotación
4	93166460	1	Calcomanía, desagüe del refrigerante	14	22806871	1	Calcomanía, banda
5	92867407	2	Calcomanía: No inhalar	15	92930585	1	Calcomanía, recipiente presurizado
6	22066302	1	Calcomanía, quince minutos antes del servicio	16	93165959	2	Calcomanía, usar guardas cuando esté en funcionamiento
7	22814545	1	Calcomanía, válvula en derivación del secador	17	92930593	2	Calcomanía, descarga eléctrica
	22539431	1	Calcomanía, panel de control Paquetes sin secadores	18	22816797	1	Calcomanía, programa de mantenimiento
8	16543464	1	Calcomanía, logotipo de Ingersoll Rand	19	93166478	1	Calcomanía, drenaje de condensación
9	-	1	Calcomanía, número de modelo	20	92930668	1	Calcomanía, no mantenimiento antes de consultar el manual
10	92867498	2	Calcomanía, descarga de aire	21	22923015	1	Etiqueta, transporte
				22	-	1	Calcomanía, tensión

¡PELIGRO!

El riesgo **OCASIONARA** la **MUERTE, GRAVES LESIONES** o importantes daños en los bienes si se pasa por alto. Las instrucciones deberán respetarse con precisión para evitar las lesiones o la muerte.

¡ADVERTENCIA!

El riesgo **PUEDA** ocasionar la **MUERTE, GRAVES LESIONES** o importantes daños en los bienes si se pasa por alto. Las instrucciones deberán respetarse con precisión para evitar las lesiones o la muerte.

PRECAUCIONES

Las precauciones llaman la atención sobre las instrucciones que deben seguirse estrictamente para evitar daños en el equipo, el proceso o sus alrededores.

AVISOS

Los avisos se utilizan para dar información suplementaria.

PRECAUCION DE AIRE RESPIRABLE

Los compresores de aire Ingersoll Rand no han sido concebidos, destinados o aprobados para aire respirable. El aire comprimido no deberá utilizarse para aplicaciones de aire respirable, a menos que sea tratado de conformidad con todos los códigos y reglamentos aplicables.

Información general

Asegúrese de que el operador lea y *entienda* las pegatinas y consulte el manual antes de realizar mantenimiento u operación de la unidad.

Asegúrese de que el Manual de Funcionamiento y Mantenimiento no se retire permanentemente de la máquina.

Asegúrese que el personal de mantenimiento esta entrenado convenientemente y que han leído los Manuales de Mantenimiento.

No apuntar con boquillas de aire o pulverizadores a persona alguna.

El aire comprimido y la energía eléctrica pueden ser peligrosos. Antes de comenzar cualquier trabajo sobre el compresor, asegurar que la alimentación eléctrica ha sido cortada y que el compresor ha sido despresurizado.

Utilice protección para los ojos cuando funcione el compresor o realice trabajos de mantenimiento en el mismo.

Todas las personas situadas cerca de maquinaria en funcionamiento deberán llevar protección para los oídos y recibir instrucciones sobre su modo de empleo de conformidad con la legislación sobre seguridad en el lugar de trabajo.

Asegúrese de que todas las cubiertas protectoras estén en su lugar y que la capota o las puertas estén cerradas durante la operación.

Las especificaciones de esta máquina son tales que no es adecuada para usarla en áreas donde exista riesgo de gas inflamable.

La instalación de este compresor debe estar de acuerdo con códigos eléctricos reconocidos y con cualquier código local de Seguridad e Higiene.

El empleo de recipientes de plástico en filtros de conductos puede resultar peligroso. Su seguridad puede verse afectada bien sea por lubricantes sintéticos o por aditivos utilizados en aceites minerales. Ingersoll Rand recomienda utilizar sólo recipientes de metal en sistemas sometidos a presión.

Aire comprimido

El aire comprimido puede ser peligroso si no se utiliza correctamente. Antes de realizar ningún tipo de trabajo en la unidad, asegúrese de que se ha liberado toda la presión del sistema y que la máquina no puede arrancar accidentalmente.

ASVERTENCIA

Imponiendo en el compresor una parada normal o de emergencia sólo desahogará la presión aguas arriba de la válvula de presión mínima encima del tanque separador. Si se requiere trabajo de mantenimiento aguas abajo de esta válvula, cerciorarse de que se desahogue toda la presión en el punto de ventilación del proceso exterior al compresor.

Asegúrese que la máquina trabajando a la presión es conocida por el personal apropiado.

Todo el equipo de presión de aire instalado o conectado a la máquina tienen que funcionar a presiones de trabajo de seguridad o al menos a la presión de tarado de la máquina.

Si se conecta más de un compresor a una planta común aguas abajo, deberán instalarse y controlarse por procedimientos de trabajo válvulas de aislamiento eficaces, de forma que una máquina no sea sometida a presión / sobrepresión accidentalmente por otra.

El aire comprimido no tiene que usarse directamente por ningún aparato de respiración o máscara.

El aire descargado contiene un porcentaje muy pequeño de aceite lubricante del compresor y se deberá tener cuidado de que sea compatible el equipo situado aguas abajo.

Si el aire de descarga se va a liberar en un espacio reducido, debe proporcionarse una ventilación adecuada.

Cuando se emplee aire comprimido, el personal deberá llevar un equipo de protección adecuado.

Todas las piezas sometidas a presión, especialmente tubos flexibles y sus acoplamientos, tienen que ser inspeccionados regularmente, no tener ningún defecto y han de ser sustituidos de acuerdo al Manual de instrucciones.

El aire comprimido puede ser peligroso si no se utiliza correctamente. Antes de realizar ningún tipo de trabajo en la unidad, asegúrese de que se ha liberado toda la presión del sistema y que la máquina no puede arrancar accidentalmente.

Evite el contacto de cualquier parte del cuerpo con el aire comprimido.

Deberá comprobarse periódicamente el funcionamiento de todas las válvulas de seguridad situadas en el tanque separador.

No someter a presión excesiva al tanque colector o a recipientes similares superando los límites de diseño.

No usar un tanque colector ni recipientes similares que no cumplan los requisitos de diseño del compresor. Sírvanse contactar con el distribuidor si se precisa asistencia.

No taladrar, soldar o alterar de otro modo el tanque colector o recipientes similares.

Antes de realizar el servicio a la unidad, ventilar la presión antes de eliminar la corriente para asegurarse de que la indicador dé una lectura de presión cero.

Productos

Las siguientes sustancias han sido utilizadas en la fabricación de esta máquina y *pueden* ser peligrosas para la salud si se utilizan incorrectamente:–

- . grasa conservante
- . inhibidor de óxido
- . refrigerante del compresor
- . refrigerante

EVITE LA INGESTION, EL CONTACTO CON LA PIEL Y LA INHALACION DE HUMOS

Transporte

Cuando se transporte o carque una máquina, asegurarse que se usan los puntos específicos de elevación y de remolque.

El equipo de elevación ha de tener capacidad adecuada para el peso del compresor.

No trabajar ni pasar por debajo del compresor mientras esté suspendido.

Sistema eléctrico

Mantener todas las partes del cuerpo y cualquier herramienta de mano u otros objetos conductores alejados de las piezas con corriente del sistema eléctrico que estén expuestas. Mantener seco el pedestal, mantenerse en superficies aisladas y no tocar ninguna otra parte del compresor al realizar ajustes o reparaciones en piezas con corriente del sistema eléctrico que estén expuestas.

ADVERTENCIA

Cualquier conexión eléctrica o ajuste sólo deberá ser realizado por un electricista cualificado competente.

Cerrar y bloquear con llave todas las puertas de acceso cuando el compresor quede desatendido.

No utilizar extintores destinados a incendios de la Clase A o Clase B cuando se trate de incendios eléctricos. Utilizar solamente extintores idóneos para incendios de la clase AB o de la clase ABC.

Efectuar reparaciones únicamente en zonas limpias, secas, bien iluminadas y ventiladas.

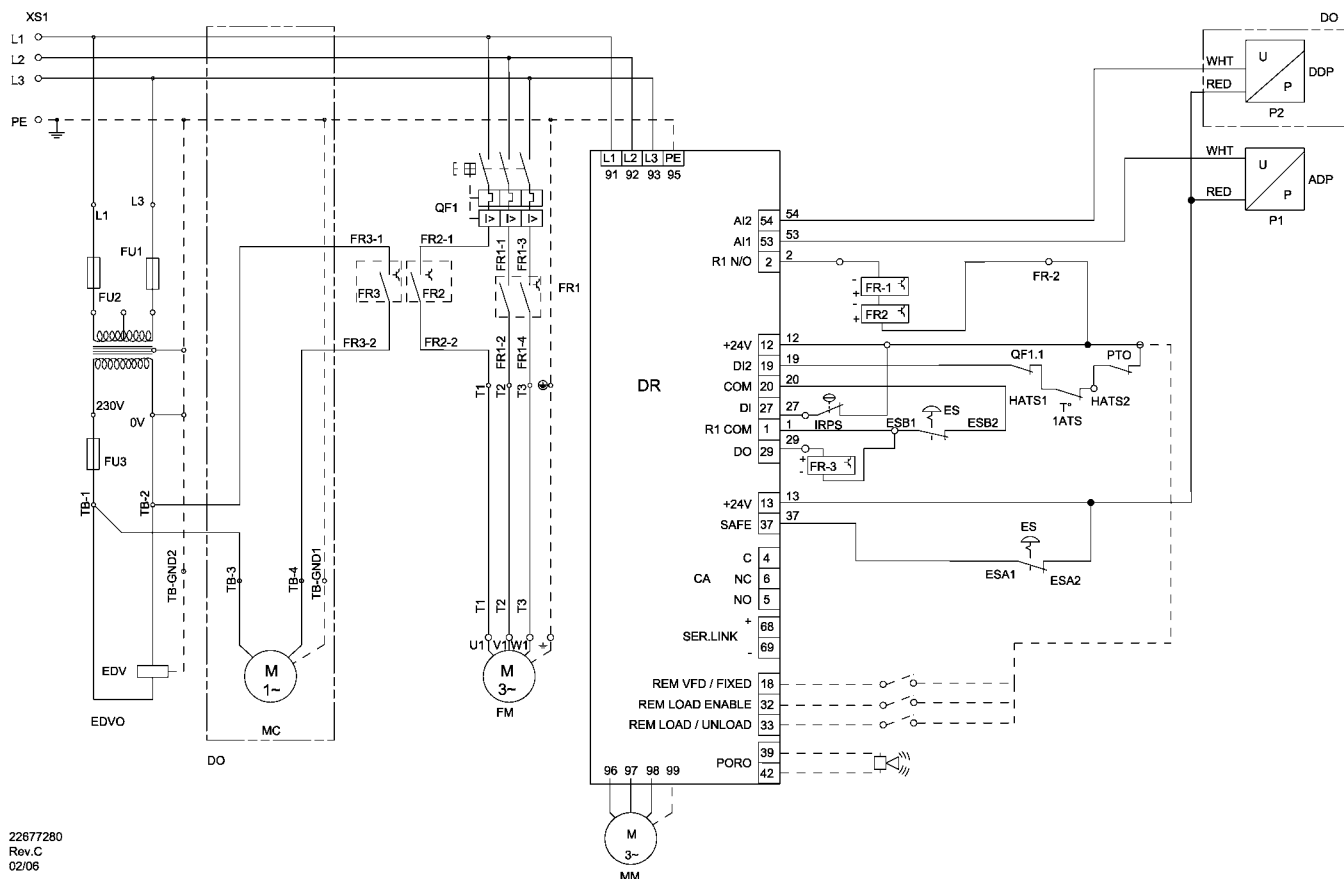
Conectar el compresor únicamente a sistemas eléctricos que sean compatibles con sus características eléctricas y que sean de su capacidad nominal.

Eliminación del condensado

Dado que las normas sobre aguas residuales varían entre países y regiones, el usuario tiene la responsabilidad de establecer los límites y respetar las normas de su zona en particular. Ingersoll Rand y sus distribuidores correspondientes se complacerían en asesorar y ayudar en estos aspectos.

Para más amplia información, consultar la Hoja de Datos de Materiales CPN 88303979 para Refrigerante ULTRA.

TN, TT, IT 3+PE. 380–460V, 50Hz/60Hz.



22677280
Rev.C
02/06

CLAVE

- XS1** Terminales de red
- QF1** Motor de arranque del ventilador
- QF1.1** Contacto auxiliar
- FU3** Fusible secundario del transformador
- FU1, 2** Fusibles principales del transformador
- FR1** Relé de estado sólido
- FR2** Relé de estado sólido
- FR3** Relé de estado sólido
- EDV** Válvula de drenaje eléctrico
- DR** Transmisión de velocidad variable
- MM** Motor principal
- FM** Motor del ventilador
- MC** Motor del secador
- ES** Parada de emergencia
- 1ATS** Interruptor de alta temperatura del aire
- 1RPS** Conmutador de presión de la refrigeración del secador
- PTO** Termistor, temperatura del devanado del motor
- P1, P2** Transductor de presión
- EDVO** Opción de válvula de drenaje electrónica
- DO** Opción de secador
- CA** Alarma habitual

- WHT** Blanco
- RED** Rojo
- DDP** Presión de descarga del secador (Opción de secador)
- ADP** Presión de descarga del subenfriador

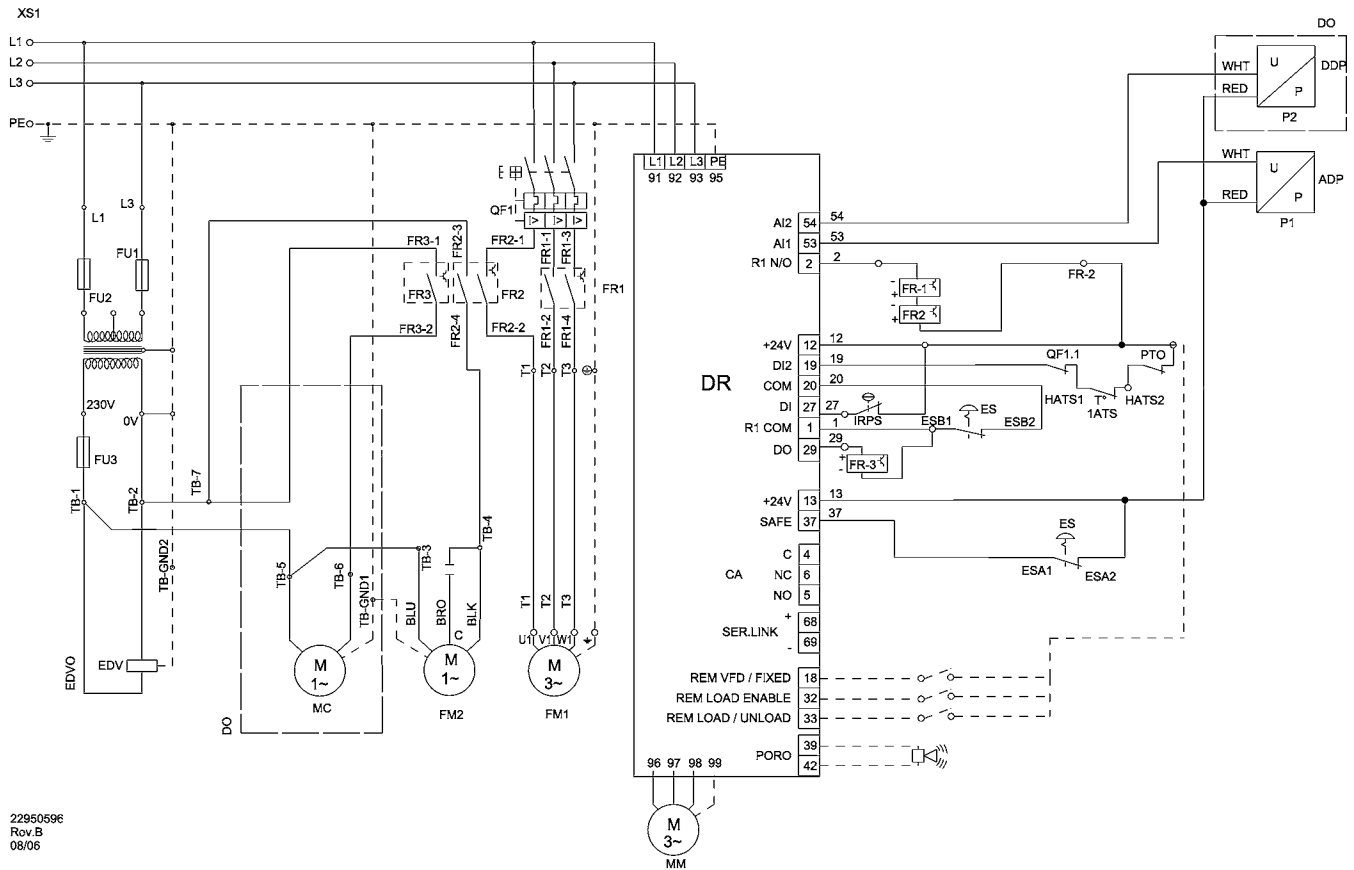
CABLES

- ENERGÍA – Negro
- CONTROL DE CC – Azul
- NEUTRO – Azul claro
- TIERRA PROTECTORA – Verde / Amarillo

NOTAS

1. EL TIPO Y RÉGIMEN CORRECTOS DEL FUSIBLE DE ENTRADA DE LÍNEA DEBERAN MONTARSE EN EL AISLADOR O INTERRUPTOR DEL CLIENTE, CERCA DEL COMPRESOR. DE ACCIÓN RÁPIDA, CLASE – J, O TIPO SEMICONDUCTOR, LIMITADOR DE CORRIENTE, RÉGIMEN NOMINAL DE INTERRUPTOR 200.000 AMPERIOS SECCIÓN RMS
2. LA DIMENSION DE COMPONENTES ELECTRICOS NO SUMINISTRADOS POR INGERSOLL RAND ES RESPONSABILIDAD DEL CLIENTE Y DEBERA SEÑECCIONARSE DE CONFORMIDAD CON LA INFORMACION DE LA CHAPA DE DATOS DEL COMPRESOR, DE N.E.C. Y DE LOS CODIGOS ELECTRICOS LOCALES.
3. LA CALCOMANÍA DEBE ESTAR CONFORME A LA ÚLTIMA REVISIÓN DE LA ESPECIFICACIÓN IR 92–8.95.

TN, TT, IT 3+PE. 200–230V, 60Hz. 380–460V, 50Hz/60Hz.



22950596
Rev.B
08/06

CLAVE

XS1	Terminales de red
QF1	Motor de arranque del ventilador
QF1.1	Contacto auxiliar
FU3	Fusible secundario del transformador
FU1, 2	Fusibles principales del transformador
FR1	Relé de estado sólido
FR2	Relé de estado sólido
FR3	Relé de estado sólido
EDV	Válvula de drenaje eléctrico
DR	Transmisión de velocidad variable
MM	Motor principal
FM1	Motor del ventilador
FM2	Ventilador del motor de la soplante principal
MC	Motor del secador
ES	Parada de emergencia
1ATS	Interruptor de alta temperatura del aire
1RPS	Conmutador de presión de la refrigeración del secador
PTO	Termistor, temperatura del devanado del motor
P1, P2	Transductor de presión
C	Condensador
DO	Opción de secador
DDP	Presión de descarga del secador (Opción de secador)
ADP	Presión de descarga del subenfriador
EDVO	Opción de válvula de drenaje electrónica

CA	Alarma habitual
BLK	Negro
BLU	Azul
BRO	Marrón
WHT	Blanco
RED	Rojo

CABLES

ENERGÍA – Negro
CONTROL DE CC – Azul
NEUTRO – Azul claro
TIERRA PROTECTORA – Verde / Amarillo

NOTAS

1. EL TIPO Y RÉGIMEN CORRECTOS DEL FUSIBLE DE ENTRADA DE LÍNEA DEBERAN MONTARSE EN EL AISLADOR O INTERRUPTOR DEL CLIENTE, CERCA DEL COMPRESOR.

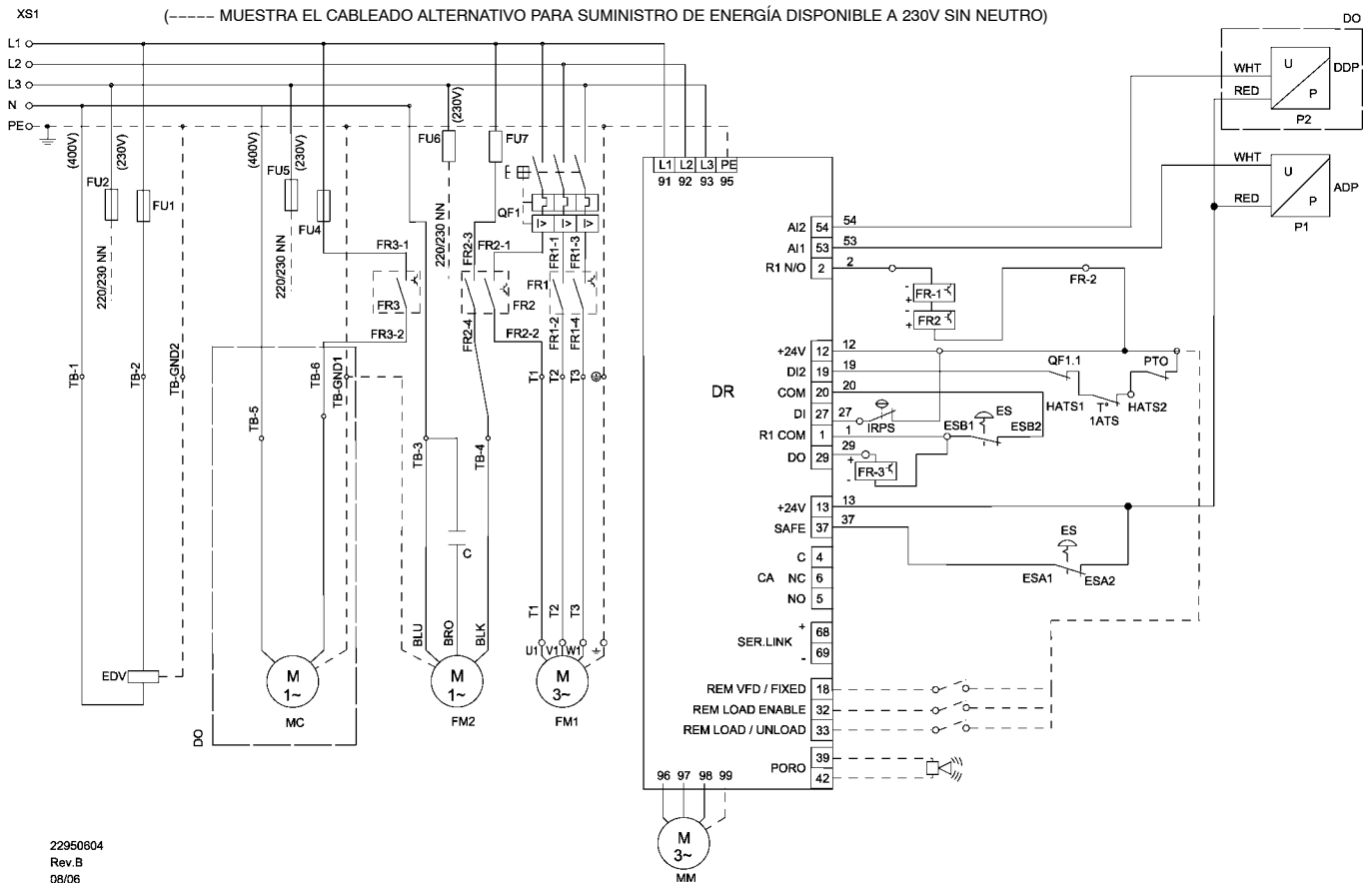
DE ACCIÓN RÁPIDA, CLASE – J, O TIPO SEMICONDUCTOR, LIMITADOR DE CORRIENTE, RÉGIMEN NOMINAL DE INTERRUPTOR 200.000 AMPERIOS SECCIÓN RMS

2. LA DIMENSION DE COMPONENTES ELECTRICOS NO SUMINISTRADOS POR INGERSOLL RAND ES RESPONSABILIDAD DEL CLIENTE Y DEBERA SEÑECCIONARSE DE CONFORMIDAD CON LA INFORMACION DE LA CHAPA DE DATOS DEL COMPRESOR, DE N.E.C. Y DE LOS CODIGOS ELECTRICOS LOCALES.

3. LA CALCOMANÍA DEBE ESTAR CONFORME A LA ÚLTIMA REVISIÓN DE LA ESPECIFICACIÓN IR 92–8.95.

TN, TT, IT 3+(N)+PE. 200–230V, 380–415V, 50Hz.

CABLEADO PARA SUMINISTRO TRIFÁSICO DE ENERGÍA, CON NEUTRO Y TIERRA DE PROTECCIÓN
 (----- MUESTRA EL CABLEADO ALTERNATIVO PARA SUMINISTRO DE ENERGÍA DISPONIBLE A 230V SIN NEUTRO)



22950804
 Rev.B
 08/06

CLAVE

- XS1** Terminales de red
- QF1** Motor de arranque del ventilador
- QF1.1** Contacto auxiliar
- FU3** Fusible secundario del transformador
- FU1, 2** Fusibles principales del transformador
- FR1** Relé de estado sólido
- FR2** Relé de estado sólido
- FR3** Relé de estado sólido
- EDV** Válvula de drenaje eléctrico
- DR** Transmisión de velocidad variable
- MM** Motor principal
- FM1** Motor del ventilador
- FM2** Ventilador del motor de la soplante principal
- MC** Motor del secador
- ES** Parada de emergencia
- 1ATS** Interruptor de alta temperatura del aire
- 1RPS** Conmutador de presión de la refrigeración del secador
- PTO** Termistor, temperatura del devanado del motor
- P1, P2** Transductor de presión
- C** Condensador
- DO** Opción de secador
- DDP** Presión de descarga del secador (Opción de secador)
- ADP** Presión de descarga del subenfriador
- EDVO** Opción de válvula de drenaje electrónica
- CA** Alarma habitual

- NN** Sin neutro
- BLK** Negro
- BLU** Azul
- BRO** Marrón
- WHT** Blanco
- RED** Rojo

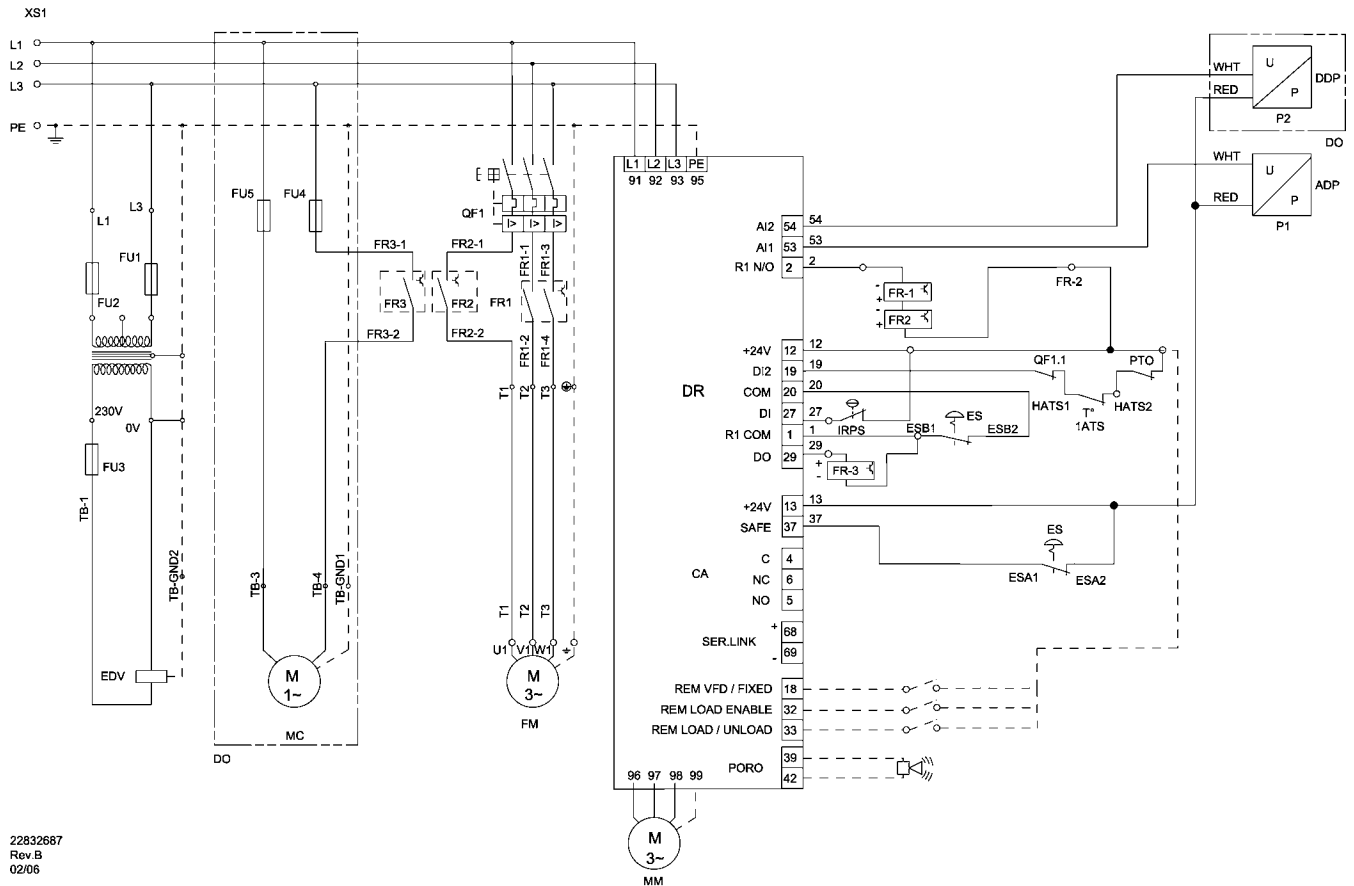
CABLES

- ENERGÍA – Negro
- CONTROL DE CC – Azul
- NEUTRO – Azul claro
- TIERRA PROTECTORA – Verde / Amarillo

NOTAS

1. EL TIPO Y RÉGIMEN CORRECTOS DEL FUSIBLE DE ENTRADA DE LÍNEA DEBERAN MONTARSE EN EL AISLADOR O INTERRUPTOR DEL CLIENTE, CERCA DEL COMPRESOR. DE ACCIÓN RÁPIDA, CLASE – J, O TIPO SEMICONDUCTOR, LIMITADOR DE CORRIENTE, RÉGIMEN NOMINAL DE INTERRUPTOR 200.000 AMPERIOS SECCIÓN RMS
2. LA DIMENSION DE COMPONENTES ELECTRICOS NO SUMINISTRADOS POR INGERSOLL RAND ES RESPONSABILIDAD DEL CLIENTE Y DEBERA SEÑECCIONARSE DE CONFORMIDAD CON LA INFORMACION DE LA CHAPA DE DATOS DEL COMPRESOR, DE N.E.C. Y DE LOS CODIGOS ELECTRICOS LOCALES.
3. LA CALCOMANÍA DEBE ESTAR CONFORME A LA ÚLTIMA REVISIÓN DE LA ESPECIFICACIÓN IR 92–8.95.

TN, TT, IT 3+PE. 200V, 60Hz.



22832687
Rev B
02/06

CLAVE

XS1	Terminales de red	WHT	Blanco
QF1	Motor de arranque del ventilador	RED	Rojo
QF1.1	Contacto auxiliar	DDP	Presión de descarga del secador (Opción de secador)
FU3	Fusible secundario del transformador	ADP	Presión de descarga del subenfriador
FU1, 2	Fusibles principales del transformador		
FU4, 5	Fusibles del secador		
FR1	Relé de estado sólido		
FR2	Relé de estado sólido		
FR3	Relé de estado sólido		
EDV	Válvula de drenaje eléctrico		
DR	Transmisión de velocidad variable		
MM	Motor principal		
FM	Motor del ventilador		
MC	Motor del secador		
ES	Parada de emergencia		
1ATS	Interruptor de alta temperatura del aire		
1RPS	Conmutador de presión de la refrigeración del secador		
PTO	Termistor, temperatura del devanado del motor		
P1, P2	Transductor de presión		
DO	Opción de secador		
CA	Alarma habitual		

CABLES

ENERGÍA – Negro

CONTROL DE CC – Azul

NEUTRO – Azul claro

TIERRA PROTECTORA – Verde / Amarillo

NOTAS

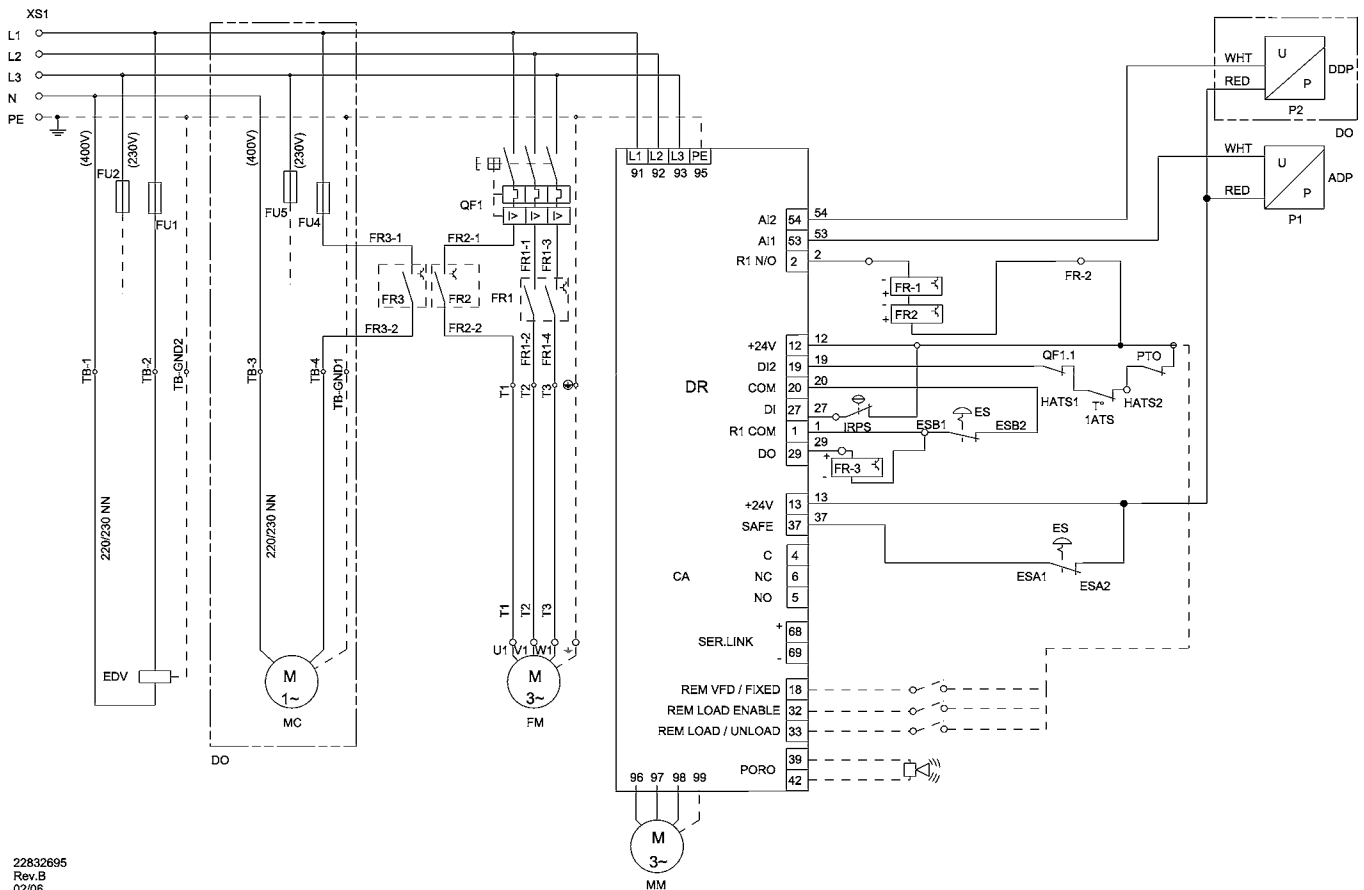
1. EL TIPO Y RÉGIMEN CORRECTOS DEL FUSIBLE DE ENTRADA DE LÍNEA DEBERAN MONTARSE EN EL AISLADOR O INTERRUPTOR DEL CLIENTE, CERCA DEL COMPRESOR.

DE ACCIÓN RÁPIDA, CLASE – J, O TIPO SEMICONDUCTOR, LIMITADOR DE CORRIENTE, RÉGIMEN NOMINAL DE INTERRUPTOR 200.000 AMPERIOS SECCIÓN RMS

2. LA DIMENSION DE COMPONENTES ELECTRICOS NO SUMINISTRADOS POR INGERSOLL RAND ES RESPONSABILIDAD DEL CLIENTE Y DEBERA SEÑECCIONARSE DE CONFORMIDAD CON LA INFORMACION DE LA CHAPA DE DATOS DEL COMPRESOR, DE N.E.C. Y DE LOS CODIGOS ELECTRICOS LOCALES.

3. LA CALCOMANÍA DEBE ESTAR CONFORME A LA ÚLTIMA REVISIÓN DE LA ESPECIFICACIÓN IR 92-8.95.

TN, TT, IT 3+PE. 220–230V, 60Hz. 380–460V, 50Hz.



22832695
Rev.B
02/06

CLAVE

Cableado alternativo para suministro eléctrico a tierra protector, neutro y trifásico.

- XS1** Terminales de red
- QF1** Motor de arranque del ventilador
- QF1.1** Contacto auxiliar
- FU4, 5** Fusibles del secador
- FU1, 2** Fusibles EDV
- FR1** Relé de estado sólido
- FR2** Relé de estado sólido
- FR3** Relé de estado sólido
- EDV** Válvula de drenaje eléctrico
- DR** Transmisión de velocidad variable
- MM** Motor principal
- FM** Motor del ventilador
- MC** Motor del secador
- ES** Parada de emergencia
- 1ATS** Interruptor de alta temperatura del aire
- 1RPS** Conmutador de presión de la refrigeración del secador
- PTO** Termistor, temperatura del devanado del motor
- P1, P2** Transductor de presión
- DO** Opción de secador
- CA** Alarma habitual
- WHT** Blanco

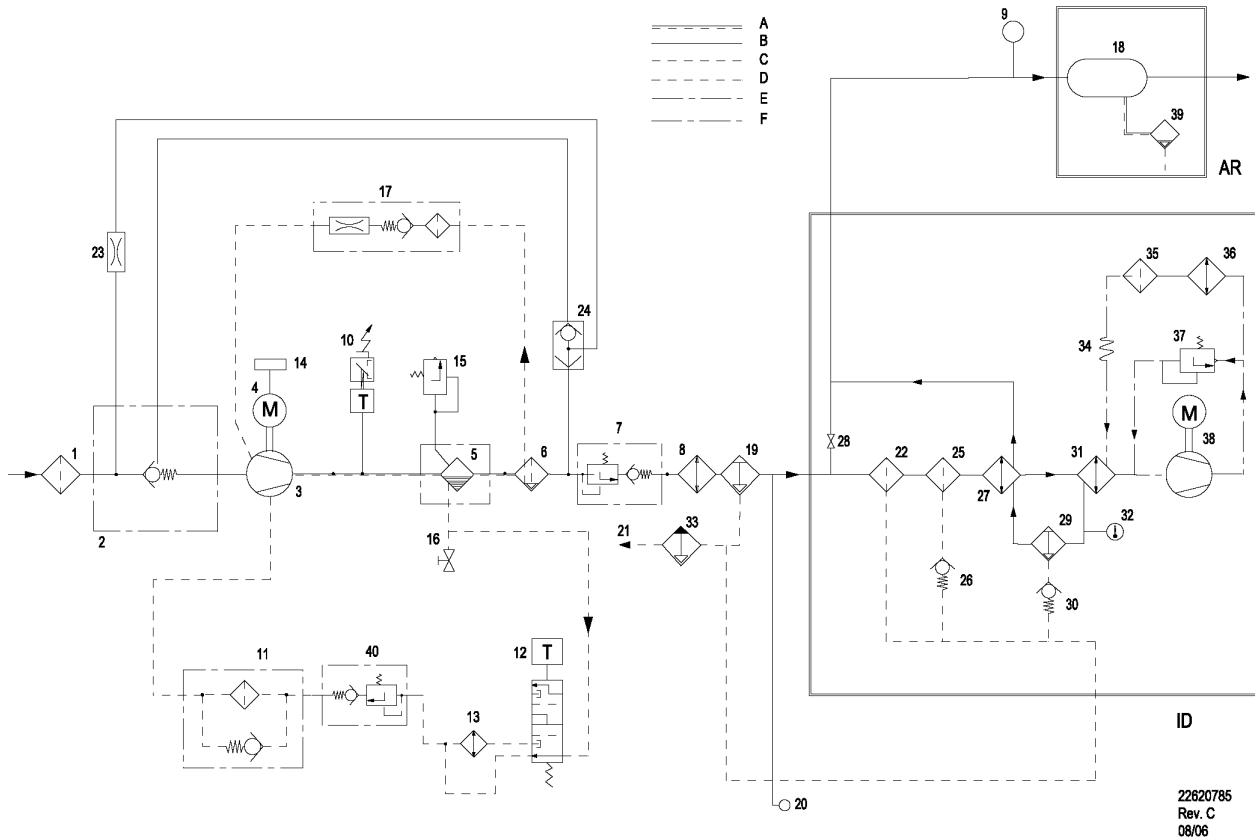
- RED** Rojo
- DDP** Presión de descarga del secador (Opción de secador)
- ADP** Presión de descarga del subenfriador
- 220/230 NN** Cableado alternativo para suministro eléctrico de 230 V sin neutro disponible.

CABLES

- ENERGÍA – Negro
- CONTROL DE CC – Azul
- NEUTRO – Azul claro
- TIERRA PROTECTORA – Verde / Amarillo

NOTAS

1. EL TIPO Y RÉGIMEN CORRECTOS DEL FUSIBLE DE ENTRADA DE LÍNEA DEBERAN MONTARSE EN EL AISLADOR O INTERRUPTOR DEL CLIENTE, CERCA DEL COMPRESOR. DE ACCIÓN RÁPIDA, CLASE – J, O TIPO SEMICONDUCTOR, LIMITADOR DE CORRIENTE, RÉGIMEN NOMINAL DE INTERRUPTOR 200.000 AMPERIOS SECCIÓN RMS
2. LA DIMENSION DE COMPONENTES ELECTRICOS NO SUMINISTRADOS POR INGERSOLL RAND ES RESPONSABILIDAD DEL CLIENTE Y DEBERA SEÑECCIONARSE DE CONFORMIDAD CON LA INFORMACION DE LA CHAPA DE DATOS DEL COMPRESOR, DE N.E.C. Y DE LOS CODIGOS ELECTRICOS LOCALES.
3. LA CALCOMANÍA DEBE ESTAR CONFORME A LA ÚLTIMA REVISIÓN DE LA ESPECIFICACIÓN IR 92–8.95.



CLAVE

AR Recipiente de almacenamiento de aire (opcional)

ID Secador Integrado (opcional)

1. Filtro de aire

2. Válvula entrada

3. Conjunto unidad compresora

4. Motor

5. Tanque, separador – basto

6. Separador, Fino

7. Válvula de presión mínima

8. Post–enfriador

9. Transductor de presión

10. Interruptor de temperatura

11. Filtro del refrigerante

12. Termostato

13. Enfriador

14. Controlador de accionamiento

15. Válvula de seguridad

16. Válvula de vaciado

17. Pantalla, barrido

18. Recipiente de almacenamiento de aire

19. Separador de humedad (Opcional)

20. Transductor, presión – Línea

21. Descarga de condensación

22. Filtro, de aire – funcionamiento general

23. Orificio

24. Válvula de seguridad

25. Filtro, de aire – Alto rendimiento

26. Válvula, de retención

27. Recuperador

28. Válvula de aislamiento

29. Separador de la humedad

30. Válvula, de retención

31. Evaporador

32. Indicador, punto de rocío

33. Válvula, de condensado

34. Válvula de expansión térmica

35. Filtro, del refrigerante del secador

36. Condensador

37. Válvula, de circunvalación de gas caliente

38. Compresor del refrigerante

39. Válvula, de drenaje automático

40. Válvula de presión mínima

A Aire/Lubricante

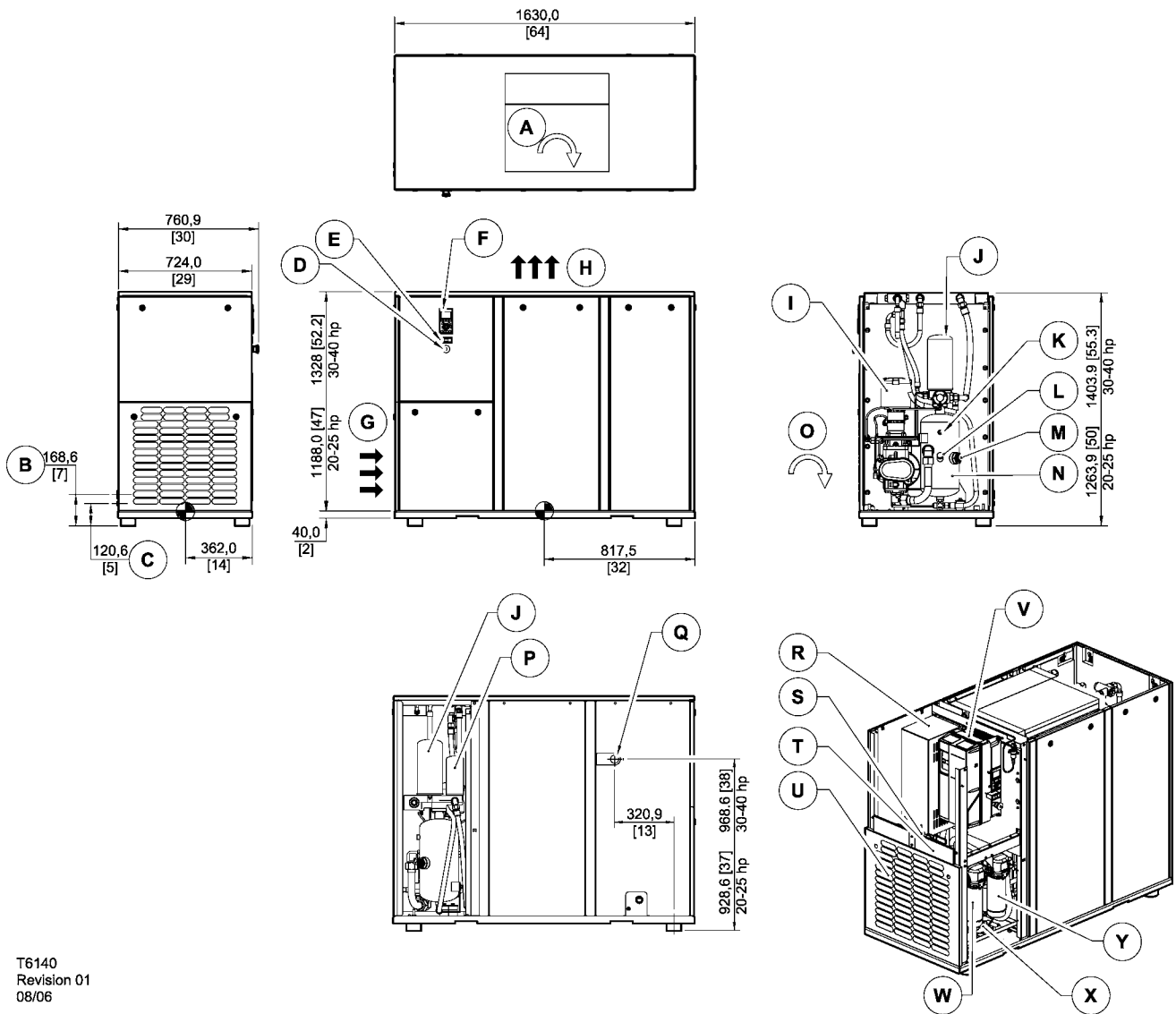
B Aire

C Lubricante

D Condensado

E Límite de componentes

F Refrigerante



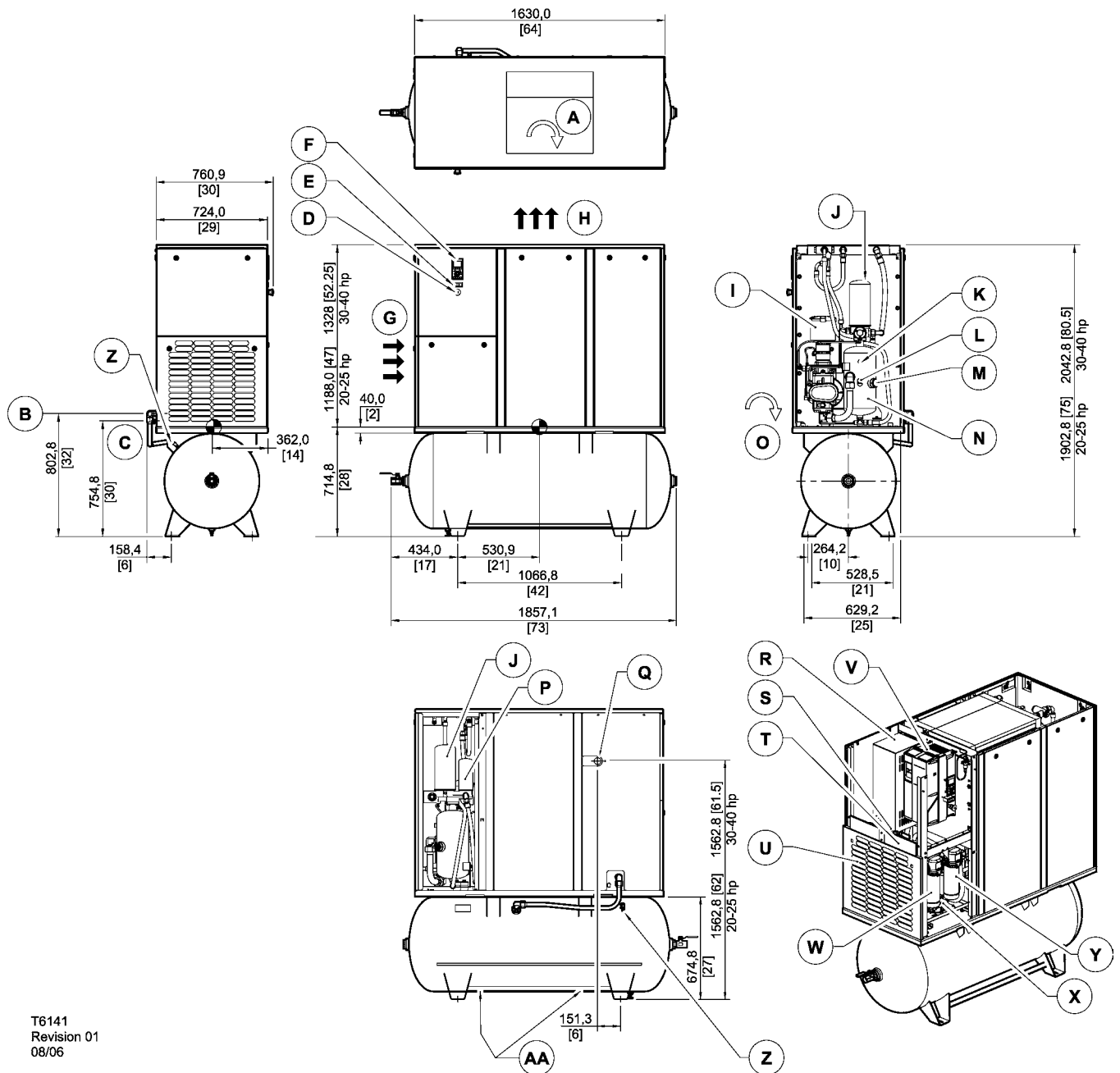
T6140
Revision 01
08/06

CLAVE
20-40 HP BANCADA 120 GALÓN

- | | |
|---|---|
| A Giro del ventilador | O Giro del motor de accionamiento |
| B Ubicación de la descarga de aire | P Filtro del refrigerante |
| C Ubicación del drenaje | Q Conexiones de potencia de entrada |
| D Botón de parada de emergencia | R Panel de acceso a los controles/fusibles eléctricos |
| E Indicador de punto de rocío del secador | S Válvula en derivación |
| F Ubicación de la transmisión | T Secador integrado (Opcional) |
| G Admisión de aire | U Paquete pre-filtro |
| H Escape de aire | V Transmisión |
| I Filtro de entrada de aire | W Filtro uso general del secador |
| J Elemento del separador de refrigerante | X Válvula de drenaje eléctrica |
| K Válvula de seguridad del recipiente de almacenamiento | Y Filtro alta eficiencia del secador |
| L Abastecimiento del refrigerante | |
| M Visor indicador del nivel del refrigerante | |
| N Tanque separador | |



Centro de gravedad



T6141
Revision 01
08/06

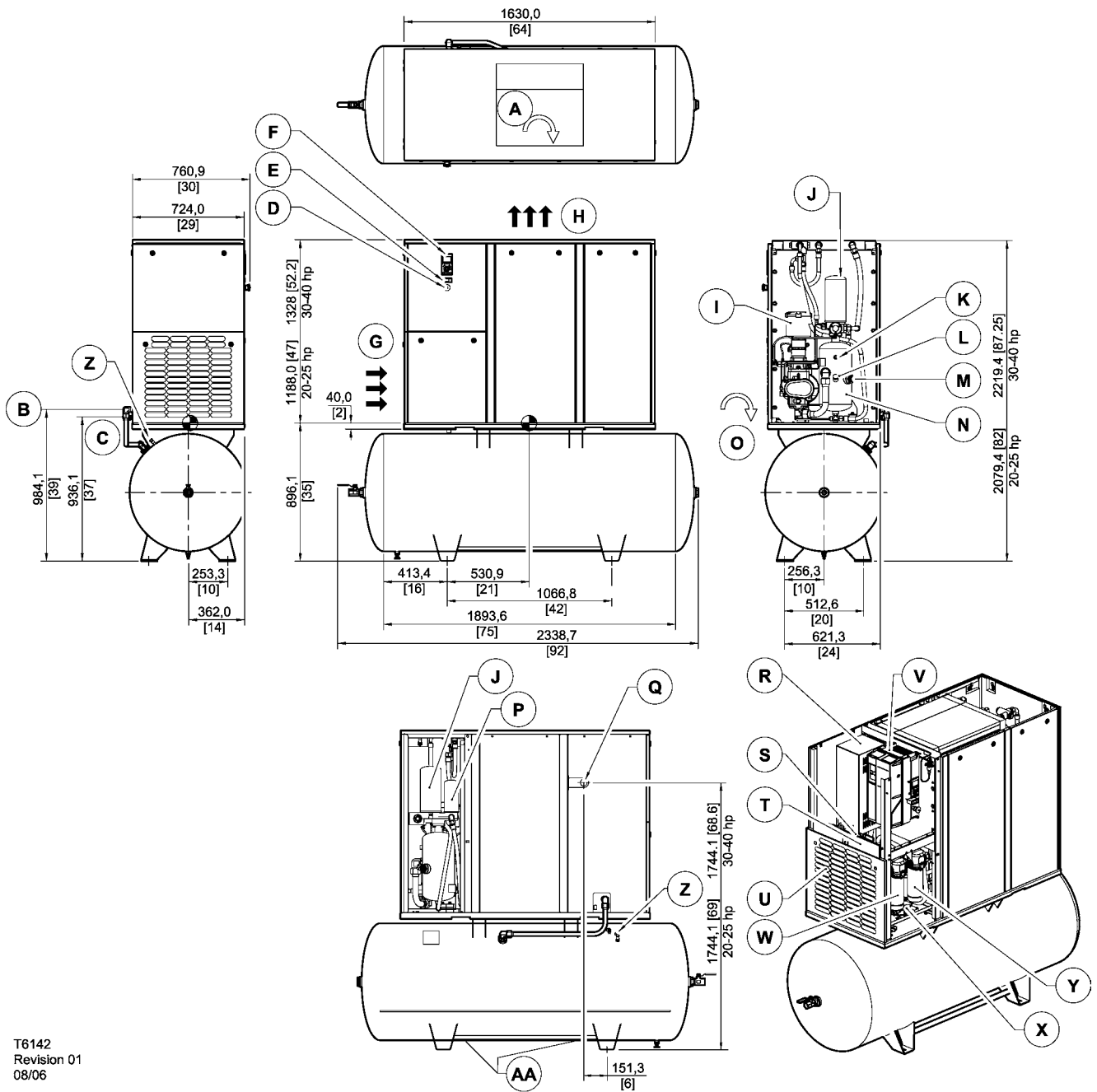
CLAVE

20-40 HP 120 GALÓN

- | | |
|---|---|
| A Giro del ventilador | P Filtro del refrigerante |
| B Ubicación de la descarga de aire | Q Conexiones de potencia de entrada |
| C Ubicación del drenaje | R Panel de acceso a los controles/fusibles eléctricos |
| D Botón de parada de emergencia | S Válvula en derivación |
| E Indicador de punto de rocío del secador | T Secador integrado (Opcional) |
| F Ubicación de la transmisión | U Paquete pre-filtro |
| G Admisión de aire | V Transmisión |
| H Escape de aire | W Filtro uso general del secador |
| I Filtro de entrada de aire | X Válvula de drenaje eléctrica |
| J Elemento del separador de refrigerante | Y Filtro alta eficiencia del secador |
| K Válvula de seguridad del recipiente de almacenamiento | Z Válvula de seguridad del receptor |
| L Abastecimiento del refrigerante | AA Puntos de elevación del paquete |
| M Visor indicador del nivel del refrigerante | |
| N Tanque separador | |
| O Giro del motor de accionamiento | |



Centro de gravedad



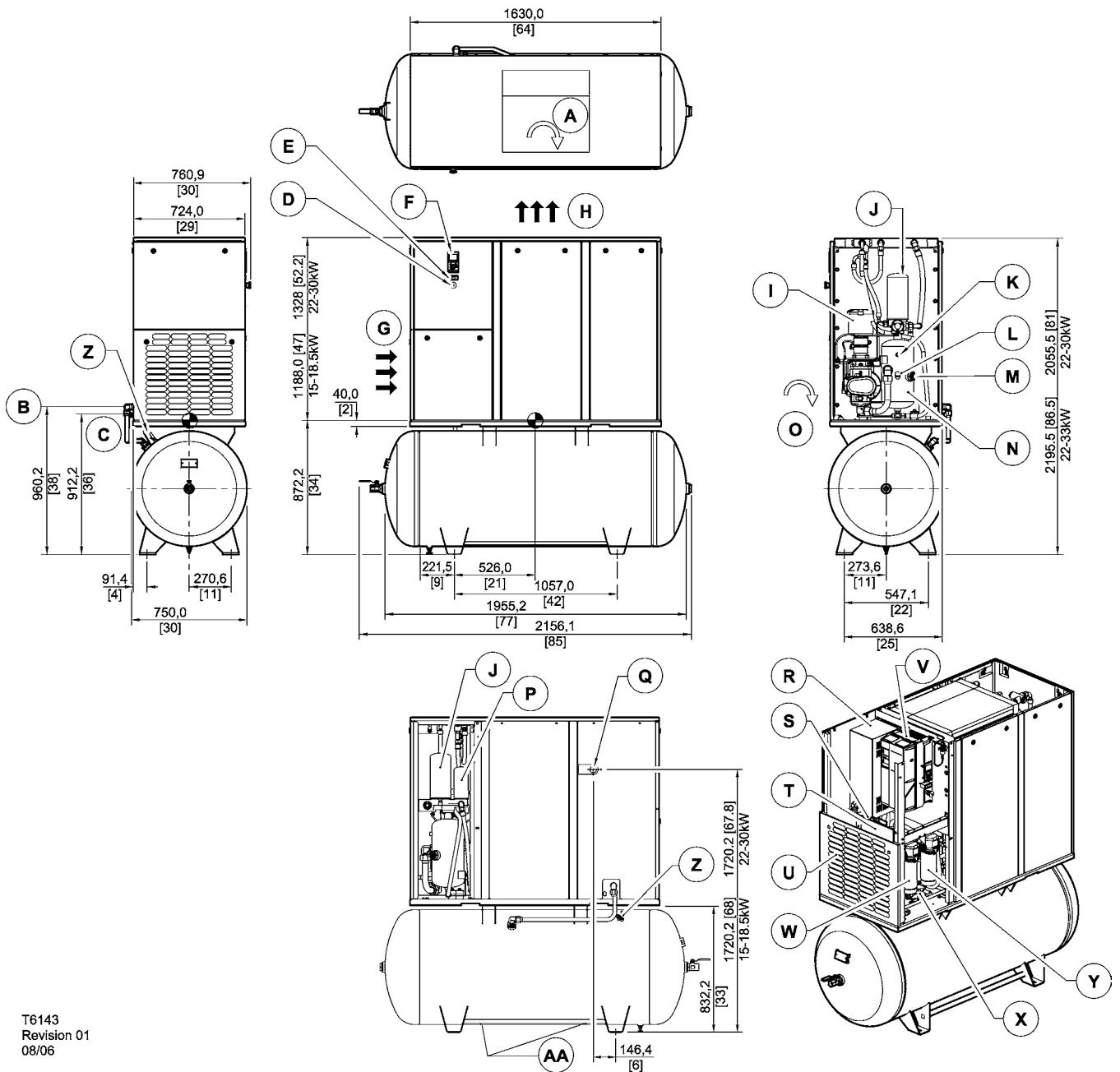
T6142
Revision 01
08/06

CLAVE
20-40 HP 240 GALÓN

- | | |
|---|---|
| A Giro del ventilador | P Filtro del refrigerante |
| B Ubicación de la descarga de aire | Q Conexiones de potencia de entrada |
| C Ubicación del drenaje | R Panel de acceso a los controles/fusibles eléctricos |
| D Botón de parada de emergencia | S Válvula en derivación |
| E Indicador de punto de rocío del secador | T Secador integrado (Opcional) |
| F Ubicación de la transmisión | U Paquete pre-filtro |
| G Admisión de aire | V Transmisión |
| H Escape de aire | W Filtro uso general del secador |
| I Filtro de entrada de aire | X Válvula de drenaje eléctrica |
| J Elemento del separador de refrigerante | Y Filtro alta eficiencia del secador |
| K Válvula de seguridad del recipiente de almacenamiento | Z Válvula de seguridad del receptor |
| L Abastecimiento del refrigerante | AA Puntos de elevación del paquete |
| M Visor indicador del nivel del refrigerante | |
| N Tanque separador | |
| O Giro del motor de accionamiento | |



Centro de gravedad



T6143
Revision 01
08/06

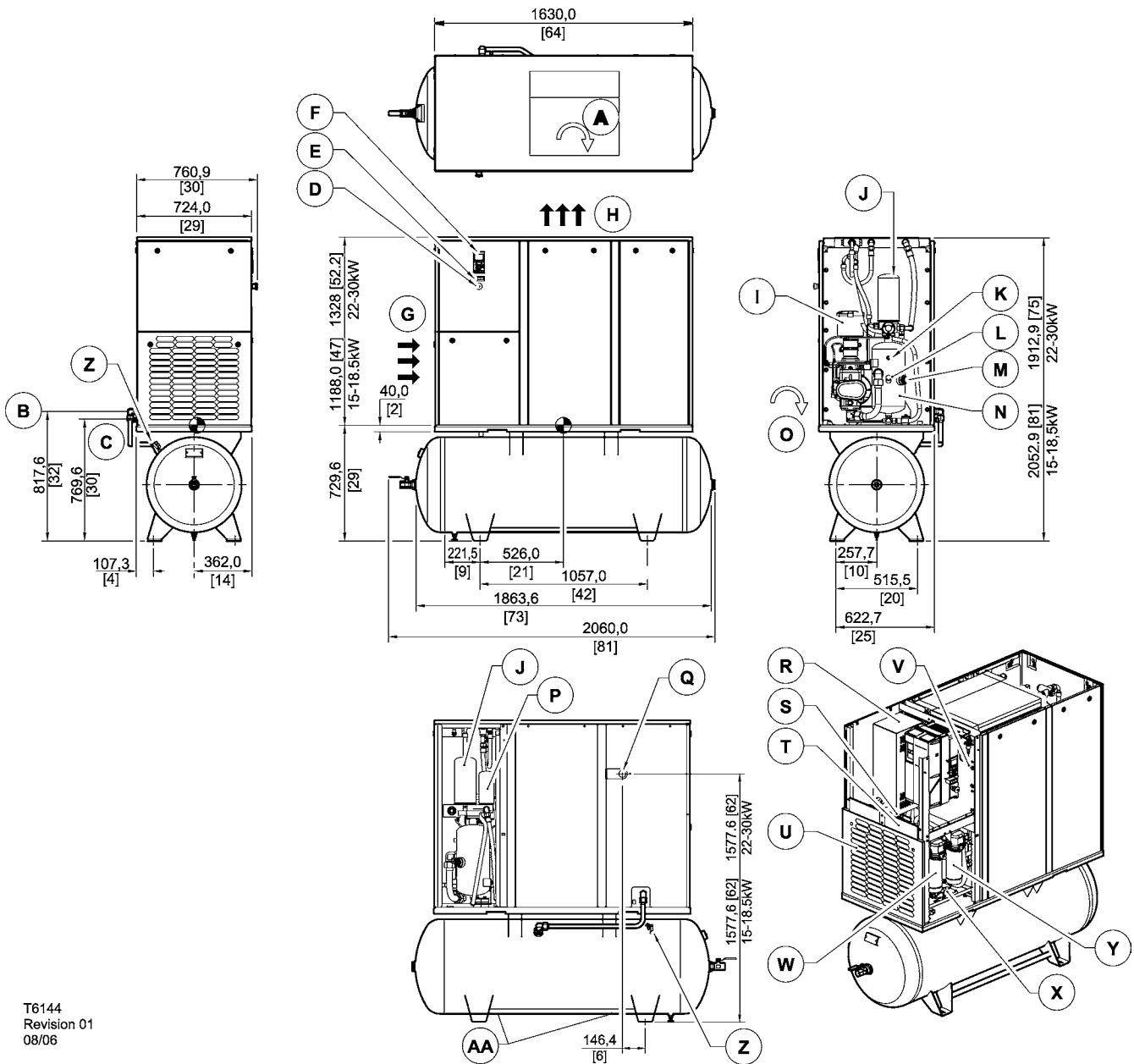
CLAVE

15-30 KW 500 LITROS

- | | |
|---|---|
| A Giro del ventilador | P Filtro del refrigerante |
| B Ubicación de la descarga de aire | Q Conexiones de potencia de entrada |
| C Ubicación del drenaje | R Panel de acceso a los controles/fusibles eléctricos |
| D Botón de parada de emergencia | S Válvula en derivación |
| E Indicador de punto de rocío del secador | T Secador integrado (Opcional) |
| F Ubicación de la transmisión | U Paquete pre-filtro |
| G Admisión de aire | V Transmisión |
| H Escape de aire | W Filtro uso general del secador |
| I Filtro de entrada de aire | X Válvula de drenaje eléctrica |
| J Elemento del separador de refrigerante | Y Filtro alta eficiencia del secador |
| K Válvula de seguridad del recipiente de almacenamiento | Z Válvula de seguridad del receptor |
| L Abastecimiento del refrigerante | AA Puntos de elevación del paquete |
| M Visor indicador del nivel del refrigerante | |
| N Tanque separador | |
| O Giro del motor de accionamiento | |



Centro de gravedad



T6144
Revision 01
08/06

CLAVE

15-30 KW 750 LITROS

- A Giro del ventilador
- B Ubicación de la descarga de aire
- C Ubicación del drenaje
- D Botón de parada de emergencia
- E Indicador de punto de rocío del secador
- F Ubicación de la transmisión
- G Admisión de aire
- H Escape de aire
- I Filtro de entrada de aire
- J Elemento del separador de refrigerante
- K Válvula de seguridad del recipiente de almacenamiento
- L Abastecimiento del refrigerante
- M Visor indicador del nivel del refrigerante
- N Tanque separador
- O Giro del motor de accionamiento
- P Filtro del refrigerante
- Q Conexiones de potencia de entrada
- R Panel de acceso a los controles/fusibles eléctricos
- S Válvula en derivación
- T Secador integrado (Opcional)
- U Paquete pre-filtro
- V Transmisión
- W Filtro uso general del secador
- X Válvula de drenaje eléctrica
- Y Filtro alta eficiencia del secador
- Z Válvula de seguridad del receptor
- AA Puntos de elevación del paquete



Centro de gravedad

NOTAS

- 1 Los cimientos y el suelo deberán estar nivelados además de soportar todos los apoyos igualmente. Si fuere necesario, aplique suplemento o mortero al cuarto apoyo.
- 2 Los pernos de los cimientos deberán sobresalir por las tuercas un mínimo de 13 mm [0,50"] para permitir la nivelación.
- 3 Permita un mínimo de espacio libre de 1.100 mm (42") en el frente y de 920 mm (36") en la parte superior, izquierda, derecha y posterior del paquete, para una circulación de aire y operabilidad apropiadas.
- 4 Peso aproximado del paquete: 475 KG. (1045 LBS)

NOTA

Todas las dimensiones se expresan en milímetros (pulgadas) a menos que se indiquen de otro modo.

Cerciorarse de que se usan las ranuras o los puntos de elevación marcados de la carretilla elevadora que sean los correctos siempre que se eleve o transporte la máquina.

DESEMBALAJE

Normalmente el compresor se entrega con un envoltorio de polietileno. Si se ha de usar un cuchillo para quitar este envoltorio tenga cuidado de no dañar la pintura exterior del compresor.

Retirar los tornillos de transporte del panel final.

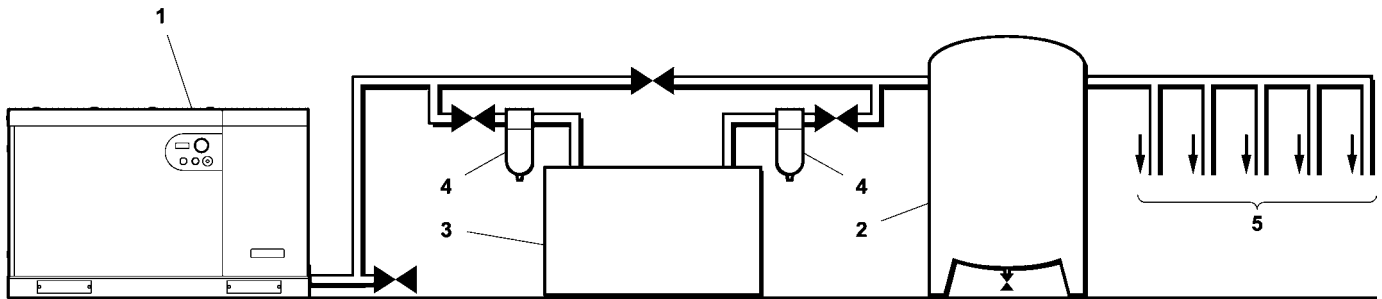
Cerciorarse de que todos los materiales utilizados para el transporte y embalaje se desechen de la manera prescrita por los códigos locales.

INSTALACIÓN DEL SECADOR

No conectar desagües de condensado en común con otros conductos de desagüe presurizados en un circuito cerrado. Cerciorarse de que la salida desde los desagües del condensado no se obstaculice. Conectar los conductos del condensado de forma que se mantengan los niveles seguros al mínimo durante el desagüe. Cerciorarse de que el condensado se elimina de manera responsable de conformidad con las normas locales de protección del medio ambiente.

El aire ambiental alrededor del secador y del compresor no ha de contener contaminantes sólidos ni gaseosos. Todos los gases comprimidos y condensados pueden generar ácidos o productos químicos que pueden dañar el compresor o los componentes del interior del secador.

Adoptar medidas especiales con el azufre, amoníaco, cloro e instalaciones en entornos marinos. Para mayor asesoramiento o asistencia, consulten al representante local de Ingersoll Rand.



T6035
Revision 00
10/04

CLAVE

- 1. Compresor
- 2. Colector de aire
- 3. Secador de aire
- 4. Filtros de aire comprimido
- 5. Puntos de demanda del sistema

AVISO

Los elementos [2] a [5] son opcionales o pueden ser elementos existentes de la planta. Dirigirse a su distribuidor o representante de Ingersoll Rand para recomendaciones específicas.

UBICACION EN LA PLANTA

El compresor se puede instalar sobre cualquier suelo nivelado capaz de soportarlo. Se recomienda que la zona esté seca y bien ventilada y cota atmosférica esté limpia. Deberá dejarse una separación mínima de 1 m (3ft) alrededor de la máquina para que haya fácil acceso para servicio y una ventilación adecuada.

Hay que tener adecuado lugar libre alrededor de la máquina para hacer sin estorbo las tareas indicadas de mantenimiento.

Cerciórese de situar la máquina con seguridad sobre una superficie firme. Elimínese por medios apropiados cualquier posibilidad de que la máquina se mueva, especialmente para que no se esfuerce ninguna tubería rígida de descarga.

PRECAUCION

Los compresores [1] tipo tornillo no deben instalarse en sistemas de aire con compresores alternativos sin medios de independización, tal como un tanque colector común. Se recomienda que ambos tipos de compresor se conecten a un colector común utilizando tuberías de aire independientes.

PRECAUCION

El empleo de recipientes de plástico en filtros de conductos o en otros componentes de los conductos de aire de plástico puede resultar peligroso. Su seguridad puede verse afectada bien sea por refrigerantes sintéticos o por aditivos utilizados en aceites minerales. Ingersoll Rand recomienda utilizar sólo recipientes de metal en sistemas sometidos a presión.

PRECAUCION

El compresor básico o el paquete del sistema de aire completo no es apto para operar con temperaturas que puedan causar congelamiento, ya que se puede producir agua del condensado en el post-enfriador y en el recipiente de almacenamiento, si están colocados.

Dirigirse a su distribuidor Ingersoll Rand para más información

TUBERIA DE DESCARGA

La tubería de descarga debe ser por lo menos de igual diámetro que la conexión de la descarga del compresor. Todas las tuberías y accesorios deben tener unas características nominales adecuadas a la presión de descarga.

Es esencial cuando se instala un nuevo compresor [1], revisar el sistema de aire completo. Esto sirve para conseguir un sistema seguro y efectivo. Un punto que debe ser tenido en cuenta es el arrastre de líquido. La instalación de secadores de aire [3], es siempre una buena práctica ya que seleccionados e instalados correctamente pueden reducir el arrastre de líquido a cero.

Es una buena práctica colocar una válvula de aislamiento cerca del compresor e instalar filtros en la tubería [4].

Si ha comprado un modelo TAS, su conjunto de compresión ya incluye los elementos [1], [3] y [4].

Tratándose de secadores de aire cubiertos por Aircare, es un requisito instalar filtros previos y posteriores de Ingersoll Rand de medidas correctas.

60/50Hz	IRN 20HP / 15 kW		IRN 25HP / 18.5 kW	
	TAS	Sin TAS	TAS	Sin TAS
COMPRESOR				
Presión nominal PSIG (bar)	150 (10.34)		150 (10.34)	
Magnitud de caudal @ 150 PSIG (10,3 bar) ACFM (m ³ /MIN) ^{1, 4}	75 (2.12)	77 (2.18)	92 (2.61)	94 (2.66)
Magnitud de caudal @ 125 PSIG (8,6 bar) ACFM (m ³ /MIN) ^{2, 4}	80 (2.27)	83 (2.35)	99 (2.80)	102 (2.89)
Medida del gasto @ 115 PSIG (8 bar) ACFM (m ³ /MIN) ^{3, 4}	84 (2.38)	87 (2.46)	105 (2.97)	108 (3.06)
Temperatura de descarga de la unidad compresora	228°F (109°C) Punto de disparo			
Temperatura ambiente de trabajo (mínima) a (máxima)	35°F (+2°C) → 104°F (+40°C)			
MOTOR				
Potencia nominal	20HP / 15kW		25HP / 18.5kW	
Arrollamiento F	F			
REFRIGERADOR – Refrigeración por aire				
Corriente volumétrica de aire refrigerante mediante motor de ventilador separado	1900ft ³ /min (53.8m ³ /min)			
Presión libre para conductos de aire	0.25 inWg (6.4mmH ₂ O)			
Temperatura de salida del aire comprimido dif. ΔT	N/A	15°F (8.3°C)	N/A	20°F (11°C)
DATOS GENERALES				
Volumen de separación	1.8 gallons (7 litros)			
Capacidad de refrigerante	3.4 gallons (13 litros)			
Peso – Unidad con base montada	1350 lbs (612 kg)			
Peso – Unidad de 120 galones con depósito montado	1720 lbs (780 kg)			
Peso – Unidad de 240 galones con depósito montado	1891 lbs (858 kg)			
Peso – Unidad de 500 litros con depósito montado	1772 lbs (804 kg)			
Peso – Unidad de 750 litros con depósito montado	1891 lbs (858 kg)			
DATOS TÉCNICOS DEL SECADOR		50 / 60Hz		
Clase de protección eléctrica (std)	NEMA 1 (IP 20)			
Carga del refrigerante de fábrica (oz/g)	23.5 oz 667 g			
Tipo de refrigeración	134 A			

- 1 Suponiendo un descenso de presión de 5 psi (0,34 bar) a través del módulo TAS.
- 2 Suponiendo un descenso de presión de 8 psi (0,55 bar) a través del módulo TAS.
- 3 Suponiendo un descenso de presión de 9 psi (0,62 bar) a través del módulo TAS.
- 4 La magnitud de caudal descenderá a medida que DP a través del módulo TAS aumente.

DATOS ELECTRICOS – TODAS LAS UNIDADES UNIGY 20HP / 15kW					
Tensión estándar	Baja tensión		Alta tensión		
	208V	230V	380V	400V	460V
Motor de accionamiento					
Protección motor de accionamiento	IP65				
Potencia	20HP / 15kW				
Corriente a plena carga (máxima)	58.3	52.7	31.9	30.3	26.3
Frecuencia de maniobras	20				
DATOS ELECTRICOS					
Tensión de control	24VDC				
Capacidad máxima del fusible Vea la nota 1, 3	100A	90A	50A	50A	45A
Medida mínima de cables AWG (mm ²) Véase la nota 2, 3	4 (25)	4 (25)	8 (10)	8 (10)	8 (10)

DATOS ELECTRICOS – TODAS LAS UNIDADES UNIGY 25HP / 18.5kW					
Tensión estándar	Baja tensión		Alta tensión		
	208V	230V	380V	400V	460V
Motor de accionamiento					
Protección motor de accionamiento	IP65				
Potencia	25HP / 18.5kW				
Corriente a plena carga (máxima)	73.2A	63.7A	40.2A	38.2A	33.2A
Frecuencia de maniobras	20				
DATOS ELECTRICOS					
Tensión de control	24VDC				
Capacidad máxima del fusible Vea la nota 1, 3	125A	100A	70A	60A	50A
Medida mínima de cables AWG (mm ²) Véase la nota 2, 3	3 (35)	4 (25)	6 (16)	6 (16)	8 (10)

1. El tipo y régimen correctos del fusible de entrada de línea DEBERAN montarse en el aislador o interruptor del cliente, cerca del compresor.

Acción rápida Clase – J, T o tipo semiconductor. Limitador de corriente, régimen de interrupción – 200.000 Amperios RMS SYM. Puede usarse un fusible

alternativo si las características de tiempo y corriente son más rápidas que los fusibles recomendados en esta sección.

2. Tipo PVC/PVC Calculado usando las siguientes condiciones:

-) Cable aislado de PVC, blindado, conductores de cobre.
- ii) Cable grapado a una pared, al aire libre.
- iii) Temperatura ambiente de 40°C (104°F) y humedad relativa de 40%.
- iv) Recorrido de cable de 20m (65ft).
- v) Caída de tensión limitada a –10% durante el arranque, –4% durante el funcionamiento normal.
- vi) Protección mediante fusible arriba indicado.

3. Aplique siempre los códigos eléctricos locales para dimensionar los cables y proteger los fusibles.

Si se produce alguna variación con respecto a lo anterior, o son aplicables normas especiales, la instalación ha de planificarla un técnico competente y cualificado.

AVISO
¡Los datos técnicos son válidos exclusivamente para la versión estándar!

60/50Hz	IRN 30HP/ 22 kW		IRN 40HP / 30 kW	
	TAS	Sin TAS	TAS	Sin TAS

COMPRESOR				
Presión nominal PSIG (bar)	150 (10.34)		150 (10.34)	
Magnitud de caudal @ 150 PSIG (10,3 bar) ACFM (m ³ /MIN) ^{1, 4}	109 (3.09)	112 (3.17)	142 (4.02)	146 (4.14)
Magnitud de caudal @ 125 PSIG (8,6 bar) ACFM (m ³ /MIN) ^{2, 4}	120 (3.40)	125 (3.54)	152 (4.31)	158 (4.48)
Medida del gasto @ 115 PSIG (8 bar) ACFM (m ³ /MIN) ^{3, 4}	125 (3.54)	130 (3.68)	158 (4.48)	164 (4.65)
Temperatura de descarga de la unidad compresora	228°F (109°C) Punto de disparo			
Temperatura ambiente de trabajo (mínima) a (máxima)	35°F (+2°C) → 104°F (+40°C)			

MOTOR		
Potencia nominal	30HP / 22kW	40HP / 30kW
Arrollamiento F	F	

REFRIGERADOR – Refrigeración por aire				
Corriente volumétrica de aire refrigerante mediante motor de ventilador separado	2700ft ³ /min (76.5m ³ /min)			
Presión libre para conductos de aire	0.25 inWg (6.4mmH ₂ O)			
Temperatura de salida del aire comprimido dif. ΔT	N/A	15°F (8.3°C)	N/A	20°F (11°C)

DATOS GENERALES	
Volumen de separación	2.8 gallons (10.7 litros)
Capacidad de refrigerante	5.5 gallons (21 litros)
Peso – Unidad con base montada	1350 lbs (612 kg)
Peso – Unidad de 120 galones con depósito montado	1720 lbs (780 kg)
Peso – Unidad de 240 galones con depósito montado	1891 lbs (858 kg)
Peso – Unidad de 500 litros con depósito montado	1772 lbs (804 kg)
Peso – Unidad de 750 litros con depósito montado	1891 lbs (858 kg)

DATOS TÉCNICOS DEL SECADOR	50 / 60Hz
Clase de protección eléctrica (std)	NEMA 1 (IP 20)
Carga del refrigerante de fábrica (oz/g)	45 oz 1.27 kg
Tipo de refrigeración	134 A

- 1 Suponiendo un descenso de presión de 6 psi (0,4 bar) a través del módulo TAS.
- 2 Suponiendo un descenso de presión de 9 psi (0,62 bar) a través del módulo TAS.
- 3 Suponiendo un descenso de presión de 10 psi (0,69 bar) a través del módulo TAS.
- 4 La magnitud de caudal descenderá a medida que DP a través del módulo TAS aumente.

DATOS ELECTRICOS – TODAS LAS UNIDADES UNIGY 30HP / 22kW					
Tensión estándar	Baja tensión		Alta tensión		
	208V	230V	380V	400V	460V
Motor de accionamiento					
Protección motor de accionamiento	IP65				
Potencia	20HP / 15kW				
Corriente a plena carga (máxima)	91	82	50	47	41
Frecuencia de maniobras	20				
DATOS ELECTRICOS					
Tensión de control	24VDC				
Capacidad máxima del fusible Vea la nota 1, 3	150A	125A	75A	75A	70A
Medida mínima de cables AWG (mm ²) Véase la nota 2, 3	2 (32)	2 (32)	6 (16)	6 (16)	6 (16)

DATOS ELECTRICOS – TODAS LAS UNIDADES UNIGY 40HP / 30kW					
Tensión estándar	Baja tensión		Alta tensión		
	208V	230V	380V	400V	460V
Motor de accionamiento					
Protección motor de accionamiento	IP65				
Potencia	25HP / 18.5kW				
Corriente a plena carga (máxima)	122A	110A	66.5A	63A	55A
Frecuencia de maniobras	20				
DATOS ELECTRICOS					
Tensión de control	24VDC				
Capacidad máxima del fusible Vea la nota 1, 3	200A	200A	125A	100A	80A
Medida mínima de cables AWG (mm ²) Véase la nota 2, 3	2/0 (70)	2/0 (70)	4 (25)	4 (25)	4 (25)

1. El tipo y régimen correctos del fusible de entrada de línea DEBERAN montarse en el aislador o interruptor del cliente, cerca del compresor.

Acción rápida Clase – J, T o tipo semiconductor. Limitador de corriente, régimen de interrupción – 200.000 Amperios RMS SYM. Puede usarse un fusible

alternativo si las características de tiempo y corriente son más rápidas que los fusibles recomendados en esta sección.

2. Tipo PVC/PVC Calculado usando las siguientes condiciones:

-) Cable aislado de PVC, blindado, conductores de cobre.
- ii) Cable grapado a una pared, al aire libre.
- iii) Temperatura ambiente de 40°C (104°F) y humedad relativa de 40%.
- iv) Recorrido de cable de 20m (65ft).
- v) Caída de tensión limitada a –10% durante el arranque, –4% durante el funcionamiento normal.
- vi) Protección mediante fusible arriba indicado.

3. Aplique siempre los códigos eléctricos locales para dimensionar los cables y proteger los fusibles.

Si se produce alguna variación con respecto a lo anterior, o son aplicables normas especiales, la instalación ha de planificarla un técnico competente y cualificado.

AVISO
¡Los datos técnicos son válidos exclusivamente para la versión estándar!

CARACTERISTICAS ELECTRICAS

Deberá instalarse junto al compresor un aislador o desconectador eléctrico independiente.

Los cables/hilos alimentadores deberán ser dimensionados por el cliente/contratista electricista para asegurarse de que los circuitos sean equilibrados y no sobrecargados por otros equipos eléctricos. La longitud del cableado desde un punto adecuado de alimentación eléctrica resulta crítica dado que las caídas de tensión pueden perjudicar el rendimiento del compresor.

Las conexiones de los cables/hilos alimentadores al aislador o desconectador deberán estar bien apretadas y limpias.

La tensión de alimentación debe estar en consonancia con los valores nominales de la placa de características del motor y el compresor.

No usar un transformador de disminuir o aumentar la tensión de la alimentación.

PRECAUCION

Nunca comprobar la resistencia de aislamiento de cualquier parte de los circuitos de las máquinas, el motor incluido, sin desconectar por completo el controlador electrónico (si se ha instalado).

PRECAUCIÓN

No verificar la refrigeración simplemente con la dirección de la corriente volumétrica de aire, sino asegurarse de que el ventilador rote en la dirección correcta, como lo indican las flechas.

NOTAS

¡ el compresor está instalado para aplicaciones a 208V 60Hz o 380V 60Hz, debe cambiarse el cableado de entrada al primario del transformador durante la instalación.

OPCIÓN DE MODIFICACIÓN AL AIRE LIBRE

Directiva de la UE 2000/14/CE. Emisiones sonoras debidas a las máquinas de uso al aire libre

Los paquetes compresores estándar no son adecuados para su uso al aire libre. Si se aplica la opción de modificación al aire libre a una máquina que se va a poner en funcionamiento dentro de la UE, la máquina no estará destinada para su uso como equipo de arrendamiento, ni para cambiarse de sitio. Debe instalarse como maquinaria fija no destinada a cambiarse de sitio durante su vida operativa (por ejemplo, un compresor fijado permanentemente fuera de un edificio) y, por eso, queda excluida de la directiva.

Esta exclusión se basa en que la máquina forma parte permanente de una fábrica o instalación, y en que se le aplican las normativas locales de regulación sonora en lugar de la directiva.

FUNCIONAMIENTO GENERAL

El compresor es un equipo conducido por un motor eléctrico, de simple etapa, de tipo tornillo, completo con accesorios para tuberías, cableado y montado sobre una placa base. Es un conjunto de compresión de aire totalmente equipado.

El compresor estándar se ha concebido para funcionar dentro de una gama de temperaturas ambiente de 35,6°F – 104°F (2°C a 40°C). La temperatura máxima aplicable a una altitud máxima hasta de 3.280 pies (1.000 m) sobre el nivel del mar. Por encima de esta altitud, se requiere una reducción significativa de la máxima temperatura ambiental permisible.

La compresión en un compresor de aire tipo tornillo está creada por el entrelazado de dos rotores helicoidales (Macho y Hembra).

La mezcla de aire y refrigerante, descarga del compresor en el sistema de separación. El sistema extrae todo el refrigerante, excepto unas pocas PPM, del aire de descarga. El refrigerante se devuelve al sistema refrigerante y el aire pasa a través del postrefrigerador y fuera del compresor.

El aire refrigerante es desplazado por los refrigeradores mediante el ventilador de refrigeración y se descarga de la máquina.

ADVERTENCIA

Esta unidad está equipada con un control automático de ventilador de refrigeración. El ventilador de refrigeración del paquete operará independientemente del módulo de compresión. El ventilador puede operar en modo de rearmado automático cuando el compresor está parado o cuando el selector de encendido y apagado está en la posición "apagado" con la parada de emergencia desconectada.

PRECAUCION

El aire refrigerante se aspira por la parte trasera de la máquina y pasa por el filtro y el refrigerador antes de ser descargado por la parte superior de la máquina. Deberá tenerse el cuidado de no bloquear el flujo de aire o de originar cualquier restricción que supere la contrapresión máxima para que circule por los conductos. No dirigir el flujo de aire hacia la cara ni hacia los ojos.

La transmisión de potencia desde el motor de accionamiento al rotor macho de la unidad compresora se realiza mediante accionamiento directo.

Enfriando el aire de descarga, se condensa una buena parte del vapor de agua contenido de una forma natural en el aire, pudiéndose drenar las tuberías y equipos corriente abajo.

El sistema de refrigeración consta de un cárter, un enfriador, una válvula thermostatic y un filtro. Cuando el equipo está en funcionamiento, el refrigerante es presurizado y forzado hacia los cojinetes del compresor.

El sistema de control de carga del compresor **se para y se pone en marcha automáticamente, con control seleccionable de velocidad variable**. Esto permite al compresor mantener una presión en línea de descarga establecida, variando la capacidad de salida para adaptarse a la demanda del sistema. Esta unidad está equipada con un sistema automático de parada y rearmado para el uso en plantas donde la demanda de aire varía lo suficiente como para permitir que un compresor se pare y ahorre energía. Un volumen significativo del sistema lo asistirá y es recomendable.

ADVERTENCIA

Cuando la máquina cesa de funcionar como consecuencia de la baja demanda de aire, puede ponerse en marcha otra vez y volver a cargar en cualquier momento.

PRECAUCIÓN**APLICACIONES DE BAJA DEMANDA**

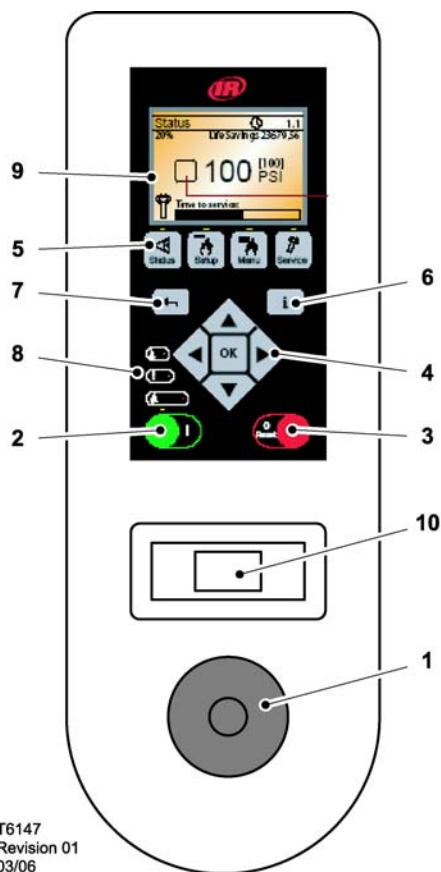
Durante los períodos de baja demanda, es posible que el compresor no alcance su temperatura normal de funcionamiento. Un funcionamiento continuado con baja demanda puede provocar la formación de condensado en el refrigerante. Si esto ocurre, las características lubricantes del refrigerante pueden perjudicarse, lo que puede provocar daños en el compresor.

DEBE PERMITIRSE QUE EL COMPRESOR TENGA UN PROLONGADO TIEMPO DE FUNCIONAMIENTO CON CARGA.

Se provee seguridad de funcionamiento ya que el compresor se parará si se experimentan condiciones de excesivas temperaturas o de sobrecargas eléctricas.

PRECAUCION

Esta unidad no se ha diseñado ni propuesto para funcionar cuando esté contaminada de silicona. Los lubricantes, grasas y otros productos que contengan silicona no deberán utilizarse con esta unidad.



T6147
Revision 01
03/06

1. EMERGENCY STOP (PARADA DE EMERGENCIA)

Al pulsar este interruptor se para el compresor inmediatamente. El compresor no puede rearmar hasta que se reinicie el interruptor manualmente. Gírelo en dirección horaria para reiniciarlo.

En el reinicio, el controlador mostrará un mensaje indicando que el compresor está a punto para arrancar.

2. TECLA START (ARRANQUE)

Al pulsar esta tecla arrancará el compresor.

3. TECLA STOP/RESET (PARADA / REINICIO)

Al pulsar esta tecla se parará el compresor.

4. TECLAS DE NAVEGACIÓN

Estas teclas se utilizan para navegar por los elementos de una lista y para cambiar los valores.

5. TECLAS DE VISUALIZACIÓN

6. INFORMACIÓN KEY

Esta tecla proporciona información adicional para la visualización actual, el modo de funcionamiento o el estado de alarma / advertencia.

7. TECLA DE NAVEGACIÓN HACIA ATRÁS

Pulse esta tecla para volver a la pantalla de visualización de Estado por defecto al navegar por las pantallas. Esta tecla también se utiliza para salir de los parámetros sin realizar cambios en los valores.

8. LED INDICADORES DE ESTADO

POWER ON (ACTIVACIÓN): La máquina se activa.

WARNING (ADVERTENCIA): Hay un problema o se acerca un intervalo de mantenimiento.

ALARM (ALARMA): Hay un estado de alarma presente. Durante una alarma, la máquina se para automáticamente. Cuando se haya corregido el estado de alarma, pulse la Tecla Stop/Reset (Parada / Reinicio) (nº 3) para rearmar la máquina.

9. LCD PANTALLA DE VISUALIZACIÓN

El contraste de la pantalla LCD se ajusta pulsando y manteniendo pulsada la tecla Status (Estado) y pulsando las teclas de navegación Up (Arriba) y Down (Abajo).

10. INDICADOR DE PUNTO DE ROCÍO (SÓLO SECADOR)

El verde indica un punto de rocío aceptable; el rojo, un punto de rocío por encima de los 10 °C (50 °F); y el azul, riesgo de congelamiento.

ANTES DEL ARRANQUE

1. Realizar una inspección visual de la máquina, cerciorarse de que todas las guardas están fijadas y que nada obstruye la ventilación adecuada de la máquina o el acceso libre a la misma.
2. Comprobar el nivel del refrigerante. Restablecerlo, si fuere necesario.
3. Cerciorarse de que está abierta la válvula principal de descarga.
4. Acoplar el aislador eléctrico o conectar. Se encenderá el indicador (8) de Potencia conectada, indicando que las tensiones de la línea y de control se hallan disponibles.
5. Comprobar el sentido de rotación al arrancar inicialmente o después de una interrupción del suministro de corriente.

ADVERTENCIA

Cerciorarse de que todas las tapas de protección se halen en su posición.

El escape del caudal de aire refrigerante puede contener desechos volantes. Debe usarse Protección de Seguridad en todo momento para evitar lesiones.

ARRANQUE

Pulse la tecla Start (Arranque). La máquina arrancará y a continuación se cargará automáticamente.

NOTA

Durante el funcionamiento normal, el ventilador funcionará cuando la máquina esté en marcha y seguirá funcionando durante un breve período de tiempo después de pararse la máquina. Si la máquina se para debido a una alarma o parada local o remota, el ventilador se parará con la máquina.

ADVERTENCIA

Si la máquina se para automáticamente, el extremo de aire, el tanque separador y el sistema de aceite pueden contener aire a una presión elevada y salir a la atmósfera. Esto puede verificarse desenroscando el tapón de llenado de refrigerante que dispone de un respiradero a través del cual se liberará a la atmósfera cualquier presión residual. Aguas abajo del separador aún puede haber presión del sistema que también debe eliminarse.

PARADA NORMAL

Pulse la tecla Parada / Reinicio.

PARADA DE EMERGENCIA

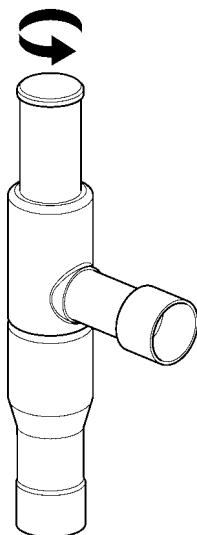
1. Pulse el botón de **PARADA DE EMERGENCIA** (1) y el compresor y el ventilador se pararán automáticamente. Este botón no debe utilizarse para parar durante el funcionamiento normal.

2. Desconectar el aislador eléctrico.

Antes de rearmar, identifique y corrija los fallos y asegúrese de que la máquina pueda funcionar de forma segura.

AJUSTE DEL PUNTO DE CONDENSACIÓN (SÓLO SECADOR)

El punto de condensación puede ajustarse por medio de la Válvula de Desvío de Gas Caliente (HGBV). Para reducir el punto de condensación girar el ajuste de la HGBV en sentido antihorario. En condiciones ambientales de 25°C (77°F) una presión del lado inferior de 1,8 barg (26,5 psig) 15 ±% puede producir un punto de condensación de 3°C (37°F). La reducción de la presión del lado inferior puede dar como resultado condiciones adversas de funcionamiento.



VISUALIZACIÓN DE ESTADO

La Visualización de Estado 1.1 es la visualización por defecto. Navegue por las otras pantallas de Estado pulsando una vez la tecla Visualización de Estado (Visualización de Estado) y a continuación pulsando las teclas de navegación Up (Arriba) o Down (Abajo).

Visualización de Estado 1.1

Visualización de Estado 1.1 proporciona la información siguiente:

- Presión de Descarga 100 – presión en el punto de descarga del paquete de compresor.
- Presión Deseada [100] – presión que el compresor trata de mantener al funcionar en modo VFD.
- Porcentaje de Carga – velocidad actual del motor / velocidad máxima del motor * 100%.
- Ahorro Energético durante toda la Vida Útil – un total acumulativo del ahorro energético, calculado cada hora. No puede reiniciarse.
- Indicador de Mantenimiento – una pantalla de gráfico de barras indicando un porcentaje de 0 a 100 % utilizado para indicar de forma continua el porcentaje de intervalo de mantenimiento restante hasta el próximo servicio que deba realizarse.

• Mensaje de Texto de Advertencia.

• Estado Operativo.

- i. En funcionamiento, indicado mostrando una flecha girando:



- ii. Parado, indicado sin mostrar ninguna flecha.

- iii. Parado en Rearranque Automático, indicado mostrando todas las flechas:



- iv. Arranque Programado / Parada Activada

Visualización de Estado 1.2

Visualización de Estado 1.2 proporciona la información siguiente:

- Presión de Descarga 100 – presión en el punto de descarga del paquete de compresor.
- Presión Deseada [100] – presión que el compresor trata de mantener al funcionar en modo VFD.

- Velocidad del Motor.

• Ahorro Energético – un total acumulativo, calculado cada hora, y puede reiniciarse seleccionando Reiniciar Ahorro Energético en los Puntos de Ajuste del Operador. Se calcula igual que el Ahorro Energético durante Toda la Vida Útil pero este valor acumulado puede reiniciarse.

• Indicador de Mantenimiento – una pantalla de gráfico de barras indicando un porcentaje de 0 a 100 % utilizado para indicar de forma continua el porcentaje de intervalo de mantenimiento restante hasta el próximo servicio que deba realizarse.

• Mensaje de Texto de Advertencia.

• Estado Operativo.

- i. En funcionamiento, indicado mostrando una flecha girando:



- ii. Parado, indicado sin mostrar ninguna flecha.

- iii. Parado en Rearranque Automático, indicado mostrando todas las flechas:



- iv. Arranque Programado / Parada Activada

Visualización de Estado 1.3

Visualización de Estado 1.3 proporciona la información siguiente:

• Presión de Descarga 100 – presión en el punto de descarga del paquete de compresor.

• Registro de la Pantalla de Presión (Coordenadas XY) de la Presión de Descarga y la Presión Deseada respecto al Tiempo.

• % de Carga – velocidad actual del motor / velocidad máxima del motor * 100%.

Visualización de Estado 1.4

Visualización de Estado 1.4 3 proporciona la información siguiente:

• % de Carga – velocidad actual del motor / velocidad máxima del motor * 100%.

• Registro de Pantalla % de Carga (Coordenadas XY) del % de Carga respecto al Tiempo.

• Presión de Descarga 100 – presión en el punto de descarga del paquete de compresor.

Visualización de Estado 1.5

Visualización de Estado 1.5 proporciona la información siguiente:

• Contador de horas – indica el número de horas que ha funcionado el motor del compresor a lo largo de toda su vida útil.

• Fecha y Hora Actuales.

• Hora de Arranque Programado.

• Hora de Parada Programada.

• Versión de Software.

• Información de Contacto de Servicio.

• % Carga – velocidad actual del motor / velocidad máxima del motor * 100%.

• Presión de Descarga 100 – presión en el punto de descarga del paquete de compresor.

PANTALLA DE AJUSTE

Pulse la tecla SETUP (AJUSTE) para ver y determinar los ajustes.

Pulse las teclas de flecha para ver los ajustes.

• Presión Deseada.

• Presión de Parada Automática.

• Modo VFD / Fijo.

• Arranque / Parada Programada.

• Hora de Arranque Programada.

- Hora de Parada Programada.
- Reinicio Ahorro Energético.

Cambie un valor destacando el elemento y su valor y pulsando la tecla SELECT (SELECCIONAR) para destacar sólo el valor. Cuando la línea de valor se destaca por sí misma, puede ajustarse el valor utilizando las teclas de flecha Up (Arriba) y Down (Abajo). En este momento aparecen las teclas CANCEL (CANCELAR) y SET (AJUSTAR). Pulse la tecla SET (AJUSTAR) para introducir el nuevo valor o pulse la tecla CANCEL (CANCELAR) para volver al valor del punto de ajuste antes de utilizar las flechas. El valor visualizado parpadeará dos veces para indicar que se ha introducido en el punto de ajuste y el par de líneas de visualización del valor y el elemento del punto de ajuste volverán a destacarse simultáneamente.

Si no se pulsa ninguna tecla antes de 30 segundos, se saldrá de la pantalla SETUP (AJUSTE) sin realizar ningún cambio y se volverá a la pantalla de Visualización de Estado por defecto.

PRESIÓN DESEADA

El compresor intentará funcionar con este ajuste de presión. Los márgenes de presiones y los tamaños de paso deseados para cada unidad de medición están listados en la tabla siguiente.

Unidad	Valor por Defecto	Mínimo	Máximo	Paso
PSI	115	65	150	1
BAR	8	4.5	10.3	0.1
KPa	793	45	1034	1

PRESIÓN DE PARADA AUTOMÁTICA

El compresor se parará una vez la presión del sistema suba hasta su presión y el compresor esté funcionando a la velocidad mínima. Esta presión de parada automática es una función de la presión deseada y está indicada como la presión de parada automática más un valor incremental (por ejemplo, 8 psi por encima de la presión deseada). Los márgenes de presiones de parada automática y las dimensiones de paso para cada unidad de medida se listan en la tabla siguiente.

Unidad	Valor por Defecto	Mínimo	Máximo	Paso
PSI	+10	+5	+10	1
BAR	+0.7	+0.3	+0.7	0.1
KPa	+69	+34	+69	1

MODO VFD / FIJO

La unidad puede ajustarse para funcionar en modo VFD o modo de velocidad Fija. Cuando la unidad esté funcionando en modo VFD, la unidad funcionará a su velocidad máxima permitida hasta que la presión de descarga alcance la Presión Deseada. Una vez se haya alcanzado la presión deseada, la unidad regulará la velocidad del compresor para mantener la presión de descarga al punto de ajuste de presión deseada. El compresor se parará si la presión de descarga alcanza el punto de ajuste de presión de parada automática. Si el compresor se para por esta razón, automáticamente reanudará cuando la presión del sistema pase a ser inferior a la Presión Deseada. Este modo de funcionamiento se llama "Parado en Rearranque Automático".

Si la unidad se ha ajustado para funcionar en modo de Velocidad Fija, la unidad funcionará a su velocidad máxima permitida hasta que la presión de descarga alcance la presión de parada automática. El compresor se parará si la presión de descarga alcanza el punto de ajuste de presión de parada automática. Si el compresor se para por esta razón, automáticamente reanudará cuando la presión del sistema pase a ser inferior a la Presión Deseada.

El modo VFD es el modo de funcionamiento por defecto.

ARRANQUE / PARADA PROGRAMADO

El arranque / parada programado es un modo de funcionamiento de arranque / parada automático que se basa en el tiempo real. Se utiliza una Hora de Arranque Programada para arrancar automáticamente el compresor cuando la hora actual sea igual a la Hora de Arranque Programada introducida para el punto de ajuste. Se utiliza una Hora de Parada Programada para detener automáticamente el compresor cuando la hora actual sea igual a la Hora de Parada Programada introducida para el punto de ajuste.

HORA DE ARRANQUE PROGRAMADA

Ésta es la entrada de Hora de Arranque Programada utilizada para el Arranque Programado del compresor. Cuando se active el modo de Arranque / Parada Programado, la hora actual sea igual a la entrada de punto de ajuste y el compresor no esté funcionando en ese momento, el compresor arrancará automáticamente. Este punto de ajuste es ajustable por el usuario seleccionando el valor temporal utilizando las teclas de flecha Left (Izquierda) y Right (Derecha) y desplazándose hasta el valor deseado utilizando las teclas de flecha Up (Arriba) y Down (Abajo).

HORA DE PARADA PROGRAMADA

Ésta es la entrada de Hora de Parada Programada utilizada para la Parada Programada del compresor. Cuando se active el modo de Arranque / Parada programado, la hora actual sea igual a la entrada de punto de ajuste y el compresor esté funcionando en ese momento, el compresor se parará automáticamente. Este punto de ajuste es ajustable por el usuario seleccionando el valor temporal utilizando las teclas de flecha Left (Izquierda) y Right (Derecha) y desplazándose hasta el valor deseado utilizando las teclas de flecha Up (Arriba) y Down (Abajo).

REINICIO AHORRO ENERGÉTICO

Esto reiniciará el Ahorro Energético almacenado, visualizará valores hasta 0, y empezará a calcular y almacenar nuevos valores desde este punto en adelante. Esto no reiniciará la pantalla de Ahorro Energético durante toda la Vida Útil.

PANTALLA DE MENÚ

Puede accederse a la pantalla de MENÚ pulsando la tecla MENU (MENÚ) debajo de la pantalla de visualización.

La pantalla de MENÚ es el punto desde el cual puede accederse a puntos de ajuste adicionales avanzados del paquete de compresor, es decir, variables ajustables por el usuario en la lógica del controlador.

El nombre y valor de cada uno de los puntos de ajuste listados puede verse en la pantalla desplazando la lista hacia arriba y abajo utilizando las teclas de flecha.

La lista de parámetros MENU (MENÚ) es la siguiente:

- Ajuste de Hora.
- Ajuste de Fecha
- PORO.
- Hora PORO.
- Control Remoto.
- Modbus.
- Dirección de Modbus.
- Velocidad de Transmisión Digital de Modbus.
- Tasa de Energía.
- Unidades de Medición [A-PSI, B-Bar/kPa].
- Idioma [A-Inglés, C-todos los demás].

Ajuste de Hora

Este parámetro se utiliza para ajustar el reloj interno a la hora correcta. Este parámetro es ajustable por el usuario seleccionando el valor temporal utilizando las teclas de flecha Izquierda y Derecha y desplazándose hasta el valor deseado utilizando las teclas de flecha Up (Arriba) y Down (Abajo)

Ajuste de Fecha

Este parámetro se utiliza para ajustar el reloj interno a la fecha apropiada. Este parámetro es ajustable por el usuario seleccionando el valor de fecha utilizando las teclas de flecha Left (Izquierda) y Right (Derecha) y desplazándose hasta el valor deseado utilizando las teclas de flecha Up (Arriba) and Down (Abajo).

PORO

Este parámetro se utiliza para ajustar las horas PORO.

Modbus

Este parámetro se utiliza para activar y desactivar el acceso a Modbus a través del puerto en serie.

Dirección de Modbus

Este parámetro se utiliza para ajustar la dirección de Modbus al valor deseado. Podría ser el valor decimal o hexadecimal.

Velocidad de Transmisión Digital de Modbus

Este parámetro se utiliza para ajustar la velocidad de transmisión digital de Modbus. Puede seleccionarse entre 9600 Baudios y la capacidad máxima de VFD. Tamaño de Paso de incrementos de Velocidad de Transmisión Digital Estándar. (9600, 19200, 38400, etc...).

Tasa de Energía

Este parámetro es la tasa de energía cargada localmente en el cálculo del Ahorro Energético. Es ajustable por el usuario seleccionando el valor de unidades utilizando las teclas de flecha Left (Izquierda) y Right (Derecha) desplazándose hasta el valor deseado utilizando las teclas de Flecha Up (Arriba) and Down (Abajo).

Unidades of Measure

Este parámetro se utiliza para seleccionar las unidades de ingeniería de presión deseadas, Psi, Bar, kPa. Cuando se cambian las unidades de medición, todas las pantallas mostrarán automáticamente los valores de presión en las unidades seleccionadas nuevamente.

Idioma

Este parámetro se utiliza para seleccionar entre los múltiples idiomas de visualización integrados.

PANTALLA DE SERVICIO

Sólo el personal de servicio autorizado puede acceder a la pantalla de servicio.

ALARMAS

Alarma de Interruptor de Temperatura del Aire Elevada (HATS) – Se produce en cualquier momento en el que se abra la entrada digital del Interruptor de Temperatura del Aire Elevada.

Fallo de Calibración del Sensor P1 – Alarma del Sensor de Presión P1 cuando se intente una Calibración de Sensor y la lectura de PSI cero (0) sea mayor que +/- 10%.

Fallo de Calibración del Sensor P2 – Alarma del Sensor de Presión P2 cuando se intente una Calibración de Sensor y la lectura de PSI cero (0) sea mayor que +/- 10%.

Fallo del Sensor de Presión P1 – Alarma cuando las lecturas actuales del sensor de presión P1 sean inferiores a 3mA o superiores a 21 mA.

Fallo del Sensor de Presión P2 – Alarma cuando las lecturas actuales del sensor de presión P2 sean inferiores a 3mA o superiores a 21 mA.

Parada de Emergencia – Alarma en cualquier momento en el que se abra la entrada digital de Parada de Emergencia.

Intellikey Incorrecta – Alarma – Si una Intellikey instalada no se corresponde con la dimensión de transmisión.

ADVERTENCIAS

Fallos de VFD – Códigos de Fallo de Transmisión – Todos los fallos de transmisión mostrarán un mensaje de error común con los códigos de error existentes.

Secador Parado con Presión Elevada – Advertencia – Éste es un estado que se detecta cuando el Secador está Activado y la entrada del Interruptor de Estado de Secador está abierta. El compresor sigue funcionando y muestra el mensaje de advertencia "Secador Parado con Presión Elevada".

Presión de Parada Inmediata Sobrepasada – Advertencia – Éste es un estado que se detecta cuando se ha sobrepasado la Presión de Parada Inmediata. Éste es un estado de advertencia que parará el compresor y automáticamente se reiniciará cuando la presión detectada pase a ser inferior a la Presión Deseada.

Presión Delta del Secador – Advertencia – Ésta es una condición que se detecta cuando se ha instalado un secador y la diferencia entre las lecturas de Presión Antes del Secador y Presión de Descarga del Paquete son superiores a 20 PSI. La máquina sigue funcionando en un modo de presión de velocidad y muestra el mensaje de advertencia "Secador con DP Elevado".

Revisión Próxima – El texto de advertencia "Revisión Próxima" debería aparecer en la zona de visualización de advertencia encima del gráfico de barras cuando quede un 20% o menos de tiempo de servicio, es decir, cuando falten menos de 400 horas de tiempo de funcionamiento del compresor o menos de 1752 horas de mantenimiento anual.

LED de Advertencia Intermitente – Durante una advertencia "Revisión Próxima", el LED de advertencia debería encenderse de forma intermitente cuando falten entre 1752 y 876 horas de mantenimiento anual antes del servicio.

LED de Advertencia Fijo – Durante una advertencia "Revisión Próxima", el LED de advertencia debería estar en estado fijo cuando falten menos de 200 horas de funcionamiento del compresor o menos de 876 horas de mantenimiento anual.

Debe Realizarse el Mantenimiento – Debería aparecer el mensaje de texto de advertencia "Debe Realizarse el Mantenimiento" en la zona de visualización de pantalla cuando en el temporizador de mantenimiento se lea cero.

PORO O Advertencia Programada – "Arranque del Compresor en XXX segundos" debería aparecer en la advertencia PORO. "Arranque Programado en XXX segundos" debería aparecer para la advertencia de arranque programado. XXX es el tiempo que queda antes del arranque real.

Programa de mantenimiento

PERÍODO	MANTENIMIENTO
Cada 24 horas de trabajo Inspeccionar visualmente la máquina Visual por si tiene fugas o acumulación de polvo y comprobar si produce ruidos o vibraciones inusuales. Cuando el compresor sea con depósito montado	Comprobar el nivel de refrigerante, rellenar si es necesario. Informar inmediatamente, contactar con el distribuidor autorizado de Ingersoll Rand en busca de ayuda en caso de duda Vaciar el condensado del recipiente almacenamiento del aire o comprobar que esté funcionando el desagüe automático.
Comprobar visualmente el estado del filtro previo	Limpiarlo con aire comprimido si se requiere
Primeras 150 horas	Cambiar el filtro de refrigerante.
Cada mes o 100 horas	Desmontar y limpiar el filtro previo de la unidad y cambiarlo si fuese necesario Revisar en el o los refrigeradores si hay acumulación de materias extrañas. Limpiar si es necesario con aire o agua a presión.
Cada 4 meses	CONDENSADOR Limpiar el polvo acumulado en las aletas del condensador. COMPRESOR Cerciorarse de que el consumo de energía del compresor cumple lo especificado en la chapa de datos.

PERÍODO	MANTENIMIENTO
Cada año o 2000 horas	Verificar el funcionamiento del interruptor de protección de alta temperatura del aire (109°C). Cambiar el filtro del refrigerante. Compruebe si el orificio de expulsión está bloqueado; límpielo si es necesario. Comprobación de motores con engrasadora - engrase los cojinetes según la placa de datos del motor Sustituir los elementos y los filtros IRGP y IRHE. Cambiar el cartucho del separador. Cambiar el elemento del filtro de aire. Tomar una muestra del refrigerante para análisis del líquido. Cambiar el filtro previo de la unidad. DESAGÜES DEL CONDENSADO Desmontar por completo los desagües y limpiar todos sus componentes.
Cada dos años o 8000 horas	Sustituir cada intervalo que ocurra primero. Inspeccionar y cambiar todos los elementos incluidos dentro del servicio de las 2000 horas.
Cada 4 años o 16000 horas	Cambiar el cojinete sellado en motores (sin engrasadora). Pele, limpie y vuelva a engrasar o cambie los cojinetes del motor con engrasadoras Montar puntas de contactores eléctricos de repuesto.

MANTENIMIENTO DE RUTINA

Esta sección se refiere a los componentes que requieren un mantenimiento y sustitución periódica.

Debería tenerse en cuenta que los intervalos entre necesidades de servicio pueden reducirse significativamente como consecuencia del mal ambiente de trabajo. Esto incluye efectos de contaminación atmosférica y extremos de temperaturas.

La **TABLA DE SERVICIO / MANTENIMIENTO** indica la descripción de los componentes y los intervalos en que el mantenimiento tiene que realizarse. La capacidad de los distintos tanques o depósitos, etc puede encontrarse en la sección **INFORMACION GENERAL** de este manual.

El aire comprimido puede ser peligroso si no se utiliza correctamente. Antes de realizar ningún tipo de trabajo en la unidad, asegúrese de que se ha liberado toda la presión del sistema y que la máquina no puede arrancar accidentalmente.

PRECAUCION: Antes de realizar cualquier trabajo de mantenimiento en el compresor, abrir, bloquear y precintar el interruptor de desconexión eléctrica principal y cerrar la válvula de aislamiento de la descarga del compresor. Ventilar la presión de la unidad abriendo lentamente una vuelta completa del tapón de llenado del refrigerante. Al desenroscar el tapón de llenado, se abre un agujero de ventilación taladrado sobre el tapón, permitiendo que la presión sea liberada a la atmósfera. No quitar el tapón de llenado hasta que se haya liberado toda la presión de la unidad a la atmósfera. Ventilar además los conductos abriendo ligeramente la válvula de vaciado. Al abrir la válvula de vaciado o el tapón de llenado, mantenerse alejado de la descarga de la válvula y llevar puesta la protección adecuada para los ojos.

Cerciorarse de que el personal de mantenimiento esté adecuadamente adiestrado, sea competente y lea los Manuales de Mantenimiento.

Antes de empezar cualquier tarea de mantenimiento, cerciórese de:-

que se alivie toda la presión de aire y se aisle de presiones el sistema. Si para ello se usa el purgador automático, hay que darle tiempo suficiente para efectuar el alivio total.

la máquina no se puede arrancar accidentalmente o de otro modo.

que se desconecten o aislen las fuentes de electricidad (batería y tomas de energía eléctrica).

Antes de abrir o quitar tapas o cubiertas para meter manos en la máquina, cerciórese de:-

que quienes pongan manos en la máquina sepan que están ahora más expuesto a tales riesgos como de tocar superficies calientes y movimientos intermitentes de mecanismos.

la máquina no se puede arrancar accidentalmente o de otro modo.

Antes de empezar alguna operación de mantenimiento en una máquina que está en marcha, cerciórese de:-**PELIGRO**

Sólo personas adecuadamente adiestradas y competentes deberán encargarse de tareas de mantenimiento estando el compresor funcionando o con la energía eléctrica conectada.

. Que sólo se hagan operaciones para las que sea necesario tener la máquina en marcha.

. Que, si se harán operaciones para las que se quitarán o suprimirán dispositivos de protección, sólo sean operaciones para las que sea necesario tener la máquina en marcha con dispositivos de seguridad suprimidos o quitados.

. Que estén conscientes de todos los peligros (p. ej. dispositivos con presión, piezas eléctricas con corriente, guardas, tapas y cubiertas quitadas, temperaturas extremas, aspiración y descarga de aire, piezas en movimiento intermitente, descarga por la válvula de seguridad, etc.).

. Que se use ropa y equipo de protección personal.

. Que se quiten o atajen pulseras, ropa suelta, cadenas, etc. y se recojan el cabello si lo tienen largo.

. Que se pongan letreros de prevención (p. ej. *Máquina Reparándose*) donde sean bien visibles.

Al terminar tareas de mantenimiento y antes de ponerse a trabajar, cerciórese de:--

- . Probar apropiadamente la máquina.
- . se han montado de nuevo y funcionan correctamente todas las defensas y dispositivos de protección de la seguridad.
- . Colocar todas las tapas y cerrar el capot y las compuertas.
- . Los materiales de riesgo se contienen y desechan eficazmente de manera que se cumplan los códigos locales o nacionales de protección del medio ambiente.

ADVERTENCIA

No abrir en ningún caso ninguna válvula ni desmontar componentes del compresor sin asegurar primero de que el compresor está COMPLETAMENTE PARADO, la alimentación desconectada y despresurizado todo el sistema de aire.

Verifique que el indicador de presión del secador y que las líneas del secador de ventilación tengan presión cero antes de la utilización.

PROCEDIMIENTO PARA RESTABLECER EL NIVEL DEL REFRIGERANTE

El depósito está diseñado para prevenir desbordamientos. Con la unidad en caliente parada de la forma normal, el nivel del visor indicador debe estar por la mitad. El nivel no debe bajar más de la parte inferior del visor indicador cuando esté en funcionamiento con una carga constante.

PRECAUCION

Cerciorarse de que se usa el nuevo refrigerante SSR ULTRA. De no hacerlo así, se invalidaría la garantía del fabricante.

PROCEDIMIENTO DE CAMBIO DEL REFRIGERANTE

Es mejor drenar el refrigerante inmediatamente después de que el compresor haya estado funcionando ya que el líquido drenará más fácilmente y cualquier contaminante permanecerá en suspensión en el mismo.

1. Parar la máquina, aislarla eléctricamente y disipar toda la presión atrapada.

2. Colocar un recipiente adecuado cerca de la válvula de purga.

3. Quitar lentamente el tapón de llenado/ventilación.

4. Quitar el tapón de la válvula de purga.

5. Abrir la válvula de purga y vaciar el refrigerante en el recipiente.

6. Cerrar la válvula de purga.

7. Montar de nuevo el tapón en la válvula de purga.

8. Reabastecer la máquina siguiendo el procedimiento "para reestablecer el nivel del refrigerante" descrito arriba. Luego del abastecimiento inicial para purgar las burbujas de aire atrapadas, la máquina debe estar en funcionamiento durante algunos minutos antes de verificar que el nivel es el correcto.

9. Restablecer el nivel según se requiera después de funcionar durante cinco minutos...

10. Montar de nuevo y apretar el tapón de llenado de aceite.

11. Eliminar los desperdicios correctamente.

PROCEDIMIENTO DE CAMBIO DEL FILTRO DE REFRIGERANTE

1. Parar la máquina, aislarla eléctricamente y disipar toda la presión atrapada.

2. Aflojar el filtro usando la herramienta correcta.

3. Retirar el filtro del alojamiento.

4. Meter el filtro usado en una bolsa hermética y desecharlo de forma segura.

5. Limpiar las superficies coincidentes del alojamiento teniendo cuidado de que no penetre partícula alguna en la máquina.

6. Extraer el nuevo filtro de repuesto de Ingersoll Rand de su paquete protector.

7. Aplicar una pequeña cantidad de lubricante en la junta de estanqueidad del filtro.

8. Enroscar el nuevo filtro hasta que la junta de estanqueidad haga contacto con el alojamiento y luego apretarlo media vuelta más con la mano.

9. Arrancar el compresor y comprobar las posibles fugas.

PROCEDIMIENTO DE CAMBIO DEL ELEMENTO DEL FILTRO

1. Parar la máquina, aislarla eléctricamente y disipar toda la presión atrapada.

2. Desenrosque la tuerca de retenida y retire el elemento antiguo.

3. Montar el nuevo elemento.

4. Colocar de nuevo la tapa de retención.

PROCEDIMIENTO DE CAMBIO DEL CARTUCHO DEL SEPARADOR

1. Parar la máquina, aislarla eléctricamente y disipar toda la presión atrapada.
2. Aflojar el cartucho del separador usando la herramienta correcta.
3. Retirar el cartucho de su alojamiento; meterlo en una bolsa hermética y desecharlo de forma segura.
4. Limpiar las superficies coincidentes del alojamiento.
5. Extraer el nuevo cartucho de repuesto de Ingersoll Rand de su paquete protector.
6. Aplicar una pequeña cantidad de lubricante en la junta de estanqueidad del cartucho.
7. Enroscar el nuevo cartucho hasta que la junta de estanqueidad haga contacto con el alojamiento y luego apretarlo media vuelta más con la mano.
8. Poner en marcha el compresor y inspeccionarlo por si tiene fugas.

PRECAUCION

Esta unidad no se ha diseñado ni propuesto para funcionar cuando esté contaminada de silicona. Los lubricantes, grasas y otros productos que contengan silicona no deberán utilizarse con esta unidad.

PROCEDIMIENTO DE LIMPIEZA DEL REFRIGERADOR

1. Parar la máquina, aislarla eléctricamente y disipar toda la presión atrapada.
2. Quitar la tapa trasera para lograr acceso al refrigerador.

VALVULA ELECTRICA DE VACIADO

DESCRIPCION DEL PRODUCTO

La válvula eléctrica de vaciado elimina toda condensación de agua y aceite del tanque colector. Pueden instalarse desagües adicionales en la totalidad del sistema de aire comprimido, incluyendo postrefrigeradores, filtros, tuberías de vaciado del condensado y secadores.

La válvula eléctrica de vaciado opera bajo un temporizador que puede regularse para que vacíe automáticamente el tanque colector de aire a intervalos designados por el operador.

Las características clave incluyen:

- 100% trabajo continuo
- Envoltente según NEMA 4
- Tiempo regulable encendido (0.5 – 10 segundos)
- Tiempo regulable apagado (0.5 – 45 minutos)
- Operador de acero inoxidable
- Diodo emisor de luz (LED) para indicar que la corriente eléctrica está conectada
- Diodo emisor de luz (LED) para indicar que la válvula está abierta
- Sobremultiplicador manual

3. Limpiar el refrigerador, aplicando un chorro de aire para eliminar los residuos hacia fuera y lejos de la unidad.

4. Montar todo otra vez siguiendo el orden inverso.

AJUSTE DEL TRANSDUCTOR DE PRESION (PT)

COMPROBACION DE LA PRESION MAXIMA DE DESCARGA (Punto de disparo superior del transductor de presión)

Cerrar lentamente la válvula de aislamiento situada junto al compresor. Observar el aumento de la presión y cerciorarse de que el transductor de presión se abre con la presión máxima correcta de descarga.

La presión máxima de descarga se muestra en la chapa de datos de la máquina.

NUNCA deberán excederse estos valores.

El compresor se parará una vez que la presión del sistema alcance esta presión.

VERIFICAR LA PRESIÓN DESEADA

Observe disminuir la presión del conducto y registre el punto en el que el transductor de presión se cierra (y pone en funcionamiento el compresor).

AJUSTAR LA PRESIÓN DESEADA

Quitar el panel de la envoltente de la unidad compresora y localizar el potenciómetro. Girar el botón ajustador del potenciómetro en sentido horario para incrementar el punto fijo o en sentido contrario para disminuirlo.

CONVERSION DE LA UNIDAD DE MODO DE VELOCIDAD VARIABLE A MODO DE VELOCIDAD FIJA.

Quitar el panel de la envoltente de la unidad compresora y localizar el conmutador. Dado que el conmutador es de 2 posiciones, alterne simplemente la posición para variar el modo.

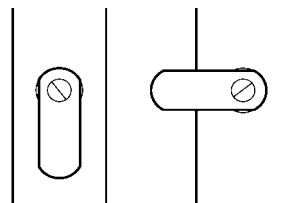
FUNCIONAMIENTO

1. Abrir la válvula esférica del purificador.

Válvula esférica del purificador

ABIERTA

CERRADA



2. Ajustar los botones de tiempo "apagado" y "tiempo encendido". Véanse los AJUSTES DEL TEMPORIZADOR (abajo) para una explicación de los valores.

3. Durante el funcionamiento del compresor, comprobar si hay fugas de aire.

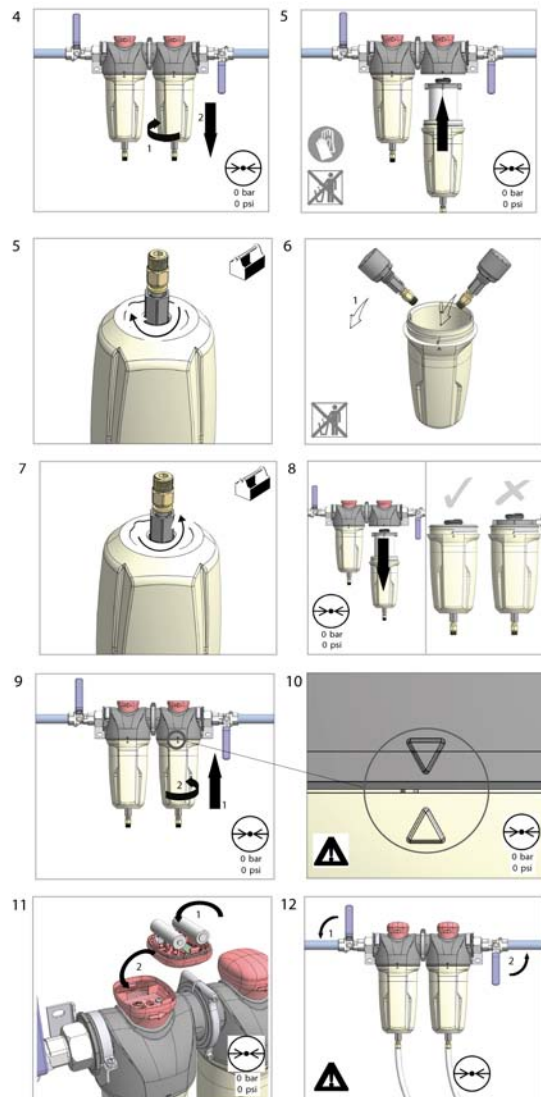
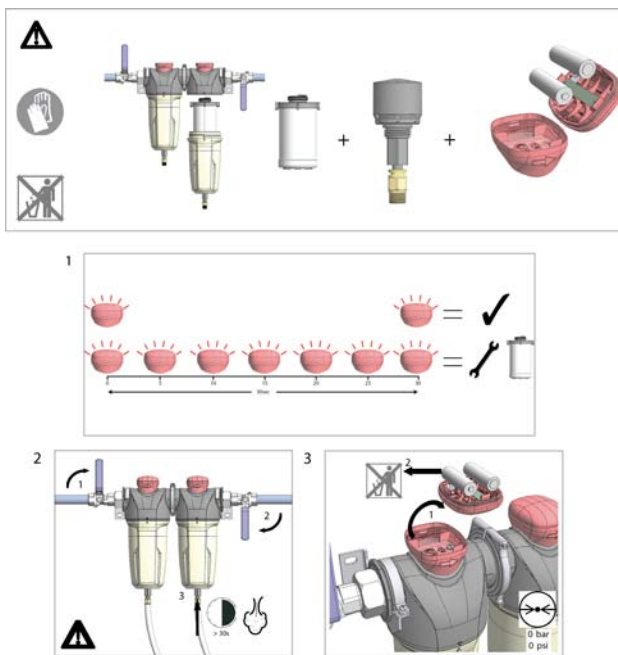
AJUSTES DEL TEMPORIZADOR

El ajuste de "tiempo apagado" determina el intervalo entre ciclos desde 30 segundos hasta 45 minutos. El ajuste del "tiempo encendido" determina el tiempo en sí que el compresor vacía condensado.

La relación del ciclo del temporizador y del tiempo de apertura del desagüe deberá ajustarse para que se abra justamente durante el tiempo suficientemente largo para descargar el condensado. El temporizador está adecuadamente ajustado cuando se abre y descarga condensado y luego ventila aire durante un segundo aproximadamente antes de cerrarse. Los ajustes pueden realizarse en función de muchos factores, la humedad y el ciclo de trabajo incluidos.

MANTENIMIENTO DEL FILTRO DE AIRE

Con el fin de asegurar la óptima calidad del aire, deberá cambiarse el filtro de aire como se indica a continuación. (Los elementos del filtro usados deberán desecharse de conformidad con las normas locales). Utilizar únicamente elementos de repuesto genuinos de Ingersoll Rand.



DESMONTAJE DE LA UNIDAD

La unidad ha sido concebida y fabricada para garantizar un funcionamiento continuo.

La larga duración en servicio de algunos componentes, tales como el ventilador y el compresor, está en función de un buen mantenimiento.

La unidad sólo deberá ser desmontada por un especialista en refrigeración.

El líquido refrigerante, los componentes de refrigeración y el aceite lubricante en el circuito de refrigeración deben recuperarse de acuerdo con las normas actuales del país en el que esté instalada la máquina.

DESMONTAJE DE RECICLAJE	
Bastidor y paneles	Acero / poliéster de resina epoxidica
Cambiador de calor (refrigerador)	Acero inoxidable
Tuberías	Cobre
Aislamiento	Goma sintética
Compresor	Acero / cobre / aluminio / aceite
Condensador	Aluminio
Refrigerante	R134a
Válvula	Acero

FUGAS DE REFRIGERANTE EN EL CIRCUITO DE REFRIGERACION

La unidad se despacha ya cargada y en perfectas condiciones de trabajo.

Las fugas del refrigerante pueden identificarse al desconectarse el protector de sobrecarga de refrigeración.

SI SE DETECTA UNA FUGA EN EL CIRCUITO DE REFRIGERACION, SOLICITE ASISTENCIA TECNICA.

CARGA DE REFRIGERANTE

ESTA OPERACION SOLO DEBERA REALIZARLA UN ESPECIALISTA EN REFERIGERACION.

CUANDO SE REPARE EL CIRCUITO DE REFRIGERACION, RECOGER TODO EL REFRIGERANTE EN UN RECIPIENTE Y DESECHARLO DE LA MANERA APROPIADA.

CARACTERISTICAS DEL REFRIGERANTE R134A

Bajo condiciones normales de temperatura y presión, el citado refrigerante es un gas incoloro de la clase A1/A1 gas con un valor TVL de 1.000ppm (clasificación de ASHRAE).

Si ocurre una fuga de refrigerante, ventilar bien la sala antes de comenzar trabajo alguno.

LOCALIZACION DE FALLOS

FALLO	CAUSA	ACCION
La válvula de condensado de solenoide no se cerrará.	1. Suciedad que en la válvula de solenoide impide el asiento del diafragma.	1. Retirar la válvula de solenoide, desarmarla, limpiarla y montarla de nuevo.
	2. Cortocircuito en un componente eléctrico.	2. Comprobar y cambiar el cable de corriente o el temporizador, según proceda.
El temporizador de drenaje no funcionará.	1. No hay suministro eléctrico.	1. Aplicar la corriente.
	2. Funcionamiento defectuoso del temporizador	2. Cambiar el temporizador.
	3. Lumbrera obstruida.	3. Limpiar la válvula.
	4 Funcionamiento defectuoso de la válvula de solenoide.	4. Cambiar la válvula de solenoide.
	5. Purificador obstruido.	5. Limpiar el purificador.

MANTENIMIENTO

Limpiar periódicamente el tamiz del interior de la válvula para mantener el desagüe funcionando a máxima capacidad. Para ello, realizar los pasos siguientes:

- 1.Cerrar por completo la válvula esférica del purificador para aislarla del tanque colector del aire.
2. Pulsar el botón de PRUEBA en el temporizador para ventilar la presión remanente en la válvula. Repetir la operación hasta que se haya eliminado toda la presión.

¡PRECAUCION! El aire a alta presión puede ocasionar lesiones a causa de piezas volantes. Cerciorarse de que la válvula esférica del purificador esté completamente cerrada y de que se elimina la presión de la válvula antes de realizar limpieza.

3. Quitar el tapón del purificador utilizando una llave adecuada. Si se oye salir aire de la lumbrera de limpieza, PARAR INMEDIATAMENTE y repetir los pasos 1 y 2.

4. Quitar el tamiz del filtro de acero inoxidable y limpiarlo. Elimina toda suciedad que pueda haber en el cuerpo del purificador antes de montar de nuevo el tamiz del filtro.

5. Montar de nuevo el tapón y apretarlo con la llave.

6. Al volver a poner la Válvula Eléctrica de Vaciado en funcionamiento, pulsar el botón de PRUEBA para confirmar que funciona correctamente.

AVERIA	CAUSA	REMEDIO
El compresor no arranca	No disponible la tensión de la red principal o de control.	§ Comprobar el suministro eléctrico entrante. § Comprobar el fusible del circuito de control.
La máquina se apaga periódicamente e indica un fallo.	Alta temperatura del "airend"	Restablecer el nivel del refrigerante.
	Variación de la tensión de línea fuera de alcance.	§ Asegurarse de que la tensión se encuentre entre los límites de funcionamiento y que no haya fugas de tensión en el suministro, producidas por un equipo externo o una alimentación automática.
Alto consumo de corriente	Compresor funcionando a presión superior a la nominal.	Fijar la presión en el régimen correcto para la máquina.
	Cartucho de separador contaminado.	Cambiar el filtro de aire y el cartucho del separador.
	Baja tensión.	§ Cerciorarse de que la tensión no cae por debajo del 10% al arrancar y del 6% funcionando.
	Tensión desequilibrada.	Tensión correcta del suministro entrante.
	"Airend" dañado	† Cambiar la unidad compresora.
	Filtro(s) de aire comprimido contaminado(s).	Sustituir filtro(s) de aire.
Bajo consumo de corriente	Contaminación del filtro de aire.	Cambiar el filtro de aire.
	Compresor funcionando sin carga.	Fijar la presión en el régimen correcto para la máquina.
	Alta tensión.	Reducir la tensión del sitio hasta la tensión correcta de trabajo.
Alta presión de descarga	Ajuste defectuoso o incorrecto del interruptor de presión.	Cambiar o fijar la presión en el régimen correcto para la máquina.
	Funcionamiento defectuoso de la válvula de admisión.	† Montar el kit de servicio de la válvula de admisión.
Baja presión de aire del sistema	Cartucho de separador contaminado.	Montar nuevo cartucho de separador.
	Ajuste incorrecto del transductor de presión	Fijar la presión en el régimen correcto para la máquina.
	Funcionamiento defectuoso de la válvula de presión mínima.	† Montar el kit de servicio de la válvula de presión mínima.
	Fugas en el sistema de aire.	† Reparar fugas.
	Funcionamiento defectuoso de la válvula de admisión.	† Montar el kit de servicio de la válvula de admisión.
	La demanda del sistema supera la descarga del compresor.	Reducir la demanda o instalar un compresor adicional.
Punto de rocío alto	El compresor de refrigeración no recibe corriente.	Comprobar el suministro eléctrico entrante.
		Comprobar el fusible de protección del secador.
		Comprobar el contacto auxiliar del contactor principal del motor.
	Funcionamiento defectuoso del sistema de condensación.	Comprobar el funcionamiento de la válvula de drenaje.
		Comprobar el funcionamiento de las válvulas de retención de condensación.
Condensador sucio.	Limpiar el condensador y sustituir el elemento del filtro del panel.	
Formación de hielo en el secador	Baja presión del evaporador.	Comprobar el ajuste de la válvula de gas caliente.

NOTAS:

§ Ha de llevarlo a cabo un electricista competente.

† Se recomienda que este trabajo sea realizado únicamente por un técnico de servicio autorizado de Ingersoll Rand.

AVERIA	CAUSA	REMEDIO
El compresor se dispara debido a temperatura excesiva.	El módulo del compresor está operando por encima de la presión de régimen.	Fijar la presión en el régimen correcto para la máquina. 1. Filtros atascados 2. Cartucho de separador atascado 3. Flujo restringido de aire en el secador
	Filtro previo de la unidad atascado.	Limpiar/Cambiar el filtro previo de la unidad.
	Refrigerador atascado.	Limpiar el refrigerador.
	Faltan o están incorrectamente montados los paneles de la envolvente.	Cerciorarse de que todos los paneles de la envolvente estén correctamente contados.
	Bajo nivel del refrigerante.	Restablecer el nivel del refrigerante y comprobar si existen fugas.
	Alta temperatura ambiente.	Cambiar de sitio el compresor.
	Flujo restringido del aire refrigerante.	Asegurar el caudal correcto de aire al compresor.
Consumo excesivo de refrigerante	Fuga del cartucho de separador.	Montar nuevo cartucho de separador.
	Desagüe atascado del cartucho de separador.	† Retirar accesorios y limpiarlos.
	Compresor funcionando a presión inferior a la nominal.	Fijar la presión en el régimen correcto para la máquina.
	Fugas en el sistema de refrigerante.	† Reparar fugas.
Nivel excesivo de ruido	Fugas en el sistema de aire	† Reparar fugas.
	"Airend" defectuoso.	† Cambiar la unidad compresora.
	Motor defectuoso.	† Cambiar el motor.
	Componentes flojos.	† Apretar de nuevo los elementos que estén flojos.
Fugas en el elemento de estanqueidad	Elemento de estanqueidad del eje defectuoso.	† Montar el juego de servicio de juntas de estanqueidad de la unidad compresora.
Se abre la válvula de desahogo de la presión	Transductor defectuoso o ajuste incorrecto del transductor de presión	Cambiar o fijar la presión en el régimen correcto para la máquina.
	Funcionamiento defectuoso de la válvula de presión mínima.	† Montar el kit de servicio de la válvula de presión mínima.
	Funcionamiento defectuoso de la válvula de admisión.	† Montar el kit de servicio de la válvula de admisión.
	Filtro(s) de aire comprimido contaminado(s).	Sustituir filtro(s) de aire.
	Cartucho de separador atascado.	Limpiar/sustituir cartucho de separador.
	Filtros de aire comprimido atascados.	Limpiar/sustituir filtros de aire comprimido.
	Condensado congelado en el secador.	Verificar válvula de circunvalación de aire caliente. Asegurarse de que la temperatura ambiente sea mayor a 2°C (35 °F).

NOTAS:

§ Ha de llevarlo a cabo un electricista competente.

† Se recomienda que este trabajo sea realizado únicamente por un técnico de servicio autorizado de Ingersoll Rand.

